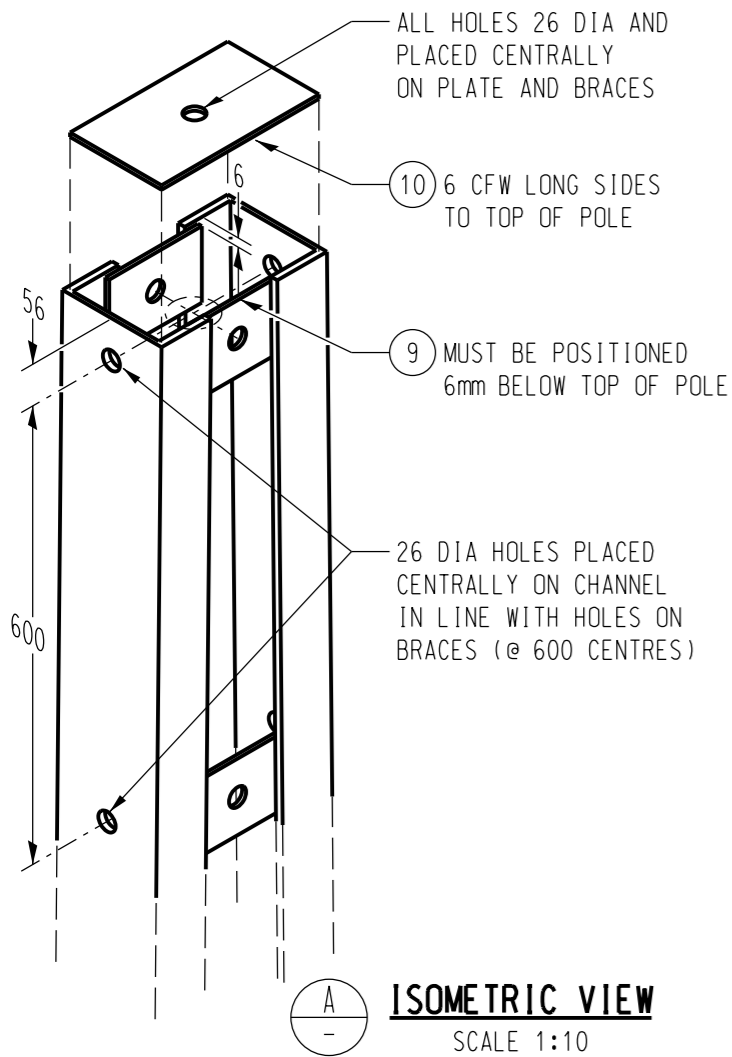


LINE POLE 12.0B TOTAL MASS 600KG - ITEM NUMBER: 298455
LINE POLE 12.0B HD GALVANISED - ITEM NUMBER: 501240
LINE POLE 12.0C TOTAL MASS 750KG - ITEM NUMBER: 299115
LINE POLE 12.0C HD GALVANISED - ITEM NUMBER: 501241

NOTES:

- TOP PLATE AND BASE PLATE DO NOT FORM PART OF THE OVERALL DIMENSION.
- BRACES AND GROUND PLATE TO BE WELDED ON INSIDE OF POLE AND TO HAVE 22mm MIN OVERLAP. ANTI-CLIMBING PLATE TO BE WELDED ON OUTSIDE OF POLE.
- ALL WELDS TO BE 6mm FILLET CONTINUOUS WELD EXCEPT ANTI-CLIMBING PLATE WHICH IS TO HAVE 6mm FILLET 150mm LONG AT BOTH ENDS AND CENTRE.
- ALL ROUGH OR BURRED EDGES ARE TO BE DRESSED CLEAN.
- STEEL TO BE GRADE 300 PLUS, REFER TO BHP 1999 HOT ROLLED STRUCTURAL STEEL PRODUCTS.
- PFC DIMENSIONS ARE TO AS 3679.
- WELDING TO COMPLY WITH AS 1554.
- TOLERANCES TO DIMENSIONS OVER 5m IS +/- 5mm.
- EACH POLE IS TO BE ENGRAVED WITH THE SIZE, TARE WEIGHT, FABRICATORS NAME AND MONTH AND YEAR OF FABRICATION.
- ENGRAVING SHALL BE IN LETTERS NO LESS THAN 10mm HIGH AND 0.05mm DEEP AND POSITIONED ON THE FIRST GUSSET PLATE ABOVE GROUND LEVEL.



ITEM	QTY 12B	QTY 12C	DESCRIPTION	ITEM NUMBER
14	AR	AR	M12 FLAT WASHER	400832
13	AR	AR	M12x40 BOLT AND NUT ASSEMBLY	503669
12	3	3	14ø PREDRILLED HOLE
11	-	1	238 x 188 x 6 FMS, TOP PLATE 26 DIA HOLE
	1	-	238 x 138 x 6 FMS, TOP PLATE 26 DIA HOLE
10	2	2	140 x 100 x 10 FMS, TOP BRACE 26 DIA HOLE
9	6	6	220 x 150 x 10 FMS, BRACE 26 DIA HOLE
8	8	8	260 x 150 x 10 FMS, BRACE 26 DIA HOLE
7	4	4	310 x 150 x 6 FMS, MID BRACES
6	2	2	300 x 1500 x 6 FMS, ANTI-CLIMBING PLATE
5	6	6	380 x 150 x 6 FMS, BRACES UNDER A/CL PLATE
4	2	2	400 x 300 x 6 FMS, GROUND PLATE
3	4	4	430 x 150 x 6 FMS, FOOTING BRACES
2	1	1	550 x 100 x 6 FMS, BASE PLATE
1	-	2	200 x 75 PFC, 12m LONG
	2	-	150 x 75 PFC, 12m LONG

NO	DESCRIPTION	DRN	DATE	CKD	APPD
7	TITLEBLOCK & DRAWING NUMBER FORMATTED, GALVANISED ITEMS ADDED	K.T.	MAR'19	C.C.	C.C.
6	ITEM 6 THICKNESS AMENDED	P.H.	OCT'17	I.B.	B.C.
5	POLE MASS, ITEM 13 & 14 ADDED. NOTE 9 AMENDED, ITEM 6 AND 12 AMENDED, 13ø HOLE FOR PADLOCK REMOVED	A.T.	MAR'16	I.B.	A.T.
4	ANTICLIMB PLATE EXTENDED	J.C.	JUN'09	A.T.	S.C.
3	13ø HOLES FOR PADLOCK ADDED	K.I.	OCT'05	C.C.	C.C.
2	M12 X 40 LONG GALVANISED BOLTS ITEM 12 ADDED	A.S.	MAY'05	M.B.	M.B.
1	TITLE CHANGED TO 12B & 12C, STOCK CODE FOR 12C ADDED	A.S.	APR'01	M.B.	F.R.R.
0	ISSUED FOR CONSTRUCTION	A.S.	APR'01	M.B.	F.R.R.

PowerWater
NORTHERN TERRITORY

DES M. BOCK
DRN R. INNES
CKD M. BOCK
APPD F. ROBSON
SCALE 1:40
ISSUED APR '00
ALL DIM. IN mm

POWER STANDARD DRAWING

**POLES
LINE 12B & 12C
BOLTED CONNECTIONS TYPE**

A3 DRAWING NUMBER **S01-01-01-09**

DRAFTING STANDARD TO A.S.1100 CAD PRODUCT - DO NOT AMEND MANUALLY

AMDT