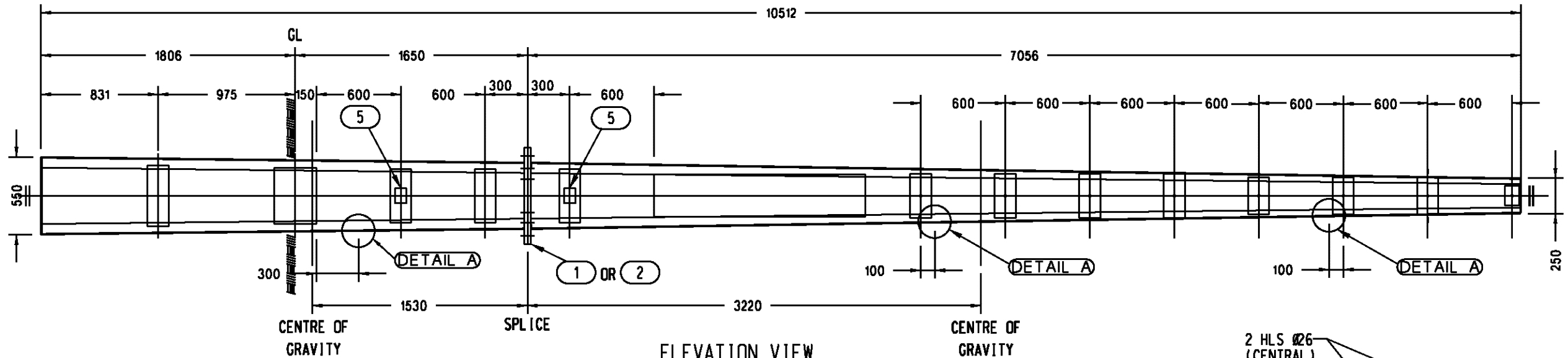


**TWO PIECE SPLICED POLE 10.5B - ITEM NUMBER : 503619**

TOTAL MASS 10.5B - TOP - 379Kg  
 TOTAL MASS 10.5B - BOTTOM - 197Kg

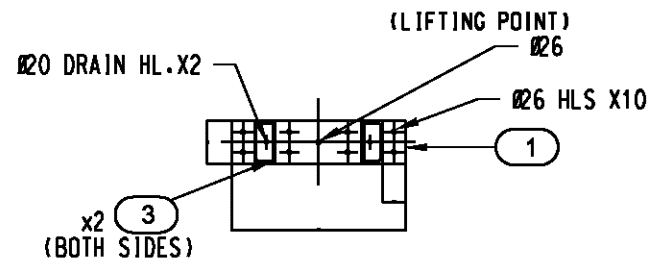
**TWO PIECE SPLICED POLE 10.5C - ITEM NUMBER : 503624**

TOTAL MASS 10.5C - TOP - 466Kg  
 TOTAL MASS 10.5C - BOTTOM - 242Kg

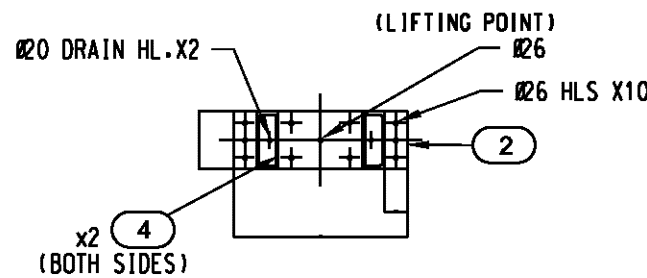


**ELEVATION VIEW**  
 NOT TO SCALE

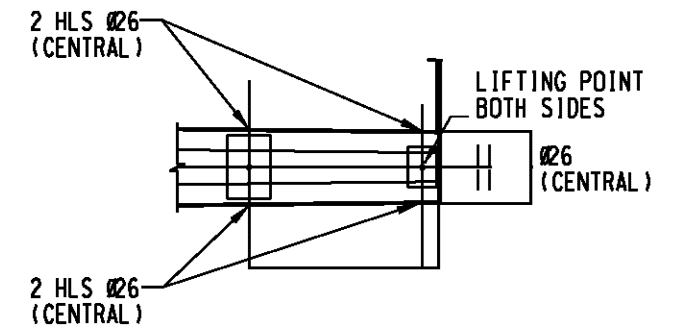
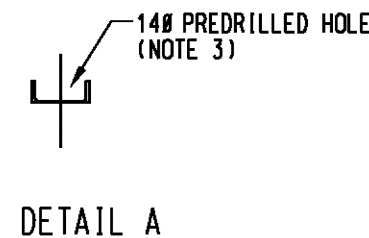
- ITEM 5 POLE DATA PLATE DETAILS**
- XXX ← FABRICATOR'S NAME
  - 01 - 15 ← MONTH AND YEAR OF FABRICATION
  - 12B ← POLE SIZE
  - 1001B ← UNIQUE SECTION IDENTIFIER SEQUENCE (#####T OR #####B)
  - 202 KG ← SECTION'S TIER WEIGHT



**ITEM 1 SPLICED DETAIL FOR 10.5B**



**ITEM 2 SPLICED DETAIL FOR 10.5C**



**TYPICAL DETAIL FOR WEB PLATE WITH PREDRILLED HOLES**

**NOTES:**

1. CENTRE OF GRAVITY / LIFTING POINT SHALL BE MARKED ON EACH SECTION.
2. TWO PIECE SPLICED POLE IS NOT THE PREFERRED OPTION FOR GREENFIELD SITES.
3. 14Ø PREDRILLED HOLE FOR EARTH BOND AND NEUTRAL BOND TERMINATION.
4. REFER TO S01-02-01-69 FOR INSTALLATION DETAILS.
5. APPLICATION OF THIS POLE IS RESTRICTED FOR INTERNAL POWER NETWORKS USE ONLY. FOR OTHER APPLICATIONS AND APPROVALS, CONTACT POWER NETWORKS STANDARDS.

ITEM	QTY. 10.5B	QTY. 10.5C	MATERIAL DESCRIPTION
1	2	-	602 x 150 x 25 FMS. FLANGE PLT. 26 DIA HOLES
2	-	2	602 x 200 x 25 FMS. FLANGE PLT. 26 DIA HOLES
3	4	-	128 x 200 x 8 FMS. STIFFENER PLT.
4	-	4	174 x 200 x 8 FMS. STIFFENER PLT.
5	2	2	POLE DATA NAMEPLATE

1	TITLEBLOCK & DRAWING NUMBERS FORMATTED	K.T.	DEC '18	C.C.	C.C.
0	ISSUED FOR CONSTRUCTION	J.NOY	FEB '16	A.TAY	I.BAS
NO	DESCRIPTION	DRN	DATE	CKD	APPD
AMENDMENTS					



DES	J.NOYNAY	POWER STANDARD DRAWING	
DRN	A.TAYLOR	TWO PIECE SPLICED POLE LINE 10.5B AND 10.5C BOLTED CONNECTIONS TYPE	
CKD	I.BASHIR		
APPD	AS SHOWN	A3	DRAWING NUMBER S01-01-01-31
SCALE	FEB '16		
ISSUED	mm	DRAWING NUMBER S01-01-01-31	
ALL DIM. IN	mm		
DRAFTING STANDARD TO A.S.1100		CAD PRODUCT - DO NOT AMEND MANUALLY	

