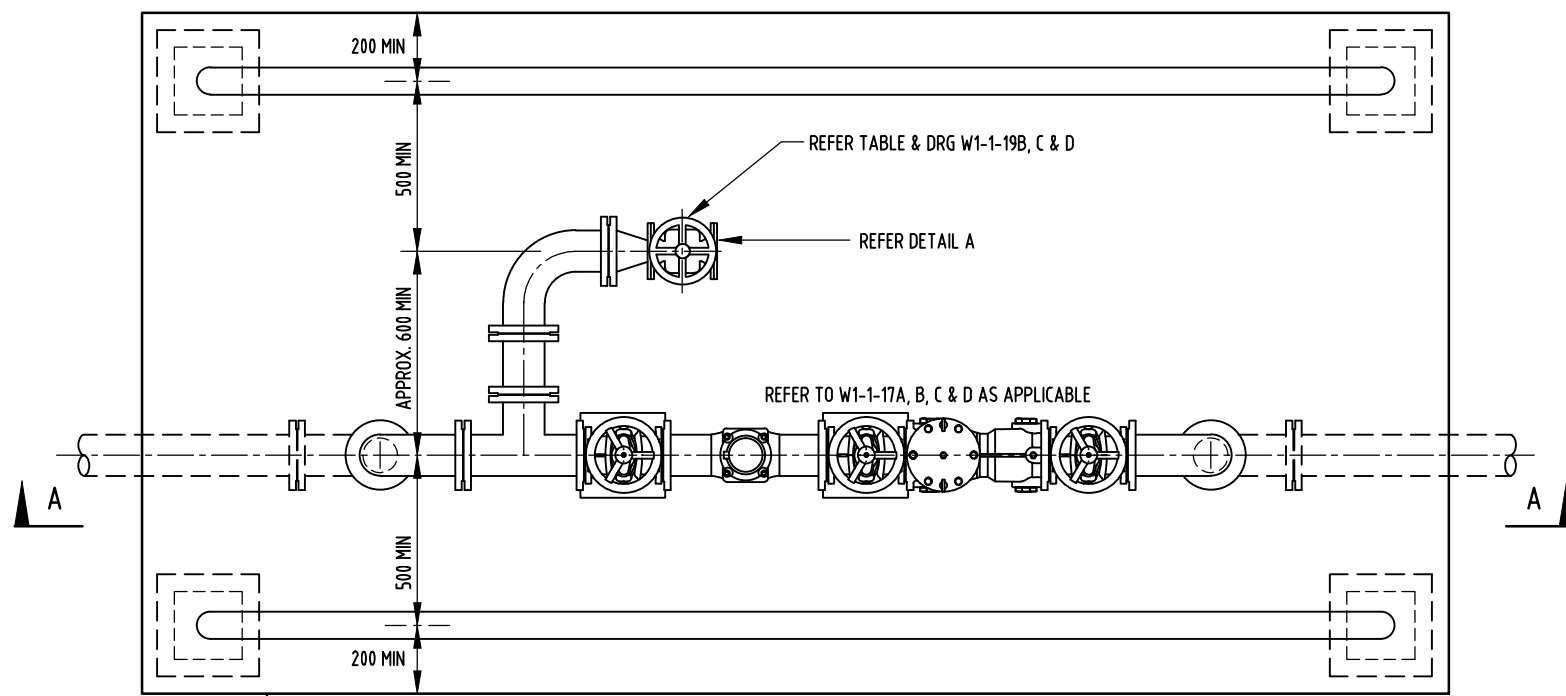
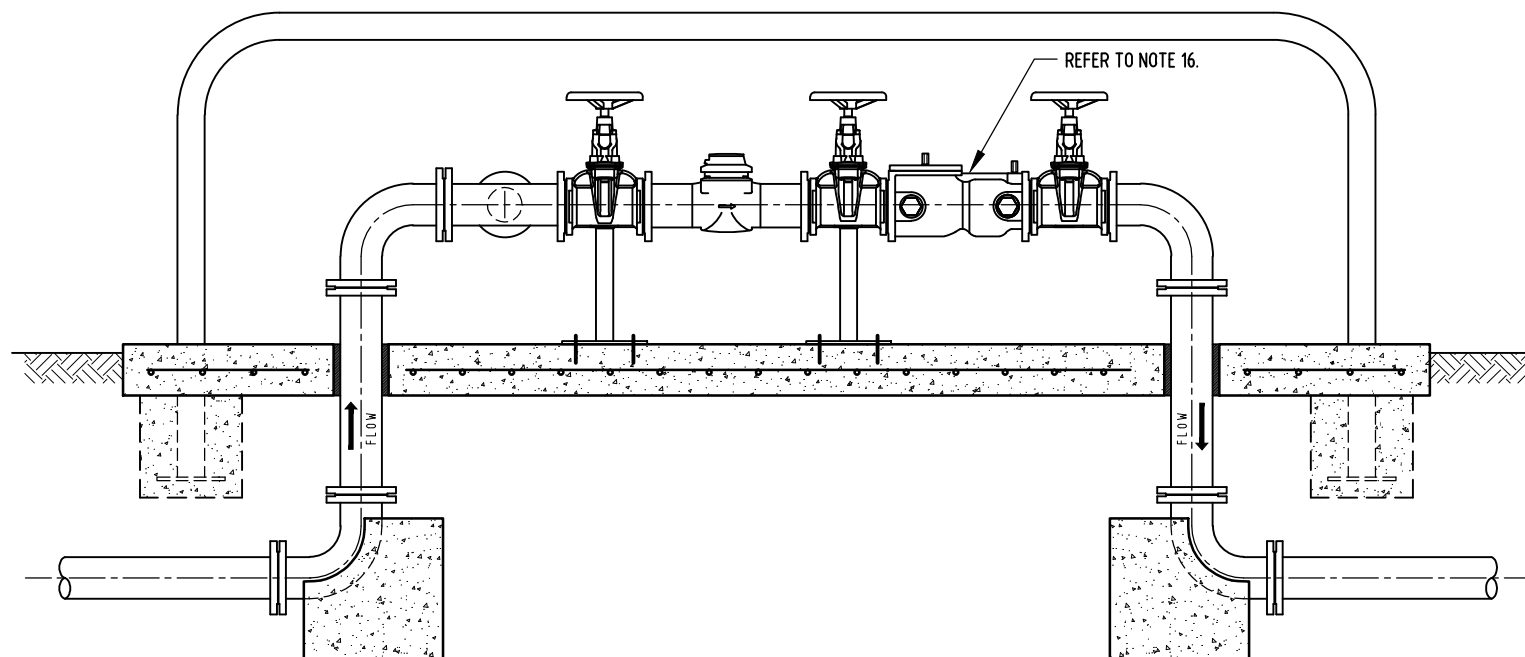


FOR POTABLE WATER ONLY

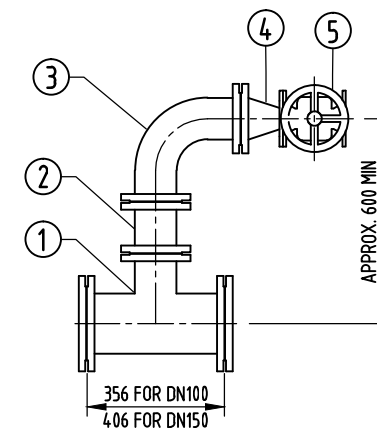


REFER TO W1-1-17A, B, C & D AS APPLICABLE FOR SLAB DETAILS.

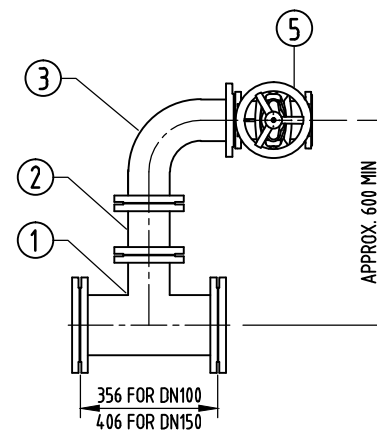
PLAN



ELEVATION A-A



DETAIL A - DN50



DETAIL A - DN100

NOTES:

- FIRE HOSE REELS TO BE CONNECTED TO DOMESTIC SUPPLY, EXCEPT WHERE DN20 DOMESTIC METER INSTALLED AND FIRE HOSE REELS NOT PERMITTED.
- ONLY AUTOMATIC SPRINKLER SYSTEMS TO AS2118 AND/OR HYDRANTS TO AS2419 TO BE CONNECTED TO FIRE SERVICE. A TESTABLE SPRING LOADED SINGLE CHECK VALVE IS TO BE INSTALLED. THE INSTALLING PLUMBER MUST REFER TO AND COMPLY WITH THE REQUIREMENTS OF AS3500.1.
- COPPER ALLOY SHALL BE DESINCIFICATION RESISTANT (DR) TO AS2345.
- USE SILVER BRAZING ALLOY (MIN 2% SILVER TO AS1167.1) FOR ALL CAPILLARY JOINTING OF COPPER PIPES AND FITTINGS.
- DUCTILE IRON VALVES AND DUCTILE IRON FITTINGS TO BE INTERNALLY AND EXTERNALLY COATED WITH THERMAL BONDED POLYMER. ALL ABOVE GROUND DUCTILE IRON FITTINGS MUST BE EPOXY COATED IN (RILSAN) BLUE.
- ISOLATION/STOP VALVES SHALL BE APPROVED RESILIENT SEATED GATE VALVES FITTED WITH HANDWHEELS. BALL VALVES SHALL BE WATER MARK APPROVED, OR WATERMARK APPROVED STAINLESS STEEL BALL VALVES THAT ARE ABLE TO BE LOCKED IN THE OPEN POSITION.
- BACKFLOW ASSEMBLY MAY BE FITTED WITH BALL VALVES WITH LOCKABLE HANDLES OR BUTTERFLY VALVES WITH LOCKABLE HANDLES. HANDLES TO BE ABLE TO BE LOCKED IN OPEN POSITION.
- FOR DETAILS OF APPROVED PRODUCTS USED ON THIS DRAWING, REFER TO WATER AND SEWERAGE INFRASTRUCTURE PRODUCTS MANUAL.
- USE GALVANISED M16 BOLTS (GRADE 4.6 OR GRADE 8.8) WITH GALVANISED WASHERS UNDER BOLT HEAD AND NUT TO FASTEN ABOVE GROUND FLANGES.
- WHERE APPLICABLE, WRAP BURIED DUCTILE IRON PIPE OR FITTINGS WITH POLYETHYLENE SLEEVING (REFER DRAWINGS W1-2-17A AND W1-2-17B).
- WHERE ROUND AND OTHER-SHAPED FLANGES ARE MIXED, THE GASKET SHAPE IS TO MATCH SMALLEST FLANGE FACE.
- WHEN POURING CONCRETE AGAINST FITTINGS, PLACE GEOTEXTILE MATERIAL BETWEEN FITTING AND CONCRETE TO PREVENT DAMAGE TO THE FITTING. JOINTS MUST BE CLEAR OF CONCRETE.
- IF THE METER ASSEMBLY IS ADJACENT TO A WALL OR PROPERTY BOUNDARY, THE FIRE SERVICE BRANCH AND VALVE SHALL BRANCH IN THE DIRECTION AWAY FROM THE WALL OR PROPERTY BOUNDARY.
- REFER W1-1-20 AND W1-1-30 FOR LAYOUT ALTERNATIVES.
- TO INSERT BRANCH FOR DUAL METER, ARRANGE ISOLATION OF SERVICE WITH PWC INCLUDING PAYMENT OF APPLICABLE FEES.
- IF A MEDIUM OR HIGH HAZARD ASSESSMENT IS MADE THEN, PROVIDE A RECOMMENDATION TO PWC. A HYDRAULIC ASSESSMENT OF THE OF THE FIRE SERVICES MUST BE COMPLETED TO ENSURE FIRE REQUIREMENTS ARE NOT COMPROMISED.

ITEM	DESCRIPTION	FIRE METER SIZE		NOTES
		DN100	DN150	
1	DN100 EQUAL DI FLANGED TEE DN150/DN100 REDUCING DI FLANGED TEE	1	-	
2	DN100 HYDRANT RISER / FLANGED EXTENSION	150	150	
3	DN100 FLANGED DI BEND	1	1	
4	DN100/DN50 DI TAPER NOT APPLICABLE	1	1	FOR DN50 DOMESTIC METER FOR DN100 DOMESTIC METER
5	DN25 M/F SS BALL VALVE WITH LOCKABLE HANDLE DN25 M/F SS BALL VALVE WITH LOCKABLE HANDLE DN40 M/F SS BALL VALVE WITH LOCKABLE HANDLE DN50 FLANGE-FLANGE DI RESILIENT SEATED VALVE DN100 FLANGE-FLANGE DI RESILIENT SEATED VALVE	1 1 1 1 1	1 1 1 1 1	FOR DN20 DOMESTIC METER FOR DN25 DOMESTIC METER FOR DN40 DOMESTIC METER FOR DN50 DOMESTIC METER FOR DN100 DOMESTIC METER

NO	DESCRIPTION	DRN	DATE	CKD	APPD
5	GENERAL AMENDMENTS 2020.	PW	JULY'20	JR	DC
4	TITLE CHANGED.	AW	NOV'18	JR	DC
3	GENERAL UPDATE.	AW	JUNE'18	JR	DC
2	NOTES 1 & 6 MERGED, NOTE 8 & 16 ADDED, NOTE 2 MODIFIED.	AJM	MAR'11	RJ	RJ
1	PROFILE TO MATCH W1-1-17A.	RGI	JUL'03	RJ	RJ
AMENDMENTS					



DES	RJ	WATER STANDARD DRAWING		
DRN	RI	SERVICES		
CHK	MS	DUAL METER ARRANGEMENT DN100/150 (FIRE SERVICE) AND DOMESTIC (VARIOUS) METER CONNECTIONS		
APPD	JP	A3	DRAWING NUMBER	W1-1-19A
SCALE	N.T.S.			
ISSUED	NOV'08	DRAWING NUMBER		5
ALL DIM. IN mm		DRAWING NUMBER		AMDT
DRAFTING STANDARD TO A.S.1100		CAD PRODUCT - DO NOT AMEND MANUALLY		