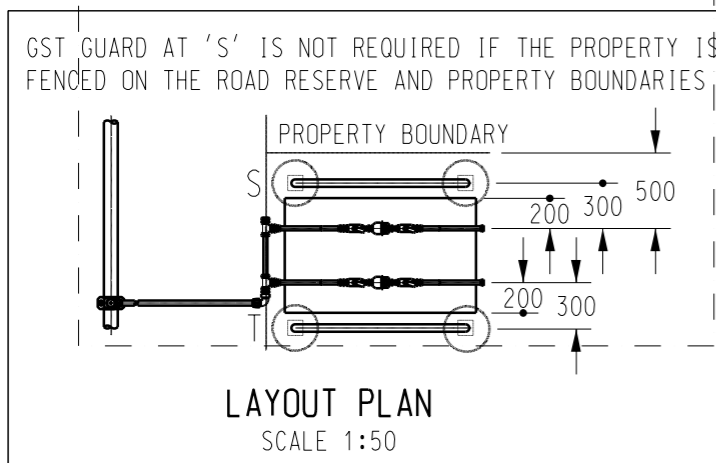
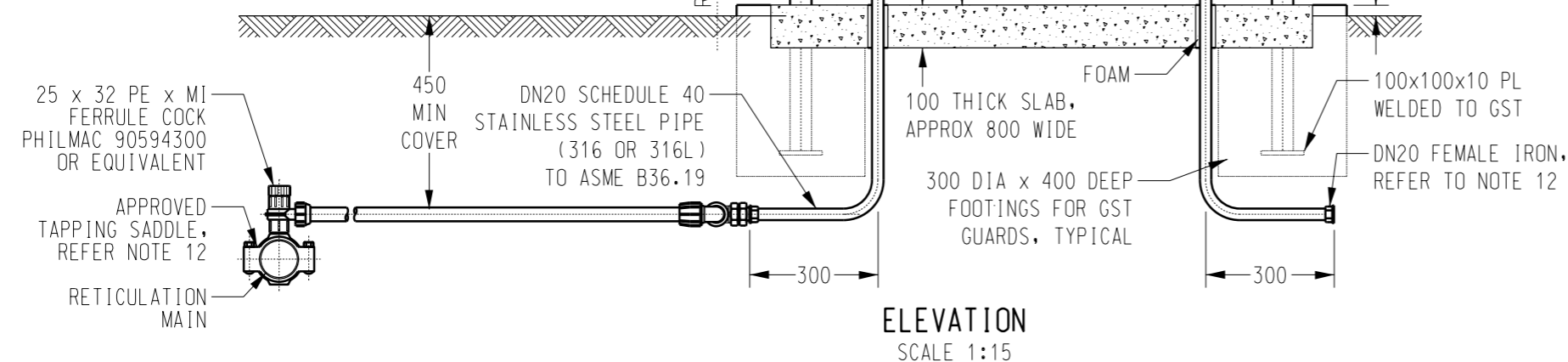


PLAN
SCALE 1:15
SLAB AND GST GUARDS NOT SHOWN,
REFER TO LAYOUT PLAN



LAYOUT PLAN
SCALE 1:50



ELEVATION
SCALE 1:15

NOTES

1. ALL DIMENSIONS IN MILLIMETRES UNLESS NOTED OTHERWISE.
2. PE80B OR PE100 PE PIPE IN BLACK WITH BLUE STRIPES SHALL BE CLEARLY MARKED TO AS4130
3. COPPER ALLOY SHALL BE DEZINCIFICATION RESISTANT (DR) TO AS 2345.
4. ONLY POWER AND WATER (OR ITS AUTHORISED CONTRACTORS) ARE PERMITTED TO TAP EXISTING, IN-SERVICE (LIVE) MAINS OR MAINS THAT HAVE BEEN HYDROSTATICALLY TESTED. WITHIN LICENSED AREAS AND UPON PAYMENT OF THE NECESSARY FEES, POWER AND WATER WILL PERFORM TAPPING OF LIVE MAINS, HOWEVER, EXCAVATION, ALL MATERIALS AND INSTALLATION SHALL BE SUPPLIED BY THE CONTRACTOR.
5. IDENTIFY EACH PROPERTY OFFTAKE WITH A 50 x 50 x 2 ALUMINIUM PLATE IDENTIFICATION TAG WITH PROPERTY NUMBER STAMPED IN 10 mm HIGH LETTERS. WIRE TAG TO METER TAP WITH 3 mm GALVANISED WIRE.
6. A BACKFLOW CERTIFIED PLUMBER IS REQUIRED TO DETERMINE THE RISK OF CONTAMINATION OF THE POTABLE WATER SUPPLY DUE TO CROSS CONNECTIONS AND WHERE MEDIUM HAZARD AND HIGH HAZARD RISKS ARE IDENTIFIED (REFER AS/NZS3500), PROVIDE APPROPRIATE BACKFLOW DEVICES.
7. FOR DETAILS OF APPROVED PRODUCTS USED ON THIS DRAWING, REFER TO THE WATER AND SEWERAGE INFRASTRUCTURE PRODUCTS MANUAL.
8. ON COMPLETION OF WATER SERVICE, PROVIDE BRASS PLUG FITTED TO METER TAP OUTLET.
9. WHERE SEPARATE BACKFLOW DEVICES ARE FITTED BY A BACKFLOW CERTIFIED PLUMBER IN ACCORDANCE WITH NOTE 6 ABOVE, WATER METERS DO NOT REQUIRE INTEGRAL DUAL CHECK VALVES.
10. PE PIPES AND FITTINGS SHALL NOT BE USED IN AREAS CONTAMINATED OR EXPECTED TO BE CONTAMINATED BY PETROLEUM BASED PRODUCTS, SUCH AS SOLVENT FOR TERMITE/PEST CONTROL TREATMENT OR PAINT.
11. ACID PICKLE / PASSIVATE COMPLETE STAINLESS STEEL ASSEMBLY AFTER WELDING.
12. FOR NEW RETICULATION MAINS, INSTALL PRE-TAPPED CONNECTOR (REFER TO W1-1-23A) IN LIEU OF TAPPING BAND.

1	NOTES 6 & 9 AMENDED, PLAN AMENDED.	AJM	MAR'11	R.J.	R.J.
NO	DESCRIPTION	DRN	DATE	CKD	APPD
AMENDMENTS					



DES	R.JENNINGS	WATER STANDARD DRAWING			
DRN	R.INNES	SERVICE - DN20			
CKD	R.JENNINGS	POLYETHYLENE WATER SERVICE			
APPD	J.PUDNEY	ABOVE GROUND METERS FOR DUPLEX			
SCALE	1:15	A3	DRAWING NUMBER	W1-1-25	
ISSUED	APR'07				
ALL DIM.	IN mm				
DRAFTING STANDARD TO A.S.1100		CAD PRODUCT - DO NOT AMEND MANUALLY		AMDT	