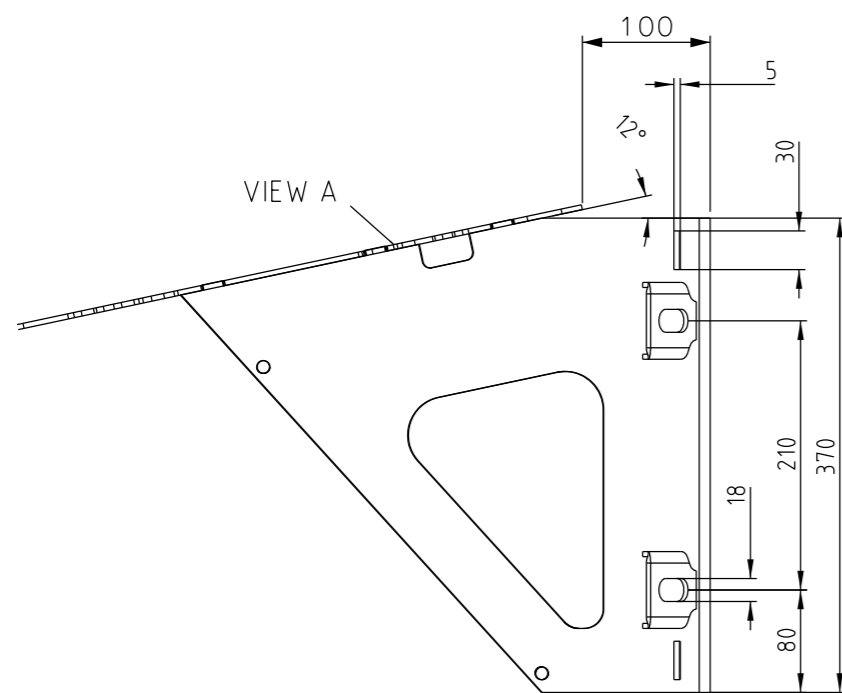
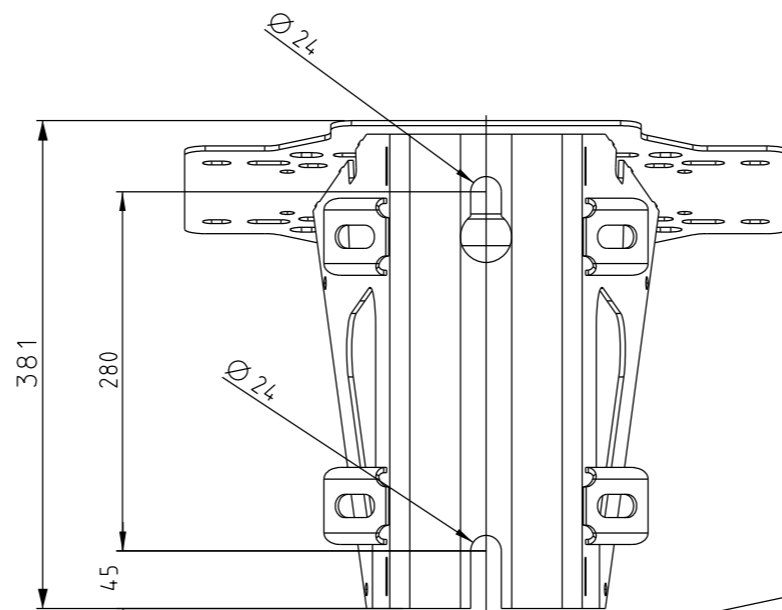


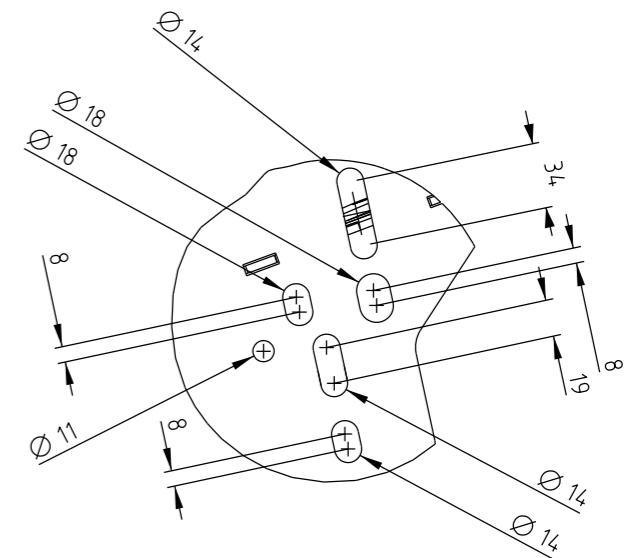
ISOMETRIC VIEW



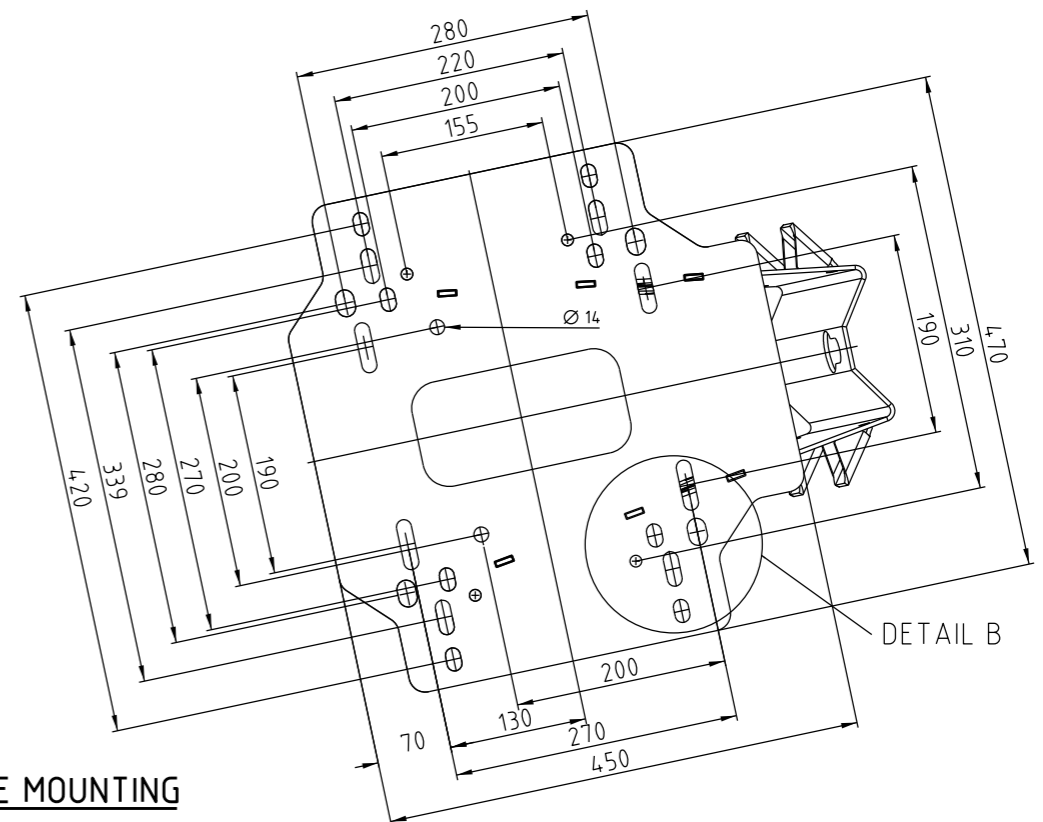
SIDE VIEW



VIEW 'A'



DETAIL 'B'



REAR VIEW

ITEM 1: ADAPTOR BRACKET - POLE MOUNTING

(N.T.S)  
 SUPPLIED AS PART OF NOJA RECLOSER KIT  
 REFER TO S01-02-07-12  
 KIT ITEM NUMBER: 501806

NOTES:

- BRACKETS TO BE HOT DIPPED GALVANISED TO AS 4680. MINIMUM LOCAL COATING THICKNESS 70 MICRON
- BRACKETS TO BE CONSTRUCTED FROM GRADE 250 STEEL.
- ITEM 1 TO BE CONSTRUCTED FROM 4mm PLATE STEEL

REFERENCE DRAWINGS AND DOCUMENTS	
DRAWING REF.	DRAWING TITLE
S01-01-09-04	11kV VOLTAGE TRANSFORMER
S01-01-09-05	22kV VOLTAGE TRANSFORMER

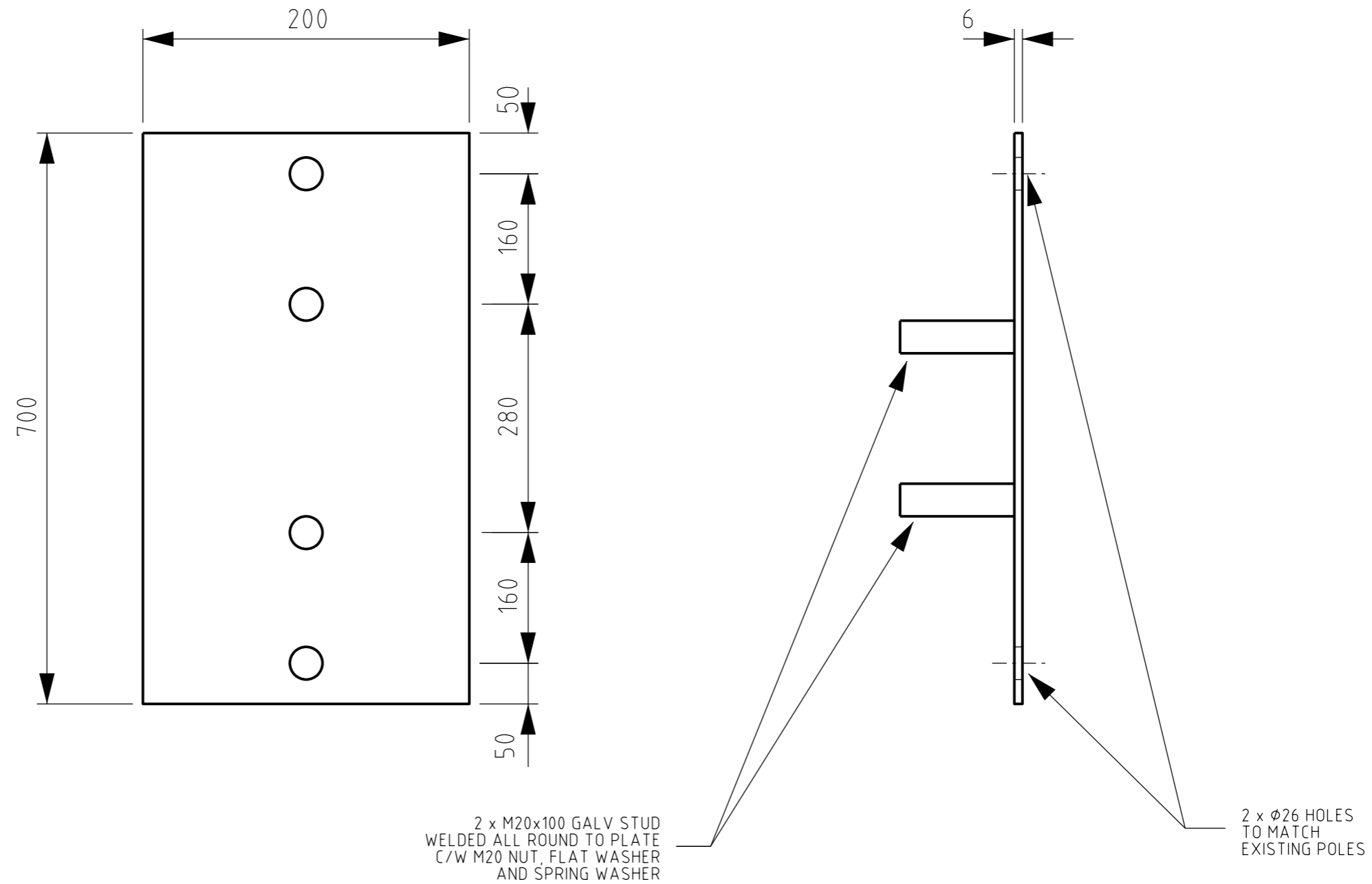
NO	DESCRIPTION	DRN	DATE	CKD	APPD
1	CONSOLIDATED SHEETS 1, 2 & 3. RENUMBERED SHEET 4 TO 2. CHANGED ITEM 2 ITEM NUMBER ISSUED FOR CONSTRUCTION	A.N.	OCT'21	A.N.	B.V.
0		A.N.	NOV'20	B.V.	B.C.
AMENDMENTS					



DES	PWC
DRN	A. NATHAN
CKD	B. VANDERSTELT
APPD	B. CHEUNG
SCALE	NTS
ISSUED	NOV'20
ALL DIM. IN	mm
DRAFTING STANDARD TO A.S.1100	

POWER STANDARD DRAWING	
11 & 22kV VOLTAGE TRANSFORMER MOUNTING BRACKETS (SHEET 1 OF 2)	
A3	DRAWING NUMBER S01-01-04-57_1
CAD PRODUCT - DO NOT AMEND MANUALLY	





**ITEM 2: BRACKET - POLE MOUNTING**

(N.T.S)  
ITEM NUMBER: 412639

REFERENCE DRAWINGS AND DOCUMENTS	
DRAWING REF.	DRAWING TITLE
S01-01-09-04	11kV VOLTAGE TRANSFORMER
S01-01-09-05	22kV VOLTAGE TRANSFORMER

1	RENUMBERED FROM S01-01-04-57_4. REFORMATTED TEXT.	A.N.	OCT'21	A.N.	B.V.
0	ISSUED FOR CONSTRUCTION	A.N.	NOV'20	B.V.	B.C.
NO	DESCRIPTION	DRN	DATE	CKD	APPD
AMENDMENTS					



DES	PWC	POWER STANDARD DRAWING		
DRN	A. NATHAN	11 & 22kV VOLTAGE TRANSFORMER MOUNTING BRACKETS (SHEET 2 OF 2)		
CKD	B. VANDERSTELT			
APPD	B. CHEUNG			
SCALE	NTS			
ISSUED	NOV'20	A3	DRAWING NUMBER	S01-01-04-57_2
ALL DIM.	IN mm			
DRAFTING STANDARD TO A.S.1100		CAD PRODUCT - DO NOT AMEND MANUALLY		1 AMDT