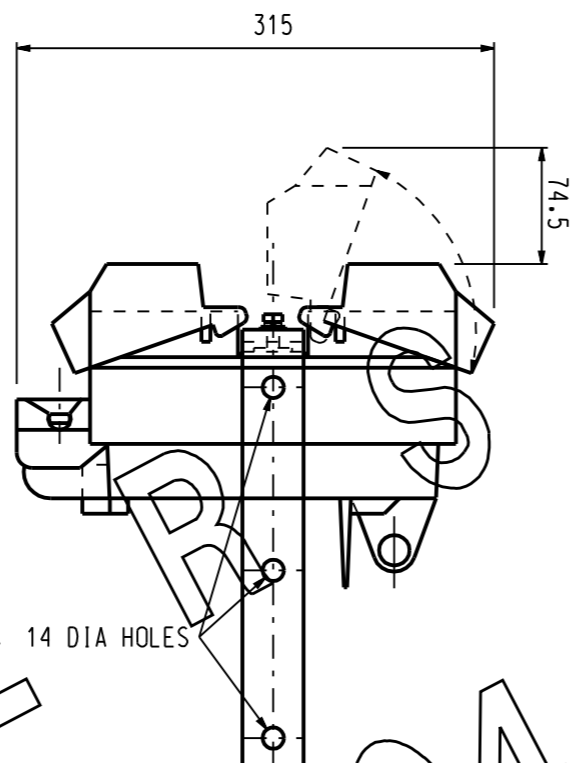
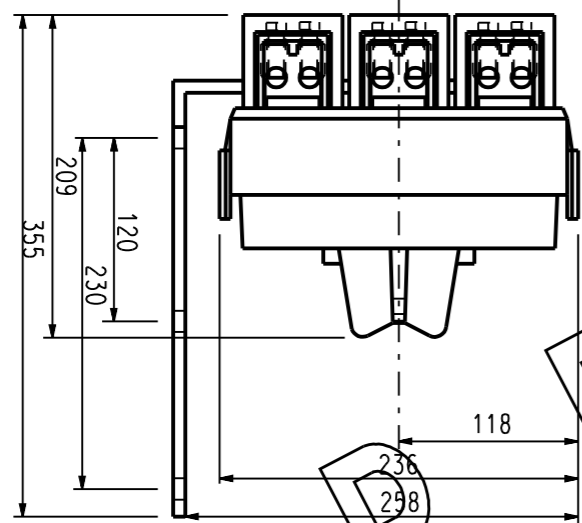


40 X 8 MS FLAT BAR
MOUNTING BRACKET
REFER NOTE 1.



ITEM 1 SWITCH LV COMBINATION ISOLATOR/FUSE 400 A
(ITEM NUMBER XXXXXX)

ITEM	ITEM No.	DESCRIPTION
2	YYYYYY	CARTRIDGE STRIPLE FUSE 400 A FAST ACTING 500 V AC SIZE 1 DIN 43-620
3	ZZZZZZ	LINK BLADE 400 A 500 V AC SIZE 1 DIN 43-620

NOTES:

- UNIT TO BE SUPPLIED WITH GALVANIZED MOUNTING BRACKET. REFER TO DRAWING S01-01-04-31 FOR ALTERNATIVE BRACKET FOR CROSSARM MOUNTING.
- ISOLATOR RATING- 400 AMPS WITH LINK BLADES
- 630 AMPS WITH FUSES
- UNIT SHALL BE FITTED WITH M12 STUD TO TERMINATE LUGGED CABLES. THE CABLE BOX SHALL BE CAPABLE OF ACCEPTING TWIN 95SQMM XLPE CABLES.
- UNIT SHALL INCLUDE FUSE/LINK PRESENCE INDICATORS BUT NOT BLOWN FUSE NEON INDICATORS.
- UNIT SHALL ACCEPT SIZE 1 OR SIZE 2 FUSES/LINKS.
- FUSE SWITCH DISCONNECTORS SHALL COMPLY WITH AS3947.3
- UTILIZATION CATEGORY IS AC-22B

1	TITLEBLOCK & DRAWING NUMBER FORMATTED	K.T.	JAN'20	C.C.	C.C.
0	ISSUED FOR CONSTRUCTION	A.T.	JUL'12	B.N.	B.C.
NO	DESCRIPTION	DRN	DATE	CKD	APPD
AMENDMENTS					



DES	A. TAYLOR	POWER STANDARD DRAWING		
DRN	A. TAYLOR	SWITCHGEAR		
CKD	B. CHEUNG	LV-ABC		
APPD	B. CHEUNG	COMBINATION 400 AMP		
SCALE	1:5	FUSE-SWITCH-DISCONNECTOR		
ISSUED	JULY '12	A3	DRAWING	S04-01-03-07
ALL DIM.	IN mm		NUMBER	
DRAFTING STANDARD TO A.S.1100		CAD PRODUCT - DO NOT AMEND MANUALLY		1 AMDT