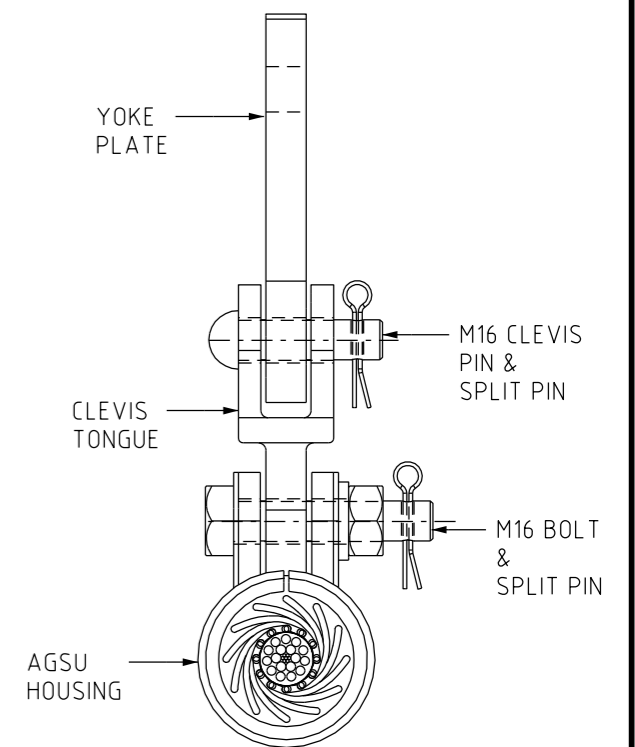
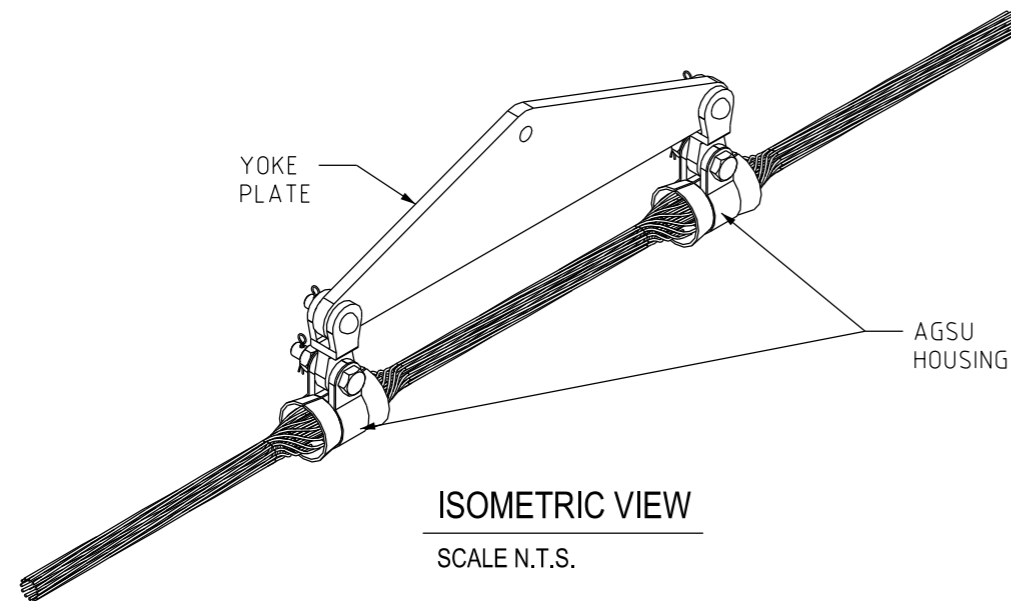


**SIDE VIEW**  
SCALE 1:3



**FRONT VIEW**  
SCALE 1:3



**ISOMETRIC VIEW**  
SCALE N.T.S.

**NOTES:**

1. TO BE USED FOR ANGLES BETWEEN 30° - 60°. FOR ANGLES 0° - 30°, REFER TO DWG S01-01-04-04.
2. DOUBLE AGSU TO BE SUPPLIED WITH BOLTS, NUTS, SPLIT PINS, RODS, STRAPS & HOUSING.
3. CLEVIS TONGUE TO BE SUPPLIED WITH BOLT, NUT & SPLIT PIN.

DOUBLE ARMOUR GRIP SUSPENSION UNIT			YOKE PLATE	CLEVIS TONGUE
ITEM REF	CONDUCTOR	DOUBLE AGSU ITEM NUMBER	ITEM NUMBER	ITEM NUMBER 2X REQUIRED
1	RAISAN	239806	504894	504910
2	LIBRA FLUORINE APPLE	286617	504894	504910
3	MARS BANANA	504888	504894	504910
4	MERCURY HYDROGEN SC/GZ 19/2.75 RHL	504889	504894	504910
5	CHERRY	239798	504894	504910
6	GRAPE	504890	504895	504910
7	PLUTO NEON	504891	504895	504910
8	LEMON	504899	504895	504910
9	LIME DIVING	504892	504896	504910
10	MANGO	504893	504897	504910

0	ISSUED FOR CONSTRUCTION	P.BH.	JUN'22	B.V.	B.C.
NO	DESCRIPTION	DRN	DATE	CKD	APPD
AMENDMENTS					



DES	B. VANDERSTELT	POWER STANDARD DRAWING		
DRN	P. BHATTARAI	ASSEMBLIES, DOUBLE ARMOUR GRIP SUSPENSION UNIT (AGSU) COMPLETE WITH YOKE PLATE		
CKD	B. VANDERSTELT			
APPD	B. CHEUNG			
SCALE	AS SHOWN			
ISSUED	JUNE 1992	A3	DRAWING NUMBER	S01-02-01-75
ALL DIM.	IN mm	CAD PRODUCT - DO NOT AMEND MANUALLY		AMDT
DRAFTING STANDARD TO A S 1100				