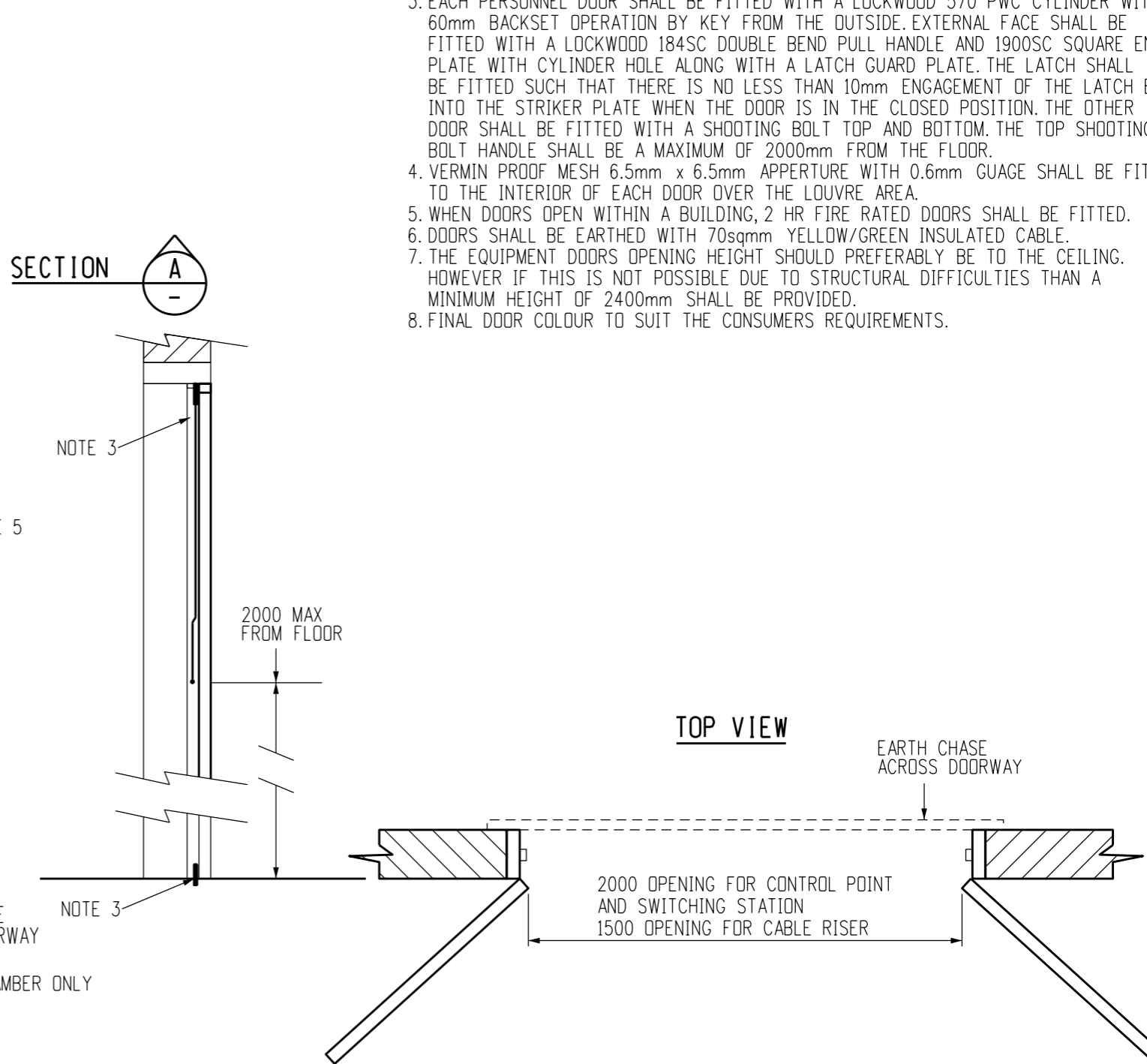
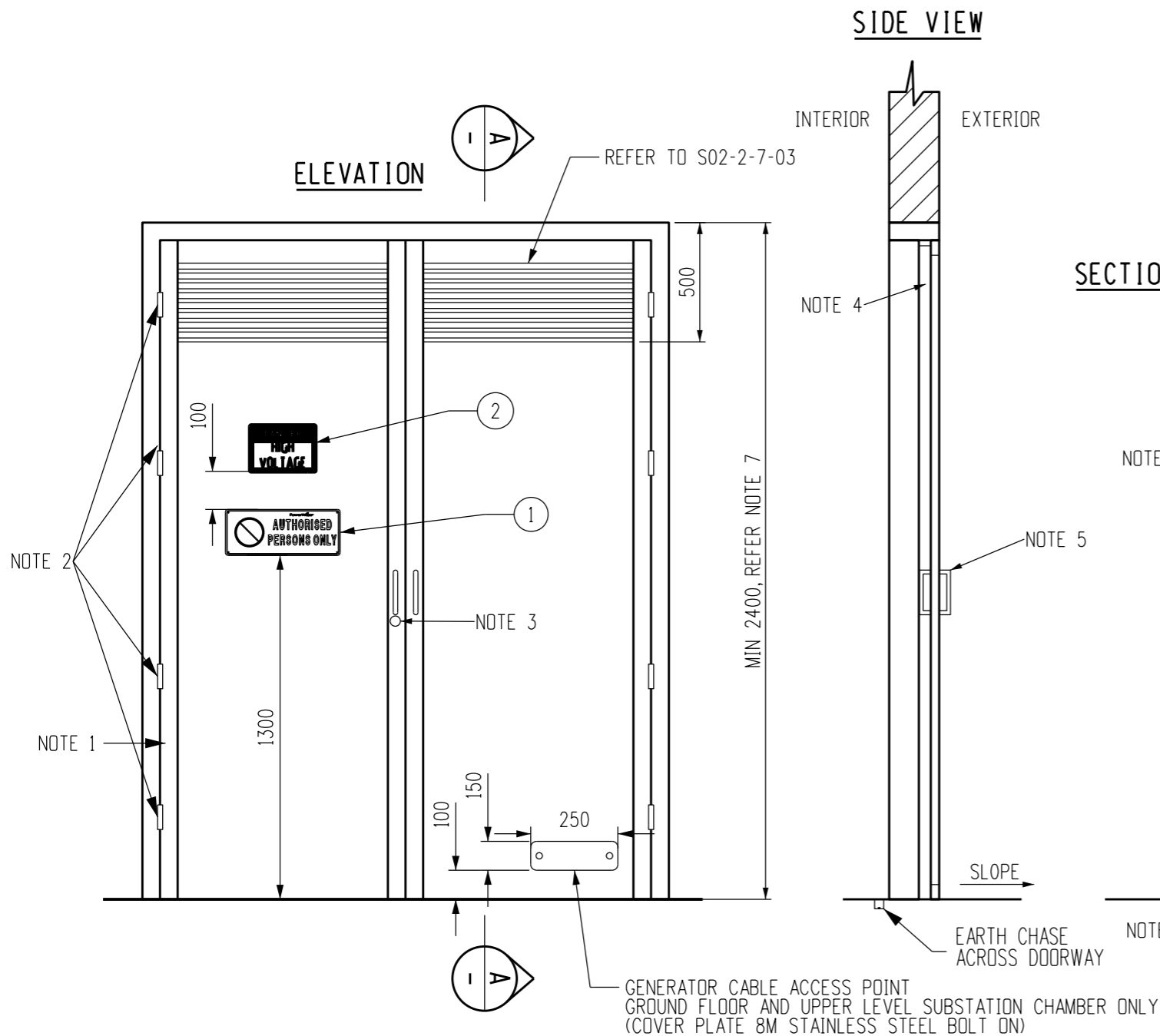


2	1	SIGN, DANGER HIGH VOLTAGE	6429	S02-1-8-01
1	1	SIGN, AUTHORIZED PERSONS ONLY	406856	S02-1-8-31
ITEM	QTY	DESCRIPTION	STOCK CODE	DWG No.

MATERIAL SCHEDULE



MATERIALS & NOTES

- ALUMINIUM DOORS WITH LOUVRE (500mm FROM TOP OF THE DOOR) REFER TO S02-2-7-03 FOR LOUVRE DETAIL.
- HEAVY DUTY ALUMINIUM HINGES MINIMUM OF 4 HINGES REQUIRED WELDED (NOT RIVETED) TO FRAME.
- EACH PERSONNEL DOOR SHALL BE FITTED WITH A LOCKWOOD 570 PWC CYLINDER WITH 60mm BACKSET OPERATION BY KEY FROM THE OUTSIDE. EXTERNAL FACE SHALL BE FITTED WITH A LOCKWOOD 184SC DOUBLE BEND PULL HANDLE AND 1900SC SQUARE END PLATE WITH CYLINDER HOLE ALONG WITH A LATCH GUARD PLATE. THE LATCH SHALL BE FITTED SUCH THAT THERE IS NO LESS THAN 10mm ENGAGEMENT OF THE LATCH BOLT INTO THE STRIKER PLATE WHEN THE DOOR IS IN THE CLOSED POSITION. THE OTHER DOOR SHALL BE FITTED WITH A SHOOTING BOLT TOP AND BOTTOM. THE TOP SHOOTING BOLT HANDLE SHALL BE A MAXIMUM OF 2000mm FROM THE FLOOR.
- VERMIN PROOF MESH 6.5mm x 6.5mm APPERTURE WITH 0.6mm GAUGE SHALL BE FITTED TO THE INTERIOR OF EACH DOOR OVER THE LOUVRE AREA.
- WHEN DOORS OPEN WITHIN A BUILDING, 2 HR FIRE RATED DOORS SHALL BE FITTED.
- DOORS SHALL BE EARTHED WITH 70sqmm YELLOW/GREEN INSULATED CABLE.
- THE EQUIPMENT DOORS OPENING HEIGHT SHOULD PREFERABLY BE TO THE CEILING. HOWEVER IF THIS IS NOT POSSIBLE DUE TO STRUCTURAL DIFFICULTIES THAN A MINIMUM HEIGHT OF 2400mm SHALL BE PROVIDED.
- FINAL DOOR COLOUR TO SUIT THE CONSUMERS REQUIREMENTS.

NO	DESCRIPTION	DRN	DATE	CKD	APPD
1	SIGNAGE ADDED, NOTES UPDATED	A.T.	AUG'16	I.B.	B.C.
0	ISSUED FOR CONSTRUCTION	C.C.	JUN'14	A.T.	B.C.
AMENDMENTS					



DES	B.CHEUNG	POWER STANDARD DRAWING		
DRN	C.COPPINS	ALUMINUM EQUIPMENT DOORS WITH LOUVRES FOR CONTROL POINT OR CABLE RISER		
CKD	A.TAYLOR			
APPD	B.CHEUNG			
SCALE	N.T.S.			
ISSUED	DEC'2013	A3	DRAWING NUMBER	S02-2-7-60
ALL DIM.	IN mm			
DRAFTING STANDARD TO A.S.1100		CAD PRODUCT - DO NOT AMEND MANUALLY		AMDT