

2 x SEALING HOLES

4 x CABLE ENTRY HOLES

3 x MOUNTING HOLES

TINNED COPPER CONTACTS

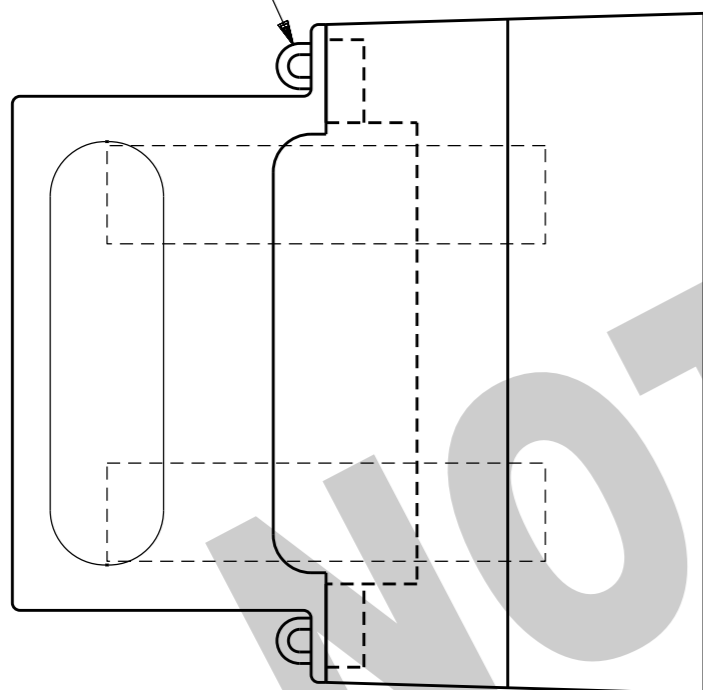
PLAN

NOTES

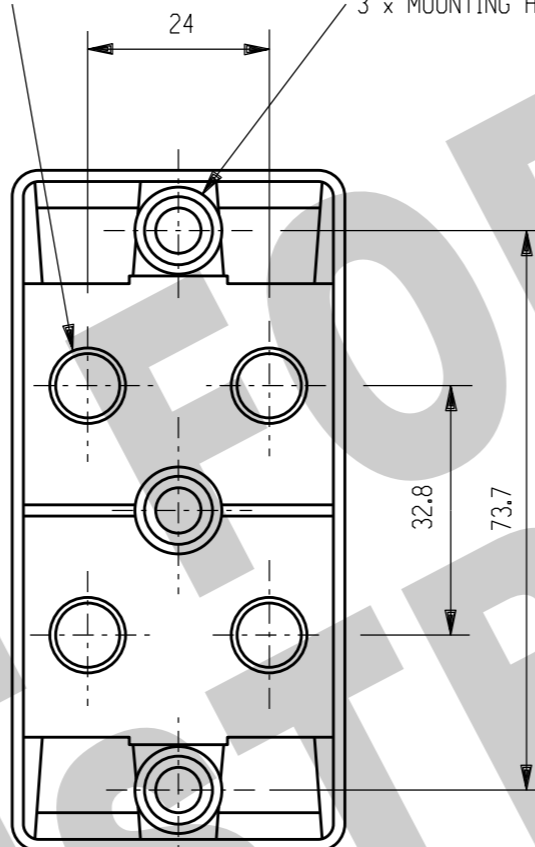
- THE FOLLOWING 57 X 22mm FERRULE FUSES ARE TO BE USED IN FUSE CARRIERS:

AMPERE RATING	ITEM NUMBER
63A	10322
80A	10314
100A	216028

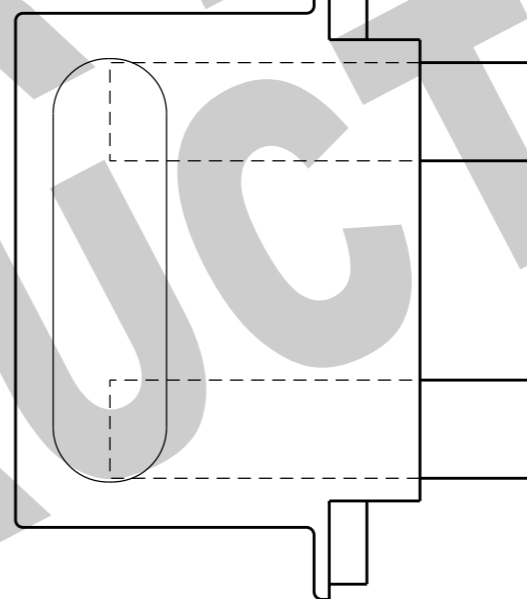
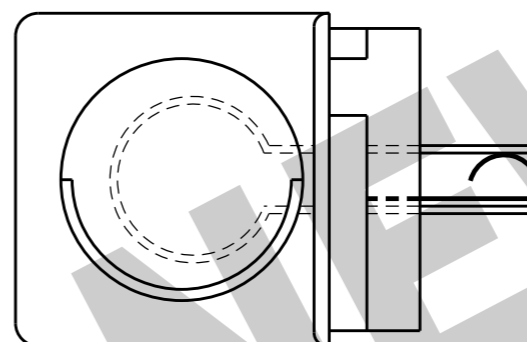
REFER TO DRG. No. S02-04-02-11 FOR DETAILS
- BASE AND CARRIER MATERIAL TO BE TRANSPARENT HIGH IMPACT POLYMER
- BASE IS TO BE SUITABLE FOR BACK WIRING



ELEVATION



BASE VIEW



ELEVATION

ITEM 1 - BASE & CARRIER ASSEMBLY 100 AMP
(ITEM NUMBER - 5173)

ITEM 2 - CARRIER 100 AMP
(ITEM NUMBER - 249136)

NO	DESCRIPTION	DRN	DATE	CKD	APPD
2	SET TO 'NOT FOR NEW CONSTRUCTION'. EDITED NOTE 1. CHANGED 'STOCK CODE' TO 'ITEM NUMBER'	A.N.	JUL'21	C.C.C.	B.V.
1	TITLEBLOCK & DRAWING NUMBER FORMATTED	K.T.	FEB'19	C.C.	C.C.
AMENDMENTS					

PowerWater

NORTHERN TERRITORY

DES	A.B.	POWER STANDARD DRAWING		
DRN	gmck	FUSES and SWITCHGEAR FUSE BASE and CARRIER METER BOX MOUNTED SERVICE FUSE		
CKD	N.Stubbs			
APPD	B.T.Kent			
SCALE	1:1			
ISSUED	NOV'92	A3	DRAWING NUMBER	S02-01-04-12
ALL DIM. IN mm				
DRAFTING STANDARD TO A.S.1100			CAD PRODUCT - DO NOT AMEND MANUALLY	

