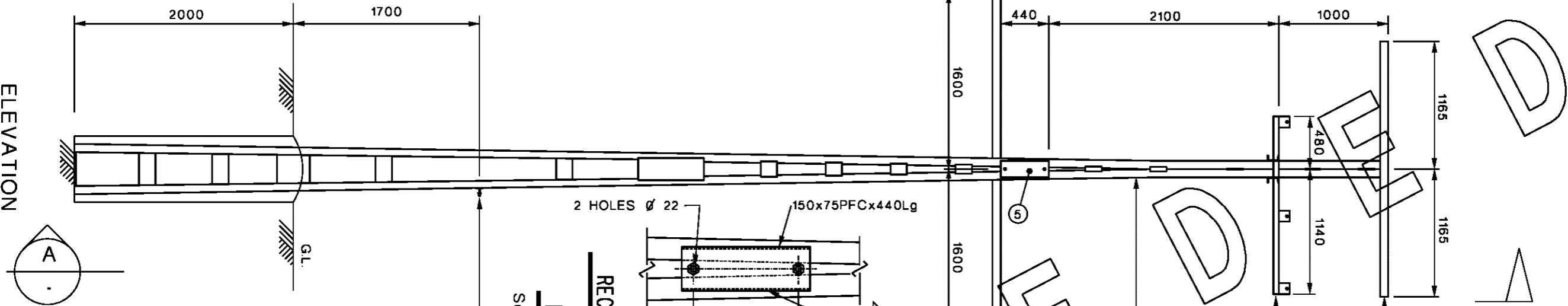
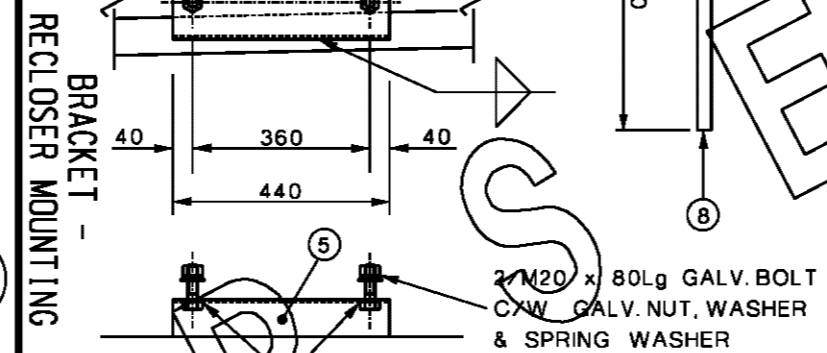


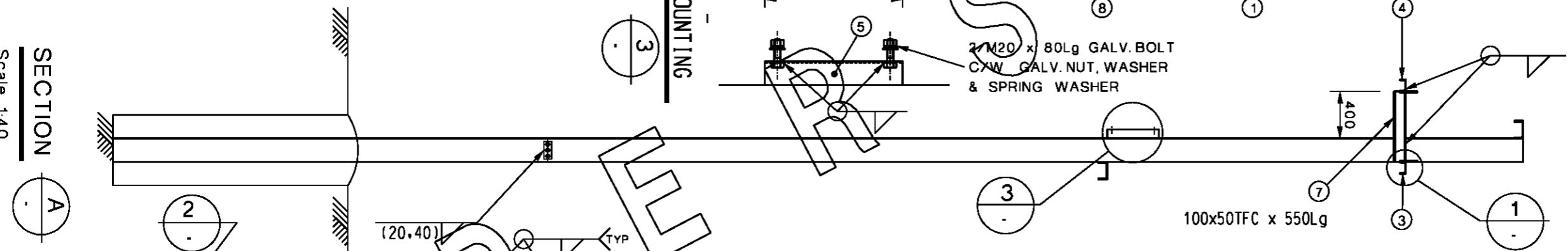
ELEVATION  
Scale 1:40



DETAIL  
Scale 1:15

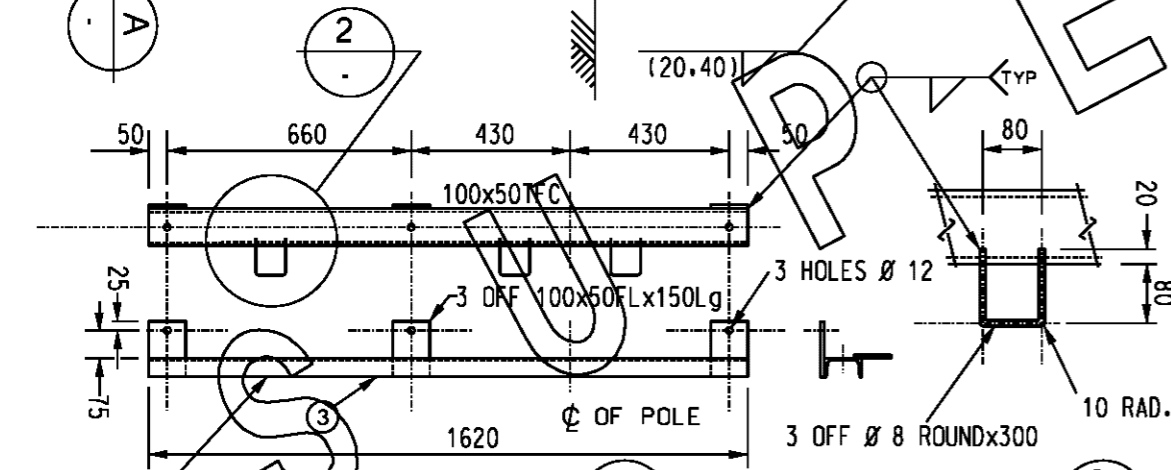


SECTION  
Scale 1:40



DETAIL  
Scale 1:20

DETAIL  
Scale 1:10



**NOTES**

1. ALL WELDING AND WELD PREPARATION SHALL BE IN ACCORDANCE WITH AS1554.
2. ALL CROSSARMS AND LOAD BEARING ATTACHMENTS SHALL BE FIXED TO THE POLE VIA A 6mm FILLET WELD ALL ROUND USING E41XX ELECTRODES UNO.
3. EARTH TEST LINK SHALL BE FIXED TO THE POLE BY INTERMITTENT 6mm FILLET WELDS (WELD 20, MISS 40) USING E316L STAINLESS STEEL ELECTRODES.

TAG No	QTY.	DESCRIPTION	S/C	DRG REF
8	1	CROSSARM - STEEL LV	245936	S01-01-02-05
7	2	STAND-OFF BRACKET	-	-
6	1	EARTH TEST LINK	9142	S01-01-05-02
5	1	BRACKET - RECLOSER MOUNTING (REF.DET. 3)	-	-
4	1	CROSSARM - SPECIAL (OPPOSITE HAND TAG No. 3)	-	-
3	1	CROSSARM - SPECIAL (REFER DETAIL 1)	-	-
2	1	CROSSARM - HV	-	S01-01-02-02
1	1	LINE POLE - 12B	11148	S01-01-01-02

HV EDO MOUNTING CROSSARM  
STOCK CODE - 250829

NO	DESCRIPTION	DRN	DATE	CKD	APPD
2	SUPERSEDED	A.T.	DEC'12	B.C.	B.C.
1	ITEM 8 ADDED. CROSSARM SPACING ALTERED	SBB	JUN'98	-	F.R.R.



DES ...	POWER STANDARD DRAWING		
DRN gmck	<b>POLE STRUCTURES 22kV RECLOSER</b>		
CKD N.Stubbs			
APPD B.Kent	A3	DRAWING NUMBER	S01-02-05-17
SCALE AS SHOWN			
ISSUED OCT'92			
ALL DIM. IN mm			
DRAFTING STANDARD TO A.S.1100	CAD PRODUCT - DO NOT AMEND MANUALLY		

