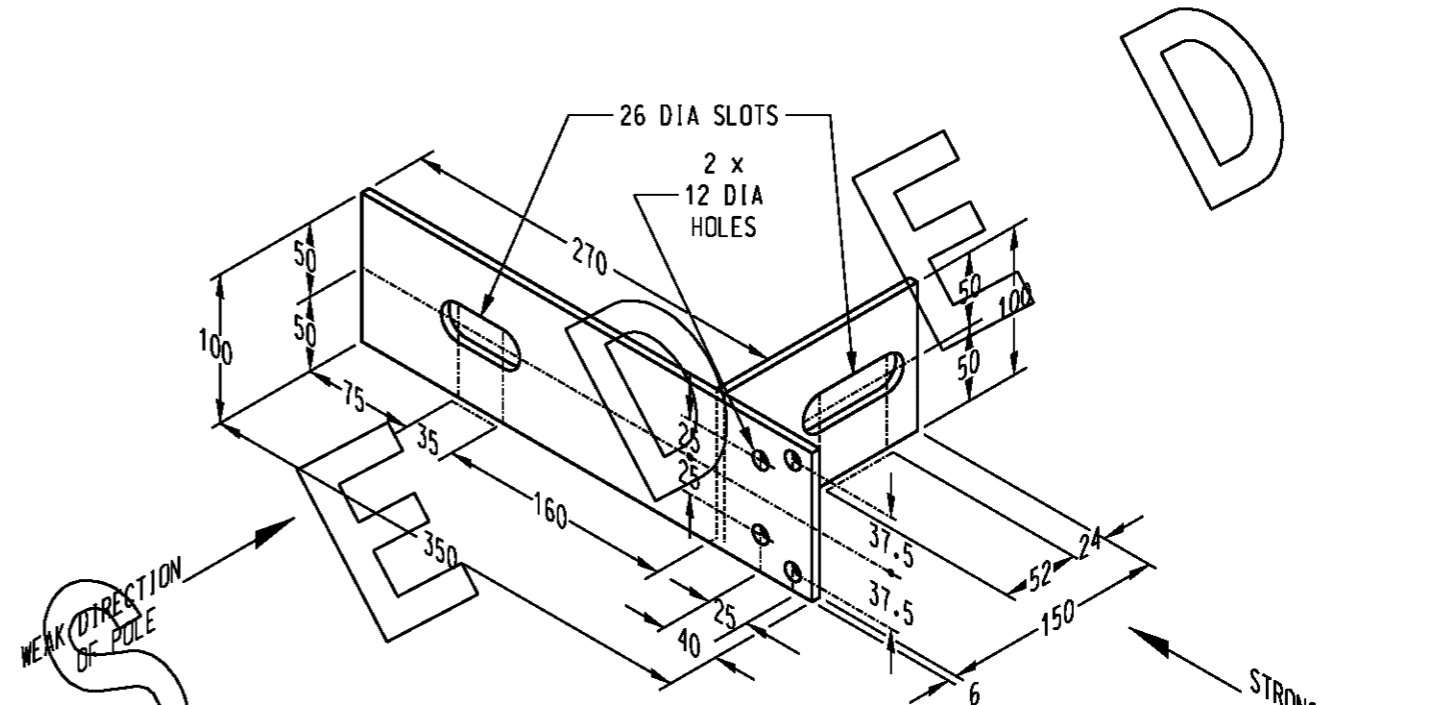


PLAN



ISOMETRIC VIEW
ABS DOWN ROD BRACKET ADAPTOR

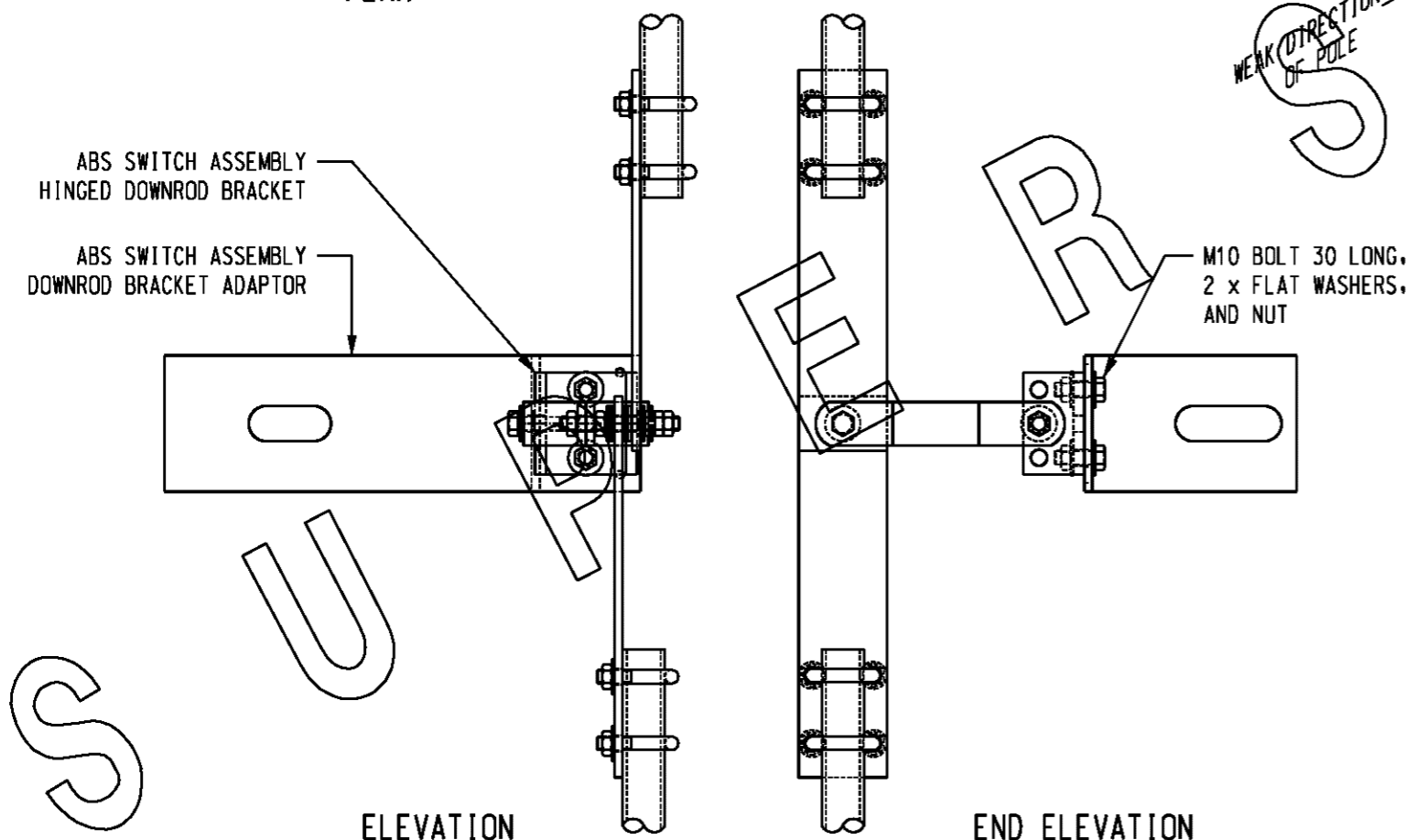
MATERIAL: 100 X 6 PL
STOCK CODE: 298737

NOTES:

1. MOUNT DOWNROD BRACKET ADAPTOR ON 7TH DRILLED BRACE DOWN FROM TOP OF POLE.
2. ABS NOT USED ON 9m POLES.
3. DOWNROD BRACKET ADAPTOR SLOT SIZE REASONING:

FOR WEAK DIRECTION SLOT:
LARGEST DISTANCE IS ON 10.5D: 192mm FROM FACE TO HOLE CENTRE
SMALLEST DISTANCE IS ON 13.5B: 166mm FROM FACE TO HOLE CENTRE
5mm EITHER WAY IS ALLOWED EXTRA OVER THESE DIMENSIONS.

FOR STRONG DIRECTION SLOT:
BIGGEST DISTANCE IS ON D POLES: 125mm FROM FACE TO HOLE CENTRE
SMALLEST DISTANCE IS ON B POLES: 75mm FROM FACE TO HOLE CENTRE
1mm EITHER WAY IS ALLOWED EXTRA OVER THESE DIMENSIONS.



ELEVATION

END ELEVATION

NO	DESCRIPTION	DRN	DATE	CKD	APPD
2	SUPERSEDED	A.T.	DEC'12	B.C.	B.C.
1	TWO ADDITIONAL 12mm HOLES IN DOWN ROD BRACKET ADDED	A.S.	15.11.01	M.B.	F.R.R.
0	ISSUED FOR CONSTRUCTION	A.S.	7.3.01	M.B.	F.R.R.
AMENDMENTS					

 NORTHERN TERRITORY	DES	M. BOCK	POWER STANDARD DRAWING	
	DRN	R. INNES	LINE HARDWARE ABS, DOWNROD MOUNTING BRACKET ADAPTOR FOR UNIVERSAL POLE CONSTRUCTION	
	CKD	M. BOCK		
	APPD	F. ROBSON	A3 DRAWING NUMBER S01-01-04-42	
	SCALE	APR'00		
ISSUED	1:5	DRAFTING STANDARD TO A.S.1100		CAD PRODUCT - DO NOT AMEND MANUALLY