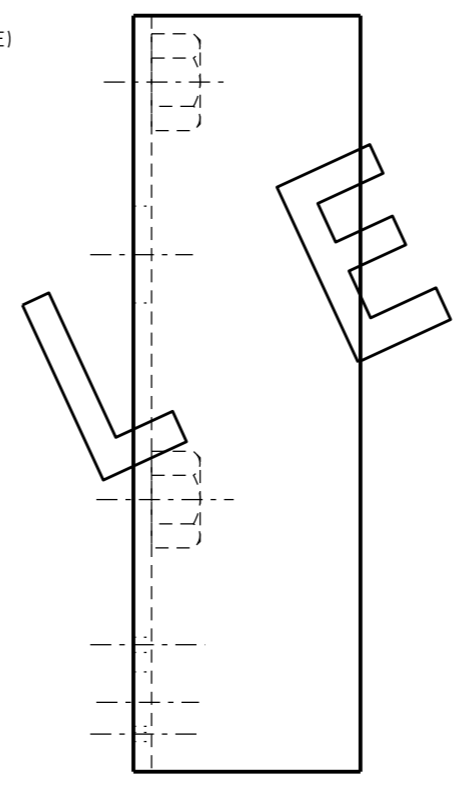


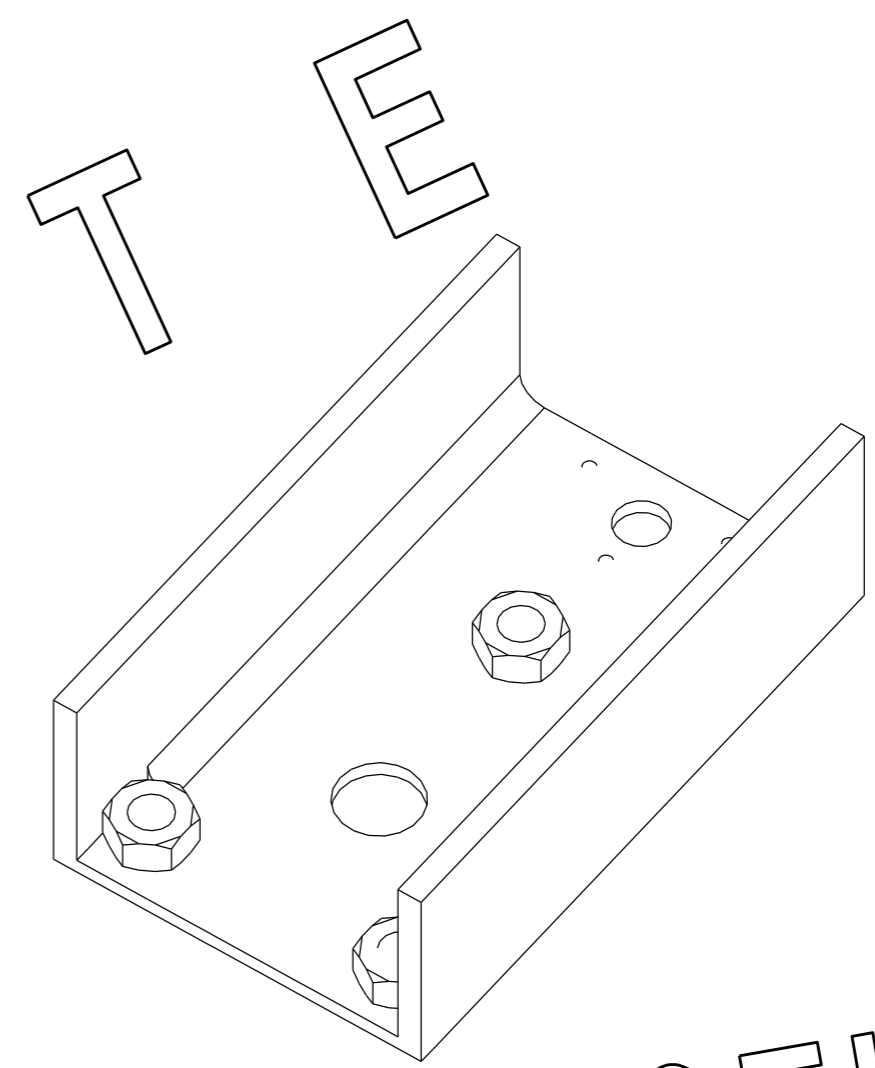
PLAN VIEW

1:2.5



SIDE ELEVATION

1:2.5

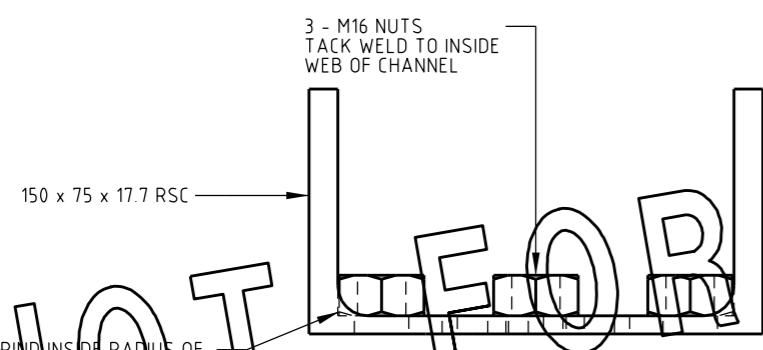


ISOMETRIC VIEW MOUNTING BRACKET

1:2.5 (ITEM NUMBER 8664)

NOTES:

1. MATERIAL TO BE TO AS 3679 GRADE 250.
2. ALL ROUGH OR BURRED EDGES ARE TO BE DRESSED CLEAN.
3. PAINTING OF BRACKET IS NOT REQUIRED.
4. FOR POWER POLES LESS THAN 200mm WIDE, USE ITEM 2 (S.C. 203611) DRAWING S04-01-02-02.



FRONT ELEVATION

1:2.5

NOT FOR NEW CONSTRUCTION

NO	DESCRIPTION	DRN	DATE	CKD	APPD
7	TITLEBLOCK & DRAWING NUMBERS FORMATTED	K.T.	FEB'19	C.C.	C.C.
6	MARKED NOT FOR NEW CONSTRUCTION	C.C.	OCT'18	B.V.	B.C.
5	ADD NOTE 4	K.I.	SEP'05	C.C.	C.C.
4	DIMENSION CHANGED TO MATCH S03-01-01-10 & NOTE 1 AMENDED.	J.A.L.	MAR'95	S.C.M.	P.J.D.
3	REDRAWN AND DRAWING NUMBER AMENDED	g.mck	JAN'88	-	G.S.
AMENDMENTS					



DES	G.MCSHANNAG	POWER STANDARD DRAWING		
DRN	G.MCK	BRACKET 150mm CHANNEL TAPERED OUTREACH		
CKD	G.SCHUBERT			
APPD	T.R.GOUDIE	A3	DRAWING NUMBER	S03-01-03-01
SCALE	N.T.S			
ISSUED	JAN 1986	DRAFTING STANDARD TO A.S.1100		
ALL DIM. IN mm				
CAD PRODUCT - DO NOT AMEND MANUALLY		AMDT		