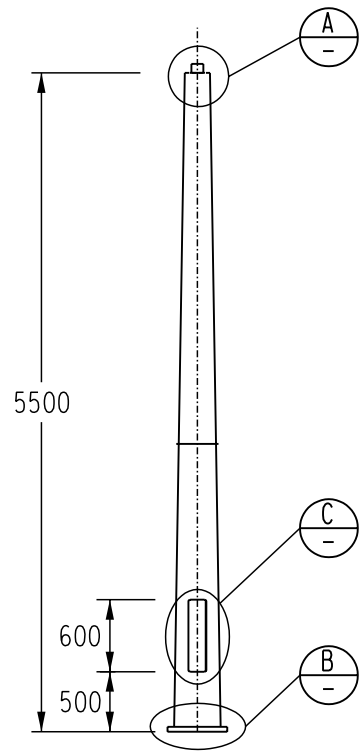
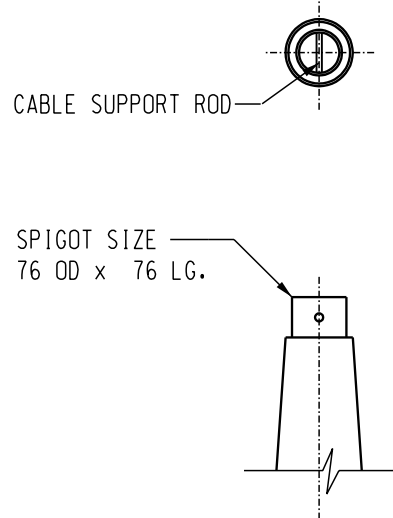


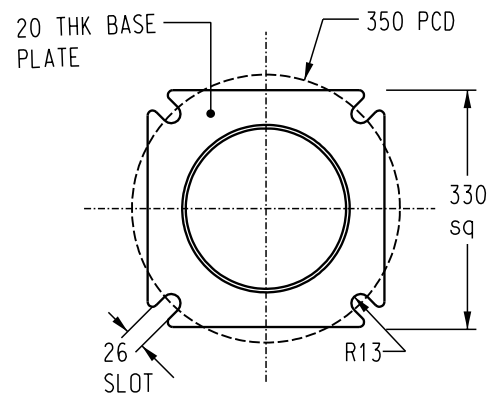
3RD ANGLE -DO NOT SCALE - REPORT ANY ERRORS, OMISSIONS TO DRAFTING OFFICE



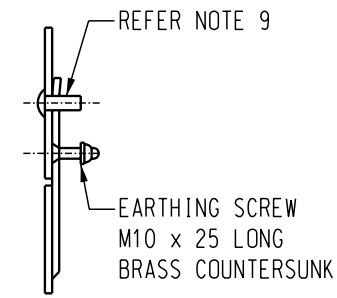
ITEM 1 - 5.5m POST TOP TYPE COLUMN  
ITEM NUMBER 8912  
SCALE 1:60



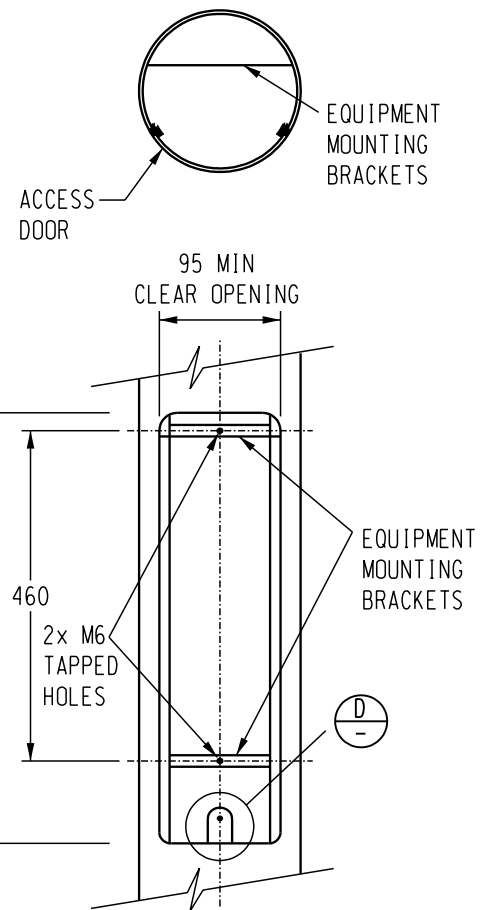
SPIGOT - DETAIL A  
SCALE 1:10



BASE PLATE - DETAIL B  
SCALE 1:15



DETAIL C  
SCALE 1:5



EQUIPMENT ACCESS - DETAIL D  
SCALE 1:10  
(DOOR REMOVED FOR CLARITY)

NOTES :

- ALL WELDING AND WELD PREPARATION SHALL BE IN ACCORDANCE WITH AS1554.
- CIRCUMFERENTIAL WELDS TO BE JOGGLED BUTT TYPE. LONGITUDINAL WELDS TO BE SINGLE BUTT TYPE. ALL WELDS TO BE MADE BY CONTINUOUS AUTOMATIC PROCESS AND ARE NOT TO BE DRESSED SMOOTH.
- AFTER FABRICATION ALL COMPONENTS TO BE ACID DE-SCALED AND HOT DIPPED GALVANIZED MINIMUM 450g/sq.m TO AS4680.
- WIND LOADINGS TO COMPLY WITH THE REQUIREMENTS OF AS1170.2 - SECTION 4  
DESIGNS ARE TO BE BASED ON -  
- MAXIMUM WIND SPEED OF  $V_u = 66\text{m/sec}$  DERIVED FROM A DESIGN LIFE OF 25 YEARS WITH A 5% PROBABILITY FACTOR OF  $V_u$  BEING EXCEEDED IN THAT PERIOD.  
- MAXIMUM WIND SPEED OF  $V_s = 47\text{m/sec}$  DERIVED FROM A DESIGN LIFE OF 25 YEARS WITH A 63% PROBABILITY FACTOR OF  $V_s$  BEING EXCEEDED IN THAT PERIOD WITH A MAXIMUM DEFLECTION LIMIT OF 4% OF NOMINAL LENGTH.  
- REGION 'C' AND TERRAIN CATEGORY '3'  
- LUMINARIES WITH A WIND AREA OF 0.16sq.m, A MASS OF 7kg EACH AND DRAG CO-EFFICIENT OF 0.9
- COLUMNS ARE TO CONFORM TO THE REQUIREMENTS OF AS4100 AND AS1798.
- COLUMNS ARE TO HAVE CONTINUOUS TAPER OVER THEIR ENTIRE LENGTH AND A STEEL THICKNESS OF NOT LESS THAN 3mm.
- TWO PIECE COLUMNS MUST BE ASSEMBLED PRIOR TO DELIVERY.
- ACCESS DOORS ARE NOT INTERCHANGEABLE. ENSURE THAT INDIVIDUAL COLUMNS AND DOORS ARE SUITABLY MATCHED AND MARKED.
- EQUIPMENT ACCESS DOOR TO BE PROVIDED (DETAIL C) HAVING 'TAMPER PROOF' LOCKING DEVICE. DOOR ACCESS SCREW TO BE M10 STAINLESS STEEL I.S.O. METRIC BUTTON HEAD SOCKET TYPE.
- ALL POLE MANUFACTURERS SHALL COMPLY WITH ISO 3834.

12	TITLEBLOCK & DRAWING NUMBER FORMATTED	K.T.	FEB'19	C.C.	C.C.
11	GALVANIZING STANDARD UPDATED TO AS4680 NOTE 10 ADDED	A.T.	JAN'13	B.C.	B.C.
10	REDRAWN ON CAD	A.D.	05/98	R.I.	F.R.
9	DOOR WIDTH OPENING INCREASED	gmck	7/93	N.S	B.T.K
8	NOTE 4 AMENDED	gmck	11/91	N.S	-
7	DOOR OPENING DIMENSION ALTERED FROM 150 TO 100	gmck	9/91	pmc	-
6	REDRAWN, NOTE 4 AMENDED TO SUIT NEW WIND LOADING CODE	gmck	2/91	N.S.	-
NO	DESCRIPTION	DRN	DATE	CKD	APPD
AMENDMENTS					



DES	-	POWER STANDARD DRAWING		
DRN	A.DAVIS	COLUMN TAPERED STEEL 5.5 METRE POST TOP TYPE		
CKD	R.INNES			
APPD	F.ROBSON			
SCALE	AS SHOWN			
ISSUED	MAY'98	A3	DRAWING NUMBER	S03-01-01-08
ALL DIM.	IN mm			
DRAFTING STANDARD TO A.S.1100		CAD PRODUCT - DO NOT AMEND MANUALLY		AMDT