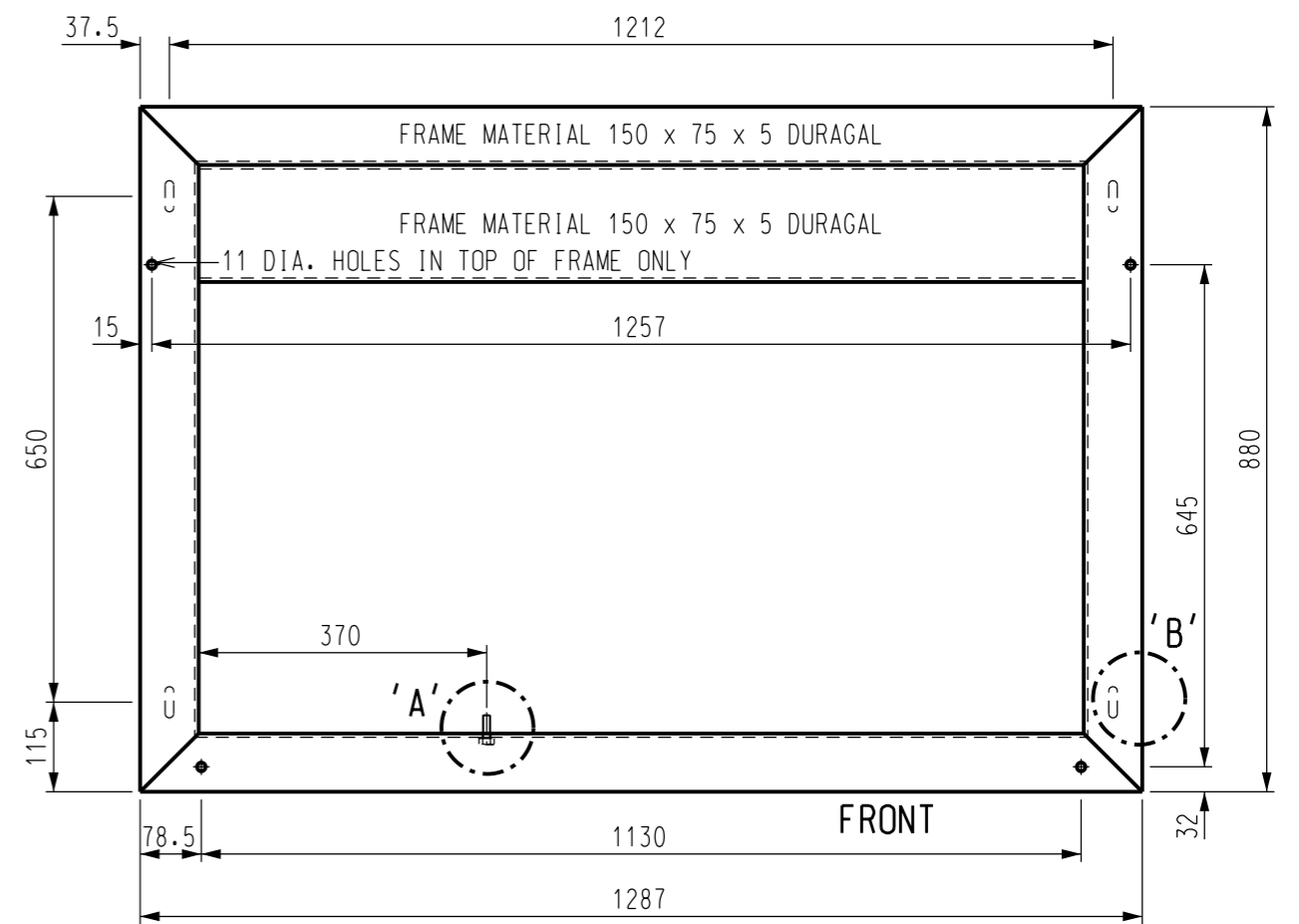
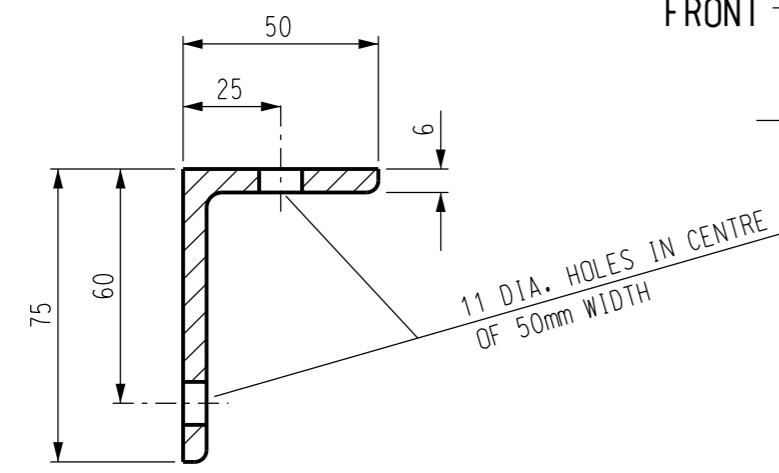


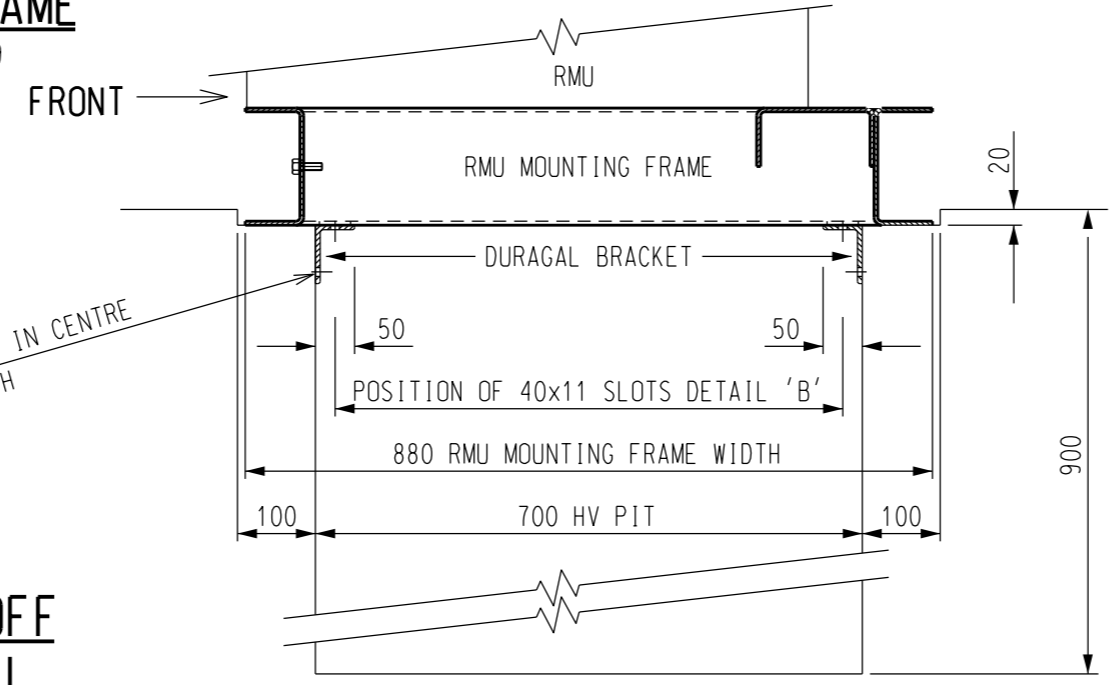
PLAN - RM6 RMU 4 FUNCTION UNIT MOUNTING FRAME
ITEM NUMBER: 501099



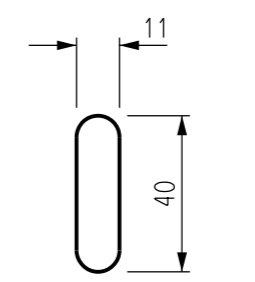
PLAN - RM6 RMU 3 FUNCTION UNIT MOUNTING FRAME
ITEM NUMBER: 501100



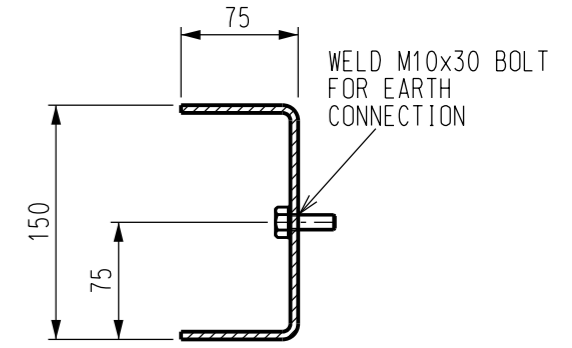
DURAGAL BRACKET (50mm WIDE) 4 OFF FOR FIXING FRAME TO HV PIT WALL
SCALE 1 : 2



SECTION THROUGH HV PIT



DETAIL 'B'
SLOTS IN BOTTOM FLANGE ONLY (SCALE 1 : 5)



DETAIL 'A'
EARTH STUD LOCATION (SCALE 1 : 5)

NO	DESCRIPTION	DRN	DATE	CKD	APPD
1	TITLEBLOCK & DRAWING NUMBER FORMATTED	K.T.	FEB'19	C.C.	C.C.
0	STOCK CODES ADDED, RE-NUMBERED FROM S02-2-7-57	C.M.	JUN'14	B.C.	B.C.
AMENDMENTS					



DES	D. MOFFAT	POWER STANDARD DRAWING	
DRN	A. SCHMID	RM6 RING MAIN UNIT 3 AND 4 FUNCTION MOUNTING FRAME	
CKD	D. MOFFAT		
APPD	T. TANG	A3	DRAWING NUMBER S02-01-04-26
SCALE	1 : 10.		
ISSUED	SEPT'06		
ALL DIM. IN mm			
DRAFTING STANDARD TO A.S.1100		CAD PRODUCT - DO NOT AMEND MANUALLY	

