

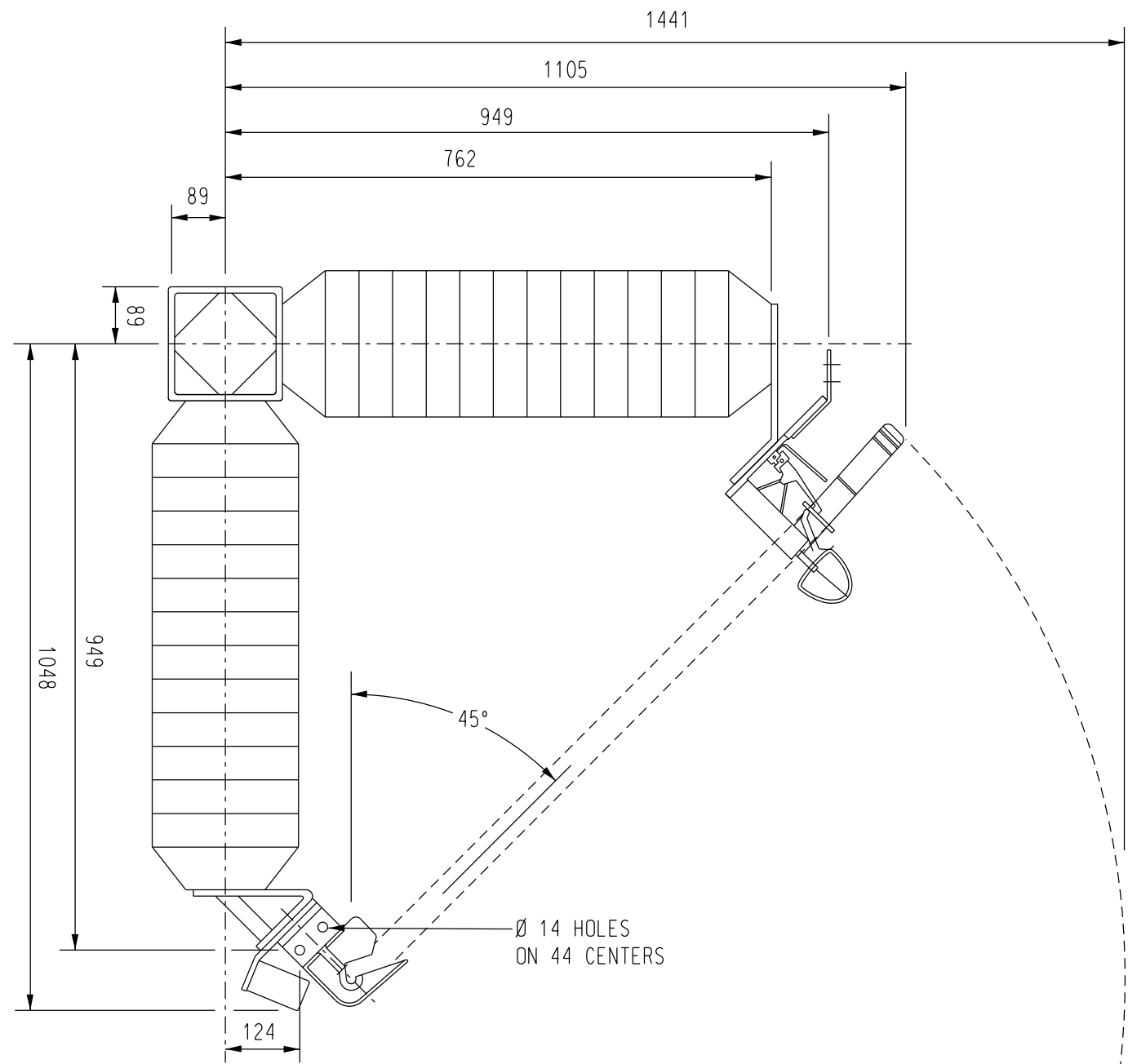
— **BASE DETAIL**
— N.T.S.

TABLE 1: FUSE ASSEMBLIES

ITEM	ITEM NUMBER	TYPE	RATED NORMAL CURRENT	RATED INTERRUPTING CAPACITY
1	283184	SMD-1A	200 A	8750 A
2	285858	SMD-50	100 A	3350 A

TABLE 2: FUSE LINKS

ITEM	ITEM NUMBER	TYPE	SPEED RATING	NOMINAL CURRENT RATING
3	292490	SMD-1A	STANDARD	15 A
4	415458	SMD-1A	STANDARD	20 A
5	285841	SMD-50	STANDARD	20 A



ITEM 1: FUSE ASSEMBLY (SMD-1A)
(ITEM NUMBER - 283184)
— N.T.S.

NOTES :

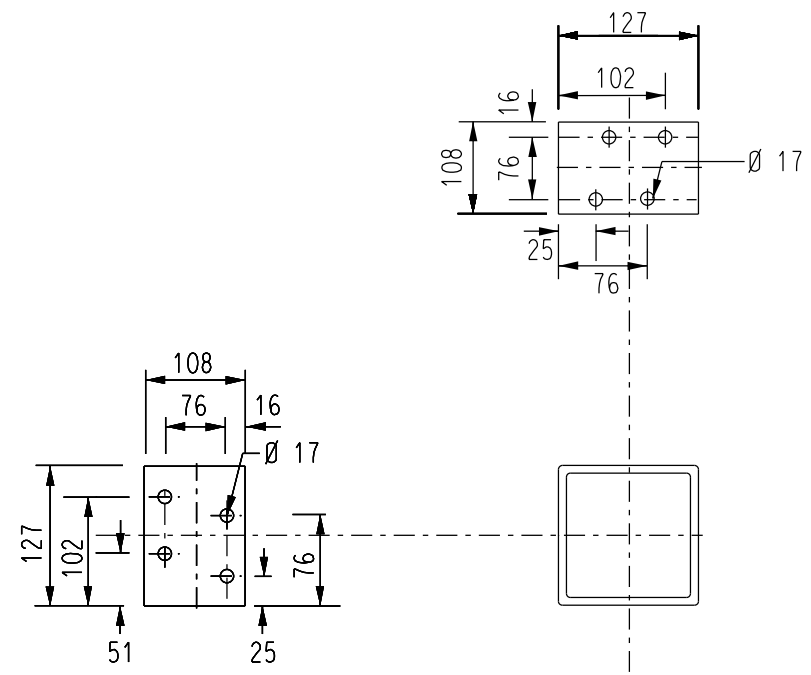
1. DIMENSION BETWEEN TERMINAL PAD SURFACES IS 120.
2. 66 kV EDO ASSEMBLIES AND FUSE LINKS MUST COMPLY WITH IEEE C37.41 AND C37.42
3. 66 kV EDO ASSEMBLIES MUST COMPLY WITH POWER AND WATER STANDARD SPECIFICATION STSP 01-010

NO	DESCRIPTION	DRN	DATE	CKD	APPD
4	ADDED TABLES 1 & 2. CHANGED DIMENSIONS & NOTE 2. BASE SIDE PROFILE REDRAWN. ADDED SHEET 2.	A.N.	NOV'20	C.C.C.	B.C.
3	TITLEBLOCK & DRAWING NUMBER FORMATTED	K.T.	DEC'18	C.C.	C.C.
2	FUSE UNIT AND FUSE CARTRIDGE STOCK CODES ADDED, NOTES UPDATED	A.T.	AUG'16	I.B.	B.C.
1	STOCK CODE UPDATED	A.T.	JUN'14	B.C.	B.C.
AMENDMENTS					



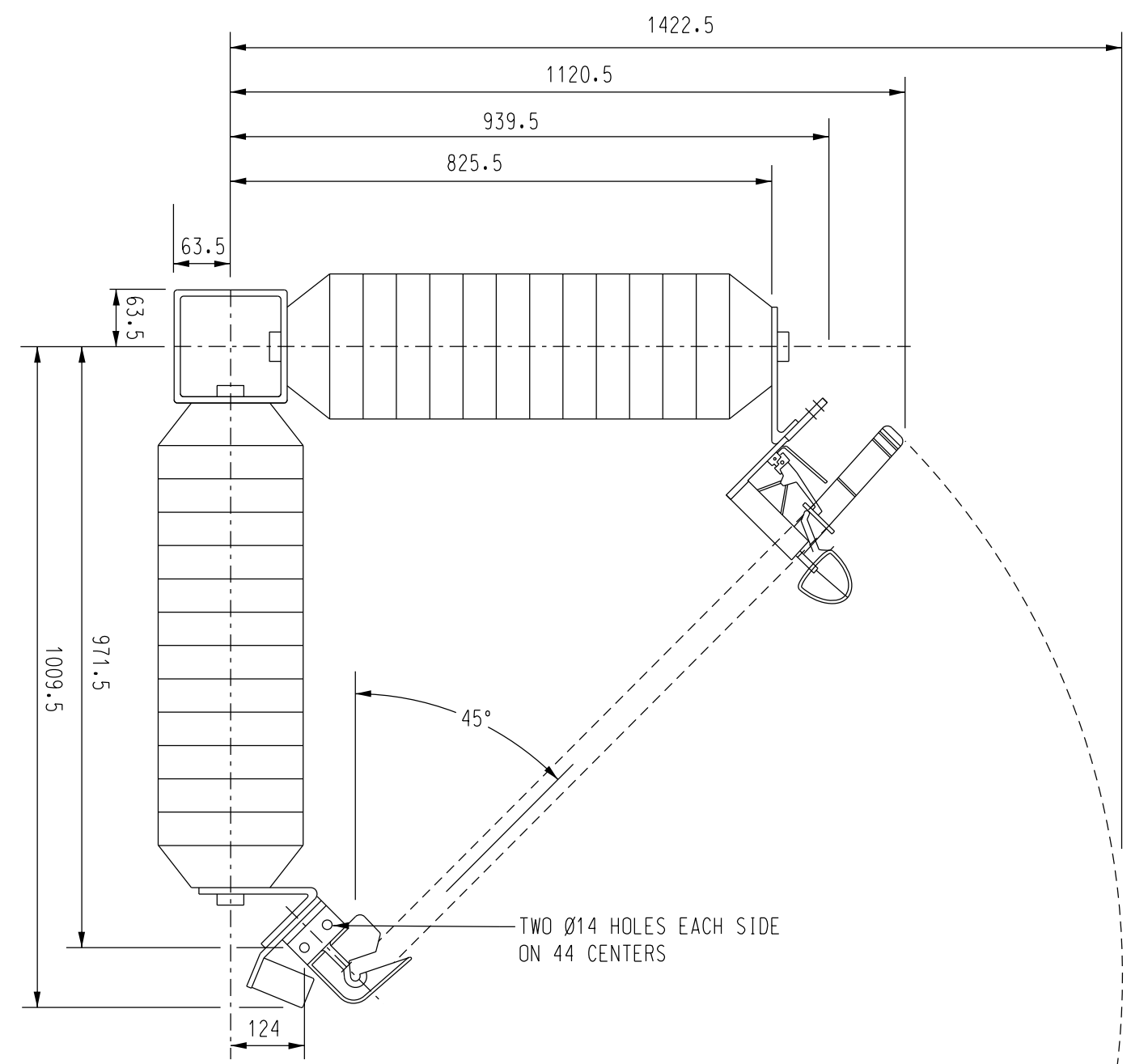
DES	...	POWER STANDARD DRAWING	
DRN	J.A.L.	SWITCHGEAR 66 kV FUSES ASSEMBLY SHEET 1	
CKD	...		
APPD	F.ROBSON		
SCALE	AS SHOWN		
ISSUED	JUN'98		
ALL DIM. IN mm	A3	DRAWING NUMBER	S01-01-06-13_1
DRAFTING STANDARD TO A.S.1100		CAD PRODUCT - DO NOT AMEND MANUALLY	





BASE DETAIL

N.T.S.



ITEM 2: FUSE ASSEMBLY (SMD-50)

(ITEM NUMBER - 285858)

N.T.S.

0	INITIAL ISSUE	A.N.	OCT'20	C.C.C.	B.C.
NO	DESCRIPTION	DRN	DATE	CKD	APPD
AMENDMENTS					



DES	-
DRN	A.N.
CKD	C.C.C.
APPD	B.C.
SCALE	AS SHOWN
ISSUED	OCT'20
ALL DIM. IN mm	
DRAFTING STANDARD TO A.S.1100	

POWER STANDARD DRAWING	
SWITCHGEAR 66 kV FUSES ASSEMBLY SHEET 2	
A3	DRAWING NUMBER S01-01-06-13_2
CAD PRODUCT - DO NOT AMEND MANUALLY	

