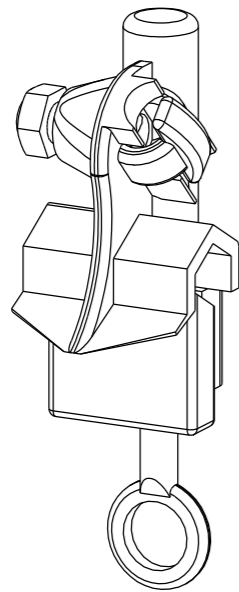


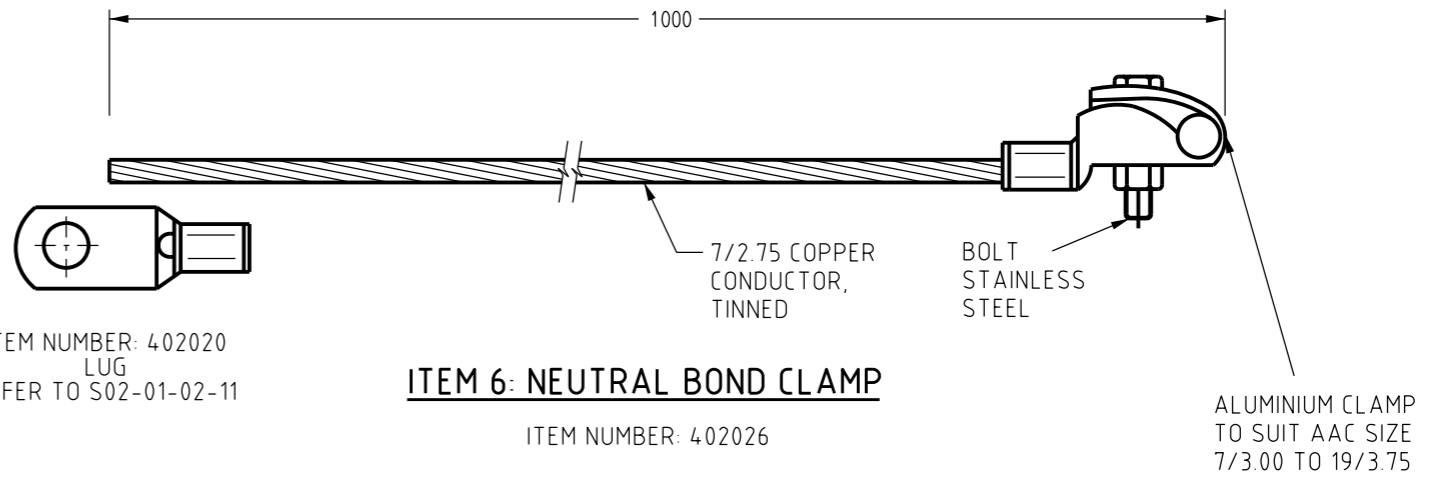
**NOTES:**

- LIVE LINE CLAMP BODY - CAST ALUMINIUM, COATED WITH HIGH DENSITY FORTIFIED PLATING TO INHIBIT GALVANIC ACTION AT BI-METAL CONTACTS. EYE SCREW THREAD TO BE COMPLETELY ENCLOSED AND PACKED WITH CORROSION INHIBITIVE COMPOUND. TO BE SUITABLE FOR CONNECTING ALUMINIUM TO ALUMINIUM; ALUMINIUM TO COPPER & COPPER TO COPPER.



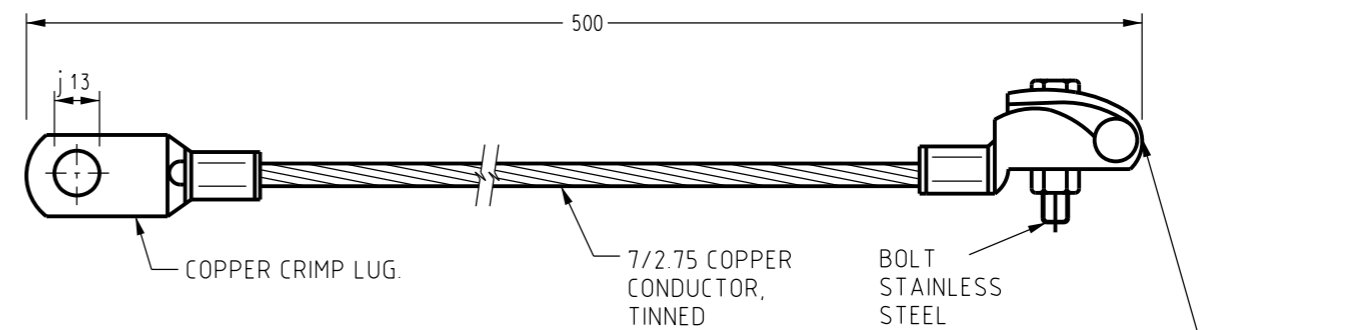
**ITEM 3: LIVE LINE CLAMP**

ITEM NUMBER: 2121



**ITEM 6: NEUTRAL BOND CLAMP**

ITEM NUMBER: 402026



**ITEM 5: NEUTRAL BOND CLAMP**

ITEM NUMBER: 2147

3	2121	18.96	4.12	13.92	4.12	460A
ITEM	ITEM NUMBER	MAX	MIN	MAX	MIN	CURRENT RATING
		MAIN		TAP		
		NOM. CONDUCTOR DIA. (mm)				

NO	DESCRIPTION	DRN	DATE	CKD	APPD
16	DRAWING TITLE CORRECTED, CHANGED STOCK CODE TO ITEM NUMBER, INCLUDED LABEL FOR ITEM 3, ADDED DRAWING REFERENCE FOR ITEM 402020, REMOVED MANUFACTURER REFERENCE, MOVED NOTES	R.A.	JUL'21	C.C.C.	B.V.
15	TITLEBLOCK & DRAWING NUMBER FORMATTED	K.T.	DEC'18	C.C.	C.C.
14	ITEM 3 UPDATED	K.T.	APR'16	B.C.	B.C.



DES	J.HASSANEN	POWER STANDARD DRAWING	
DRN	A.DAVIS	LINE HARDWARE	
CKD	R.INNES	CLAMPS	
APPD	F.ROBSON	PORTABLE EARTH, NEUTRAL BOND	
SCALE	N.T.S.	EARTH ROD TO BUSBAR/CONDUCTOR	
ISSUED	MAY'98	A3	DRAWING NUMBER S01-01-04-17
ALL DIM.	IN mm		
DRAFTING STANDARD TO A.S.1100		CAD PRODUCT - DO NOT AMEND MANUALLY	

