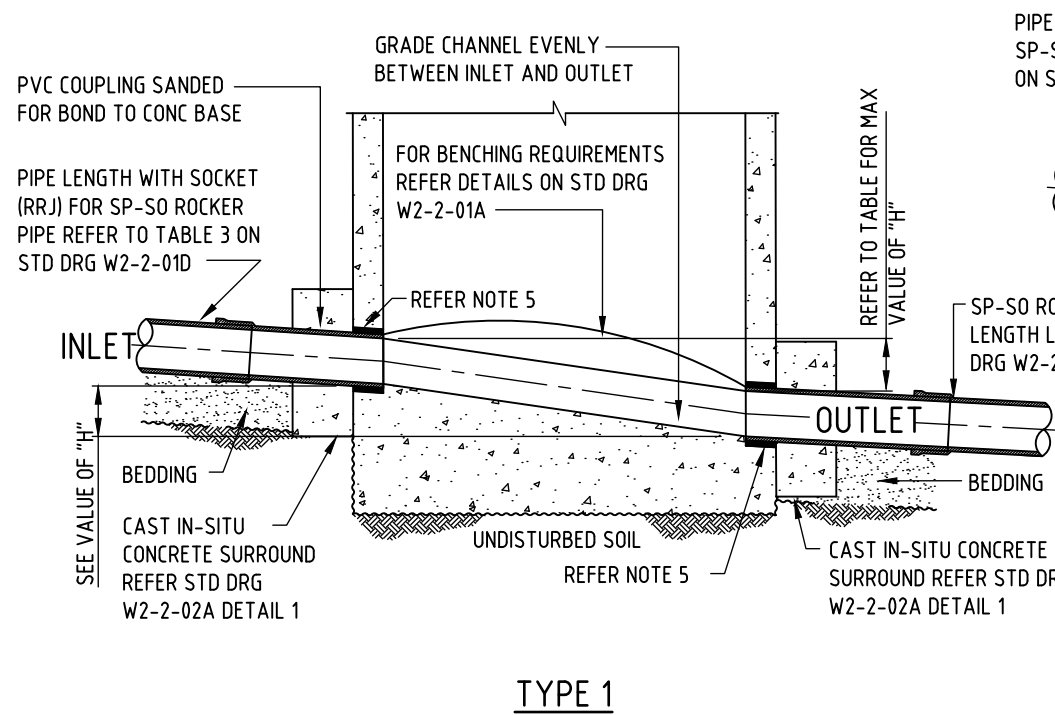


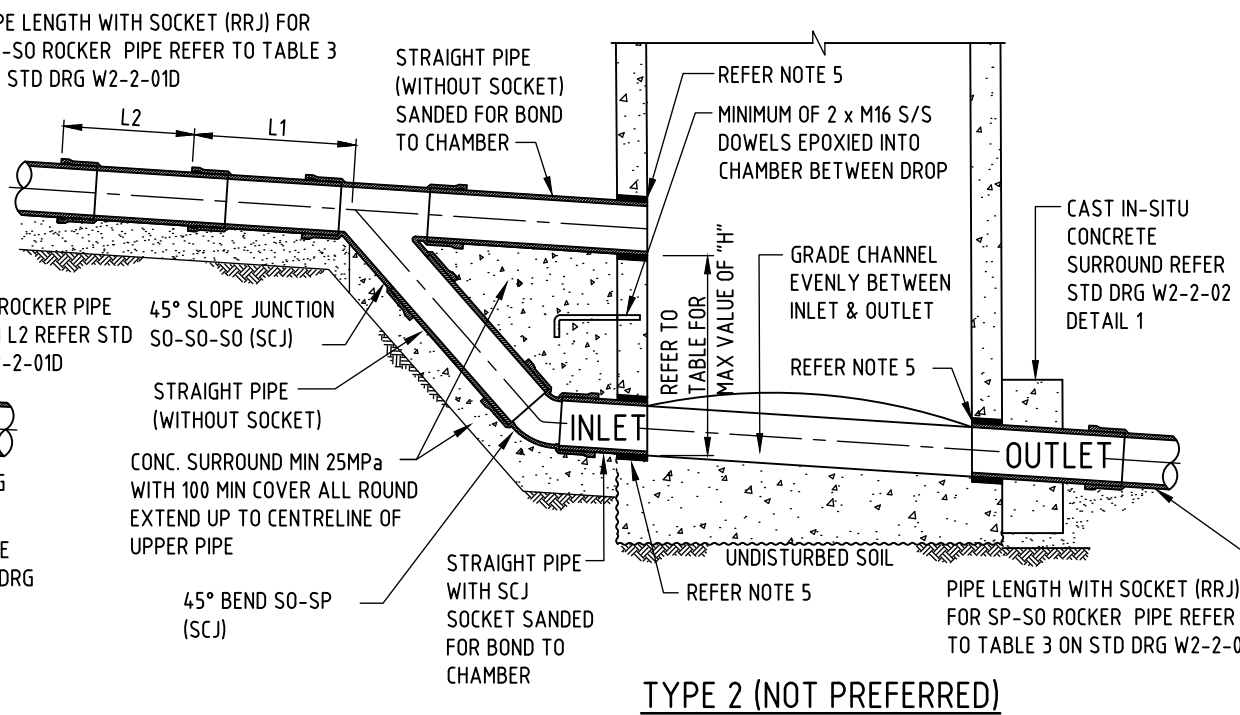
TYPE OF DROP	VALUE OF 'H'		
	DN150	DN225	DN300
TYPE 1	200mm MAX OBVERT TO OBVERT		
TYPE 2 MIN	280	450	N/A
TYPE 2 MAX	600	700	N/A
TYPE 3A	OVER 600	OVER 700	N/A
TYPE 3B	OVER 600	OVER 700	OVER 900
TYPE 4	OVER 600	OVER 700	N/A

NOTE:

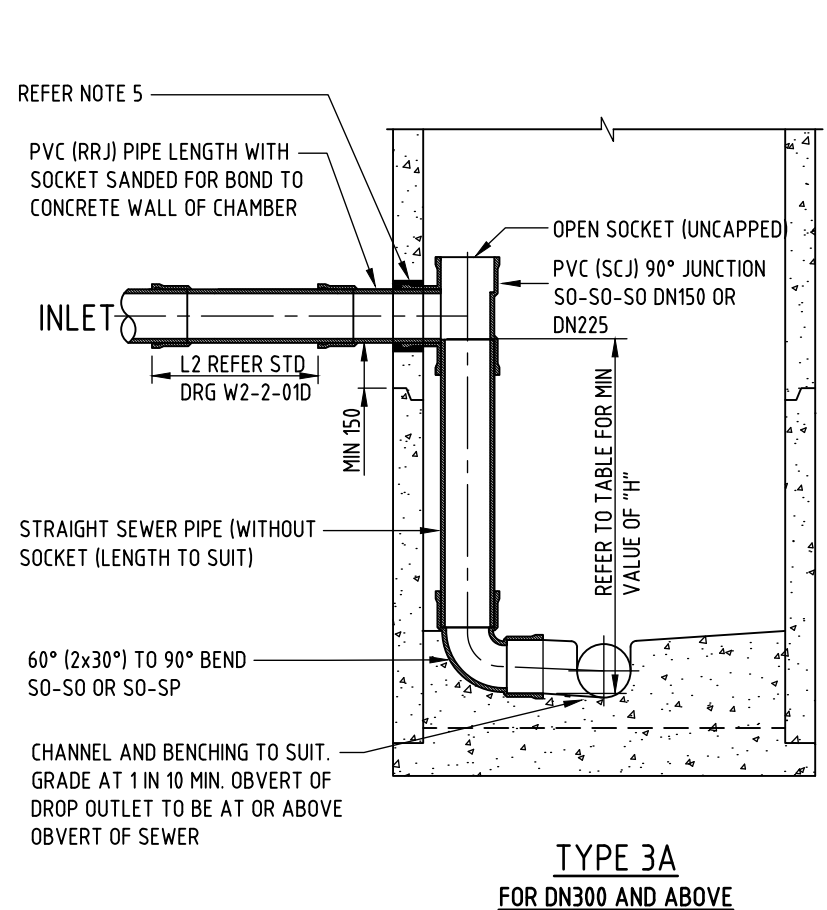
1. REFER TO STANDARD DRAWINGS W2-2-01A, W2-2-01D AND W2-2-04 FOR GENERAL DETAILS OF ACCESS CHAMBER CONSTRUCTION.
2. UP TO TWO (2) INTERNAL TYPE 4 DROPS MAY BE PERMITTED.
3. ALL PIPES FOR DROP TYPES 2, 3 AND 4 TO BE PVC SN8 AND SHALL BEAR THE STANDARDS MARK FOR PRODUCT COMPLIANCE WITH AS1260.
4. TYPE 2 EXTERNAL DROP ONLY TO BE USED WHERE SPECIFICALLY APPROVED BY POWER AND WATER. IT IS PREFERRED TO RE-GRADE THE SEWER BETWEEN ACCESS CHAMBERS OR INSTALL TYPE 4 INTERNAL DROP.
5. FILL JOINT WITH EPOXY OR USE HYDROPHILIC SEAL.



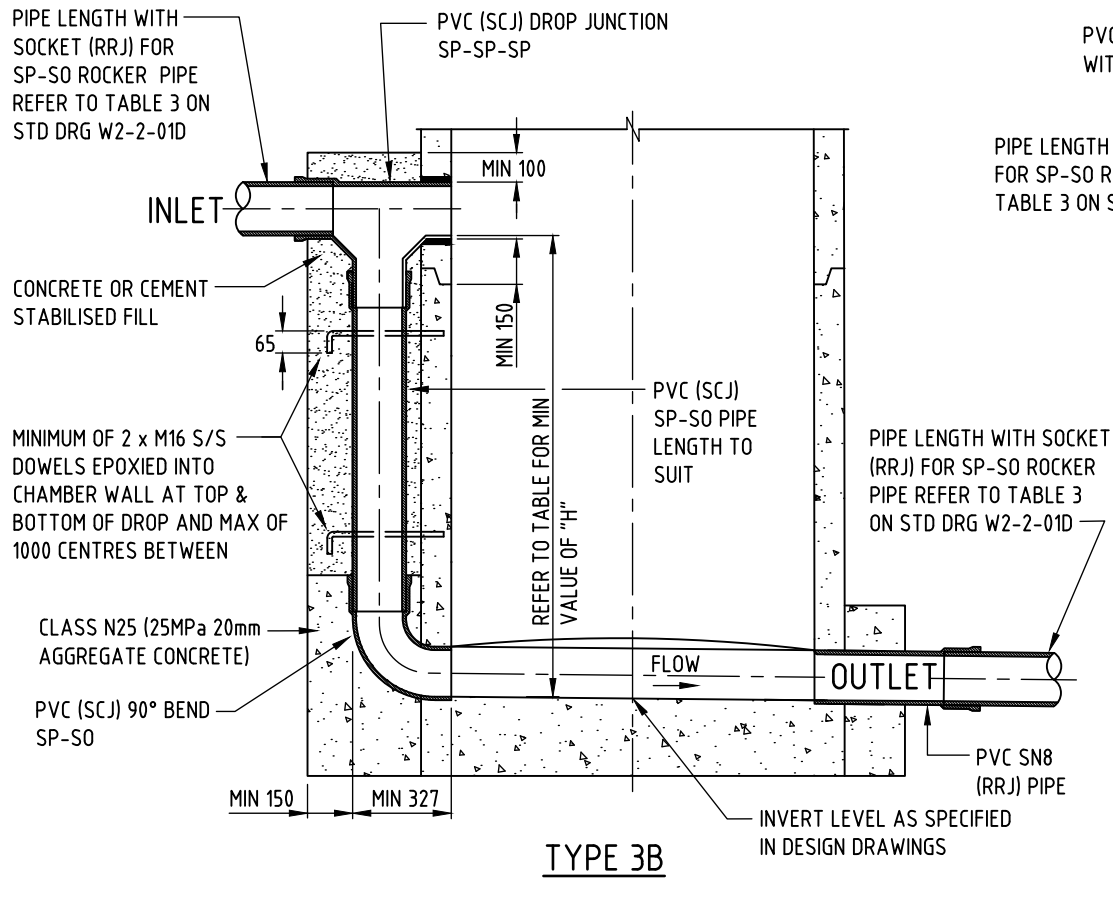
TYPE 1



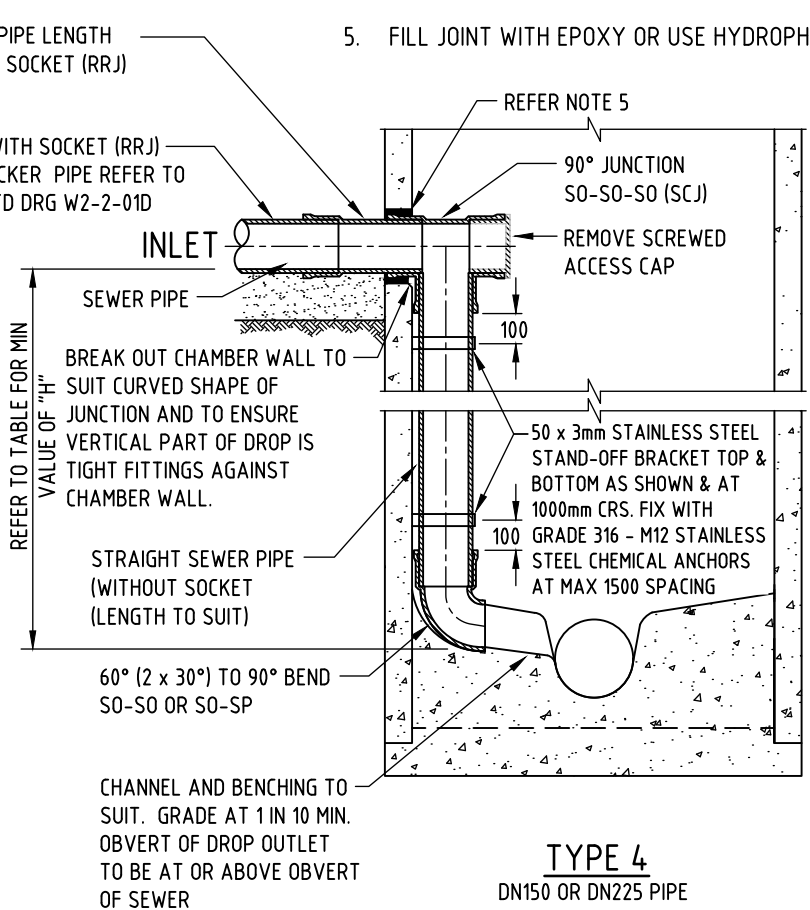
TYPE 2 (NOT PREFERRED)



TYPE 3A FOR DN300 AND ABOVE



TYPE 3B



TYPE 4 DN150 OR DN225 PIPE FOR INTERNAL DROP

NO	DESCRIPTION	DRN	DATE	CKD	APPD
5	GENERAL AMENDMENTS 2018.				
4	SOME FITTINGS AMENDED TO SO-SO-SO.				
3	NOTES AND TABLE AMENDED.				
2	NOTE 2 AMENDED.				
1	REDESIGNED AND REDRAWN FROM OLD DRG.				
AMENDMENTS					

PowerWater
NORTHERN TERRITORY

DES	C.PASCOE	SEWERAGE STANDARD DRAWING		
DRN	R.INNES			
CHK	C.PASCOE	SEWER MAINS - ACCESS CHAMBERS		
APPD	H.YAU			
SCALE	N.T.S.	EXTERNAL AND INTERNAL DROPS		
ISSUED	07/10/96			
ALL DIM. IN mm		A3	DRAWING NUMBER	W2-2-03
DRAFTING STANDARD TO A.S.1100		CAD PRODUCT - DO NOT AMEND MANUALLY		5