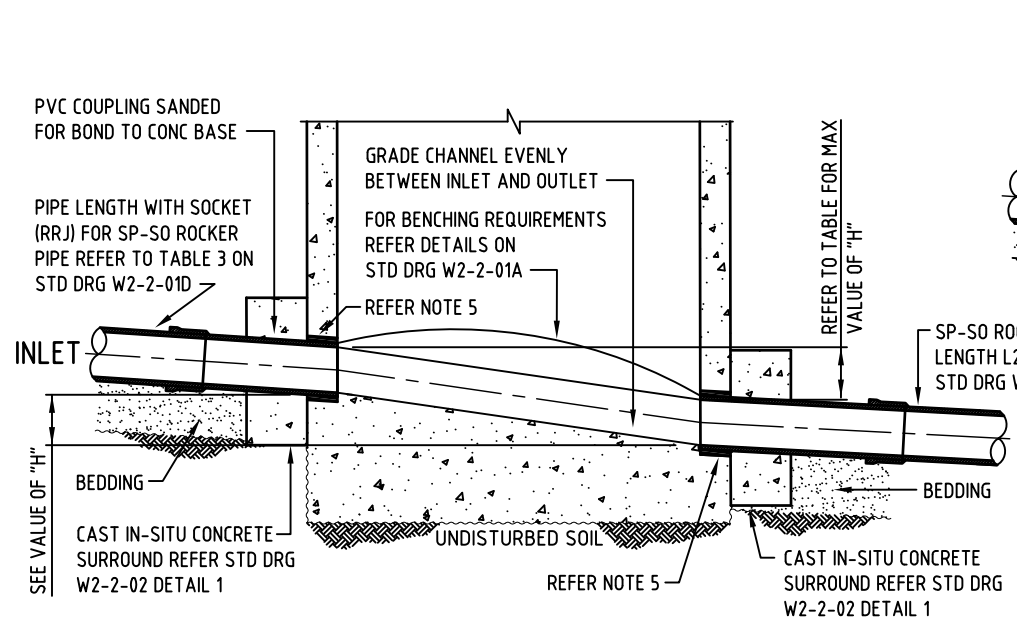


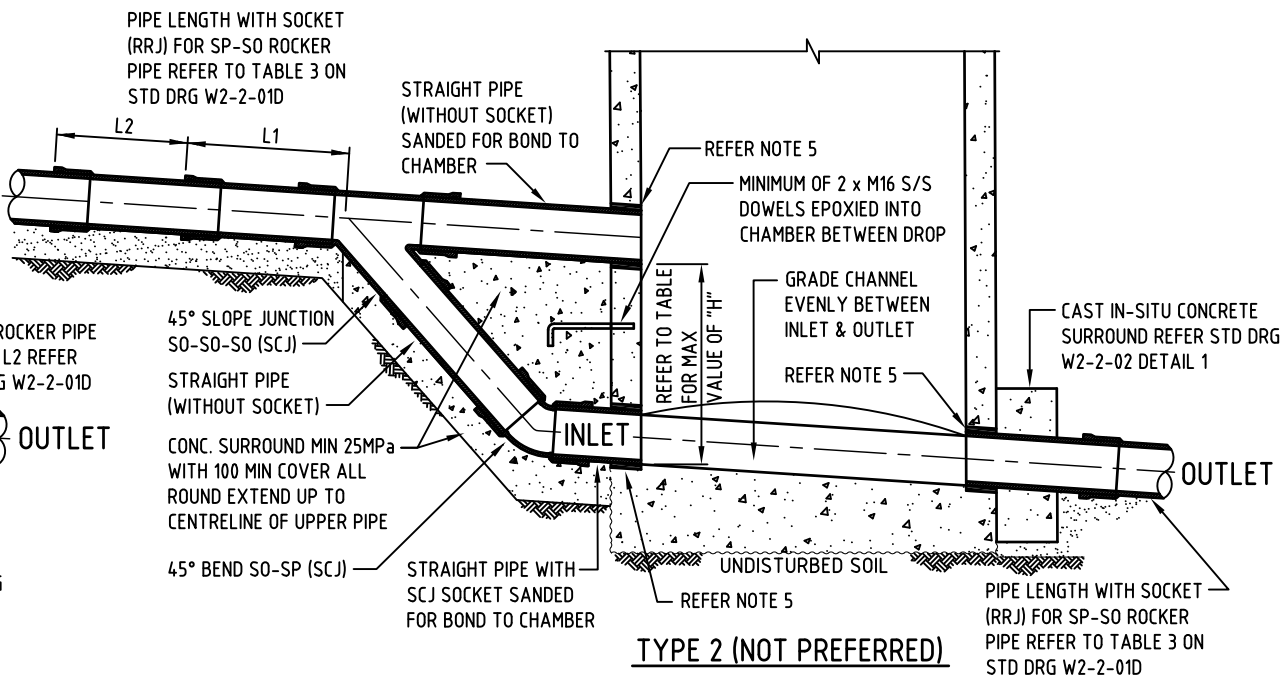
TYPE OF DROP	VALUE OF 'H'		
	DN150	DN225	DN300
TYPE 1	200mm MAX OBVERT TO OBVERT		
TYPE 2 MIN	280	450	N/A
TYPE 2 MAX	600	700	N/A
TYPE 3A	OVER 600	OVER 700	N/A
TYPE 3B	OVER 600	OVER 700	OVER 900
TYPE 4	OVER 600	OVER 700	N/A

NOTES:

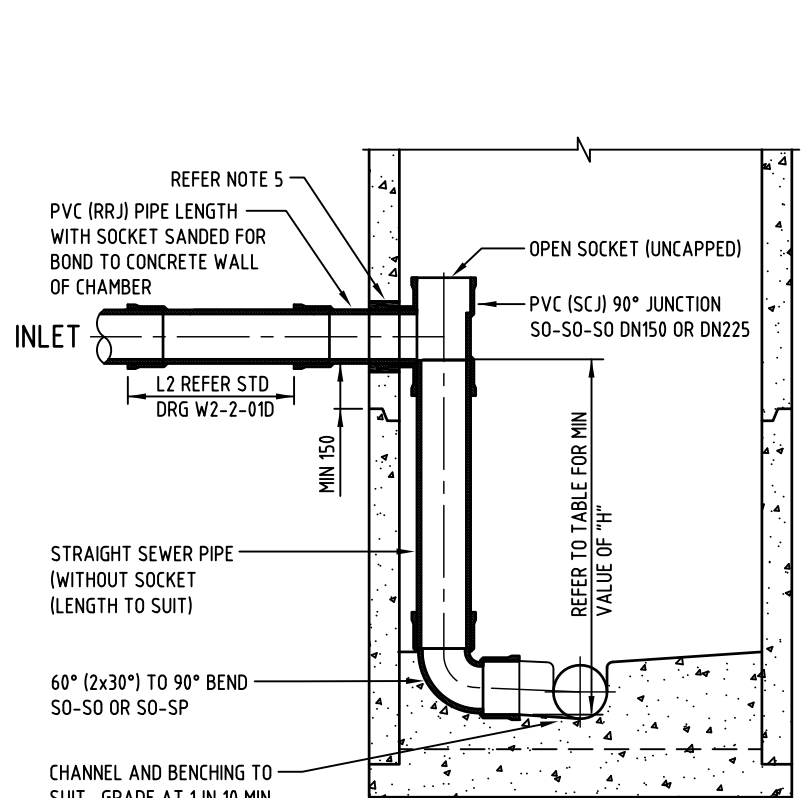
- REFER TO STANDARD DRAWINGS W2-2-01A, W2-2-01D AND W2-2-04 FOR GENERAL DETAILS OF ACCESS CHAMBER CONSTRUCTION.
- UP TO TWO (2) INTERNAL TYPE 4 DROPS MAY BE PERMITTED.
- ALL PIPES FOR DROP TYPES 2, 3 AND 4 TO BE PVC SN8 AND SHALL BEAR THE STANDARDS MARK FOR PRODUCT COMPLIANCE WITH AS1260.
- TYPE 2 EXTERNAL DROP ONLY TO BE USED WHERE SPECIFICALLY APPROVED BY POWER AND WATER. IT IS PREFERRED TO RE-GRADE THE SEWER BETWEEN ACCESS CHAMBERS OR INSTALL TYPE 4 INTERNAL DROP.
- FILL JOINT WITH EPOXY OR USE HYDROPHILIC SEAL.



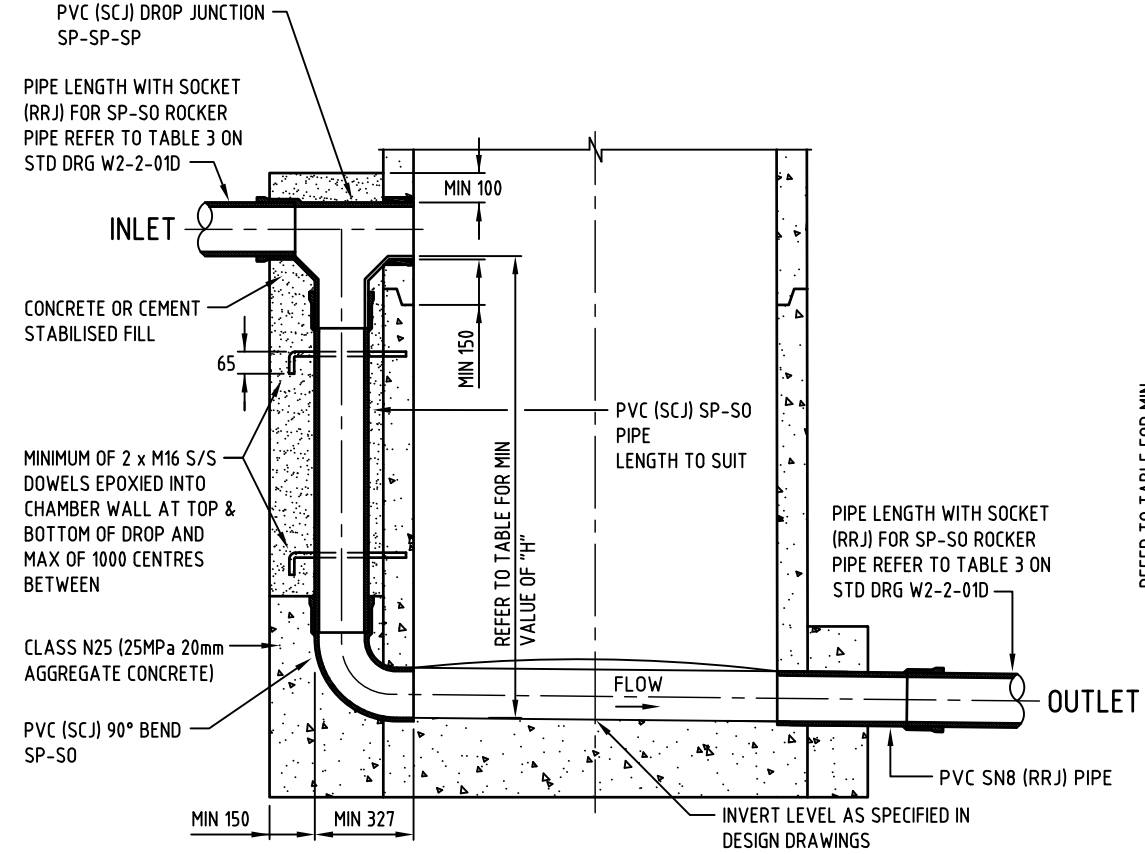
TYPE 1



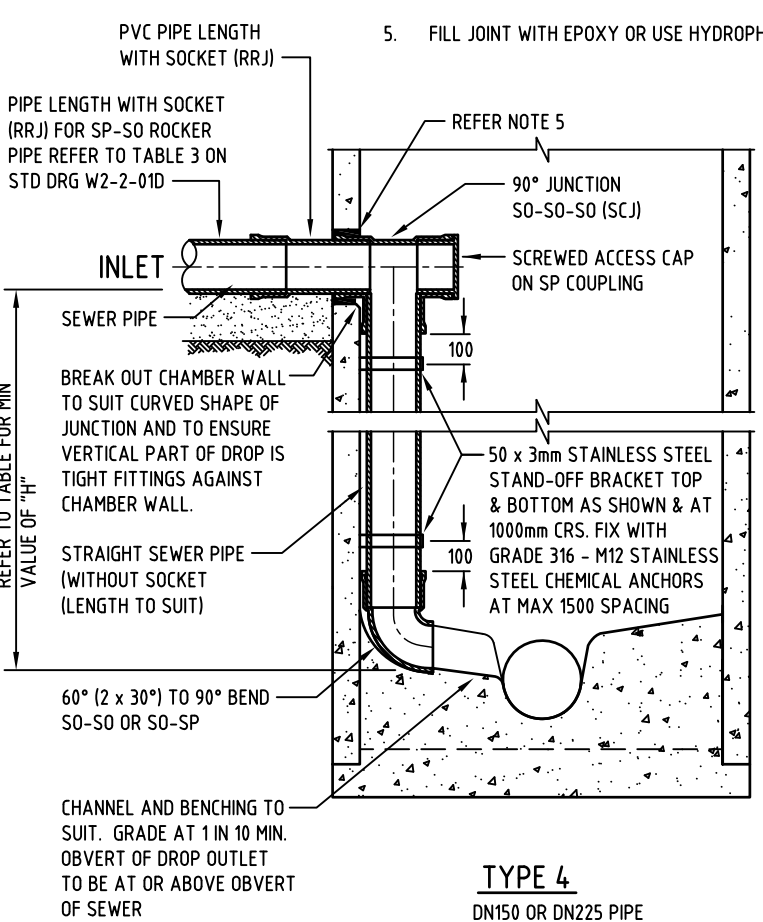
TYPE 2 (NOT PREFERRED)



TYPE 3A



TYPE 3B



TYPE 4
DN150 OR DN225 PIPE FOR INTERNAL DROP)

NO	DESCRIPTION	DRN	DATE	CKD	APPD
AMENDMENTS					

P.W.	SEPT '18	IL.	D.C.
RGI	NOV '08	R.J.	J.P.
RGI	JUN '07	R.J.	J.P.
RGI	JAN '99	CSP	NWM
RGI	DEC '96	CSP	CHY

PowerWater
NORTHERN TERRITORY

DES	C.PASCOE	SEWERAGE STANDARD DRAWING	
DRN	R.INNES	SEWER MAINS - ACCESS CHAMBERS	
CHK	C.PASCOE	EXTERNAL AND INTERNAL DROPS	
APPD	H.YAU	TYPES 1 - 4	
SCALE	N.T.S.	A3	DRAWING NUMBER
ISSUED	07/10/96	W2-2-03	
ALL DIM. IN mm		5	
DRAFTING STANDARD TO A.S.1100		CAD PRODUCT - DO NOT AMEND MANUALLY	