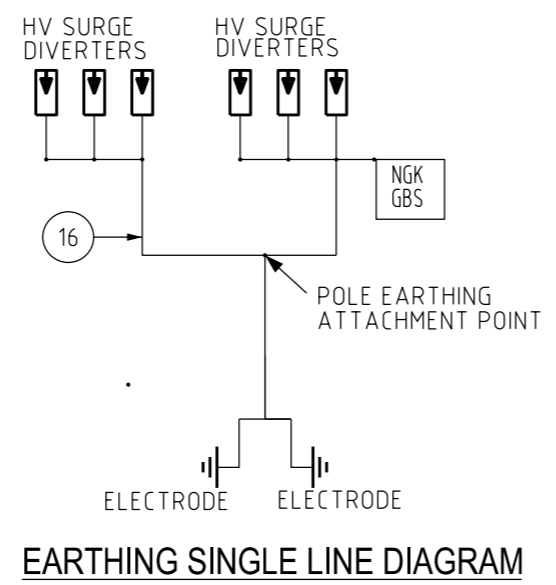
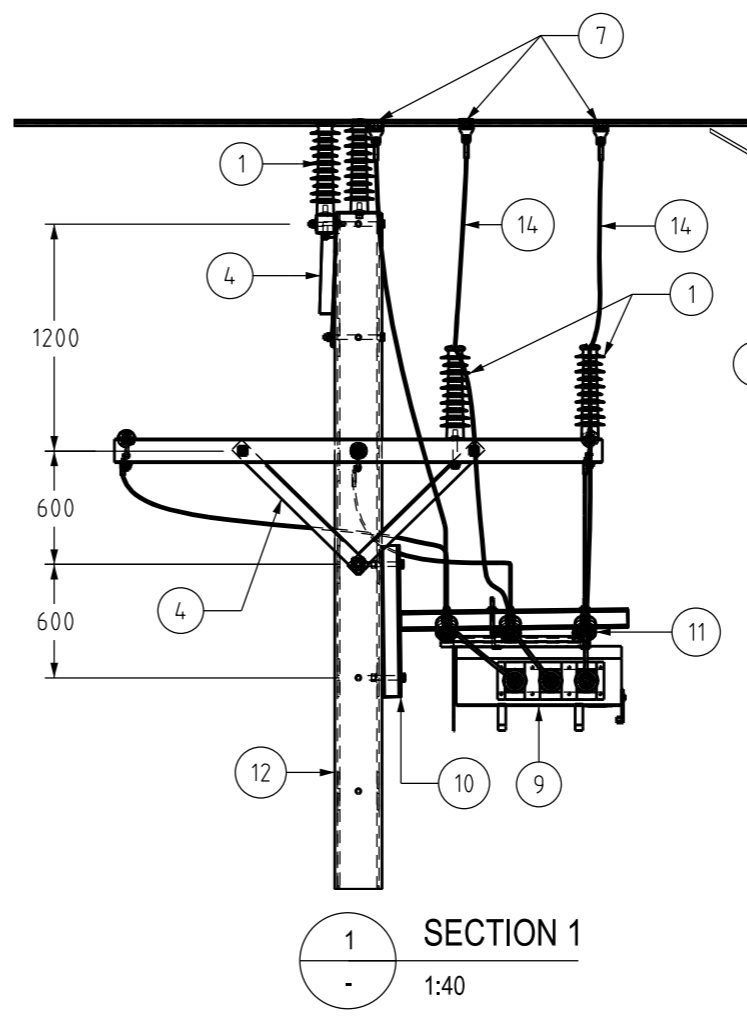


FRONT VIEW
1:100

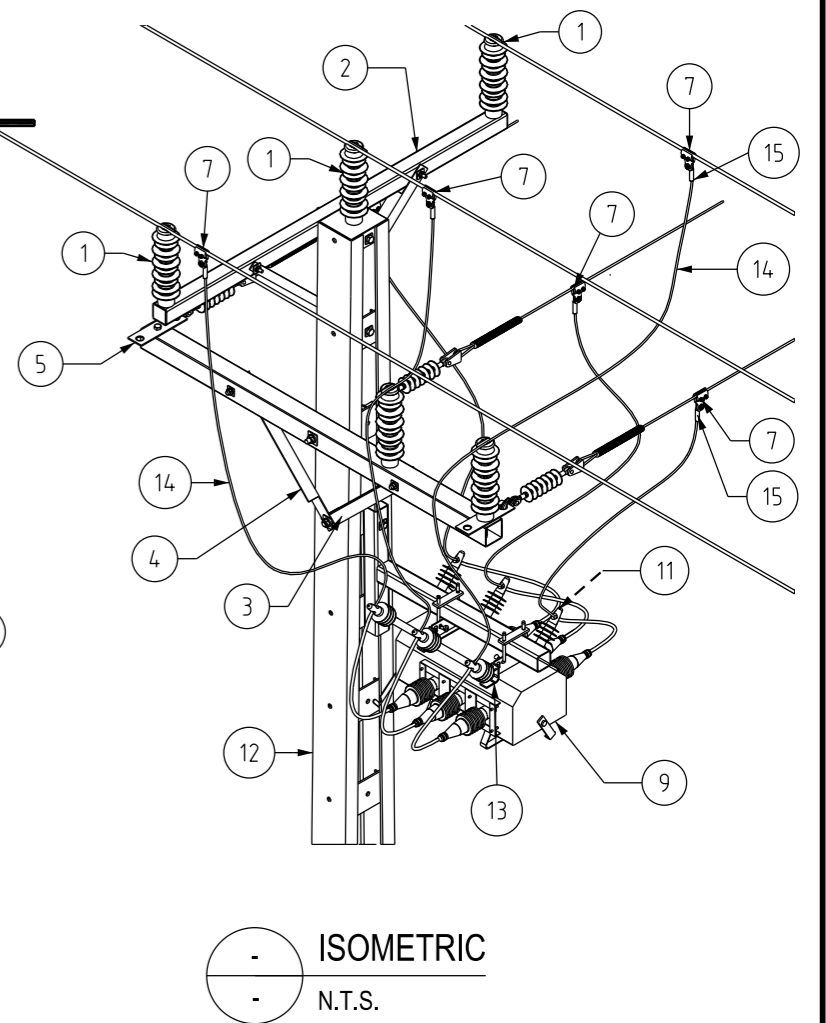
SIDE VIEW
1:100



EARTHING SINGLE LINE DIAGRAM



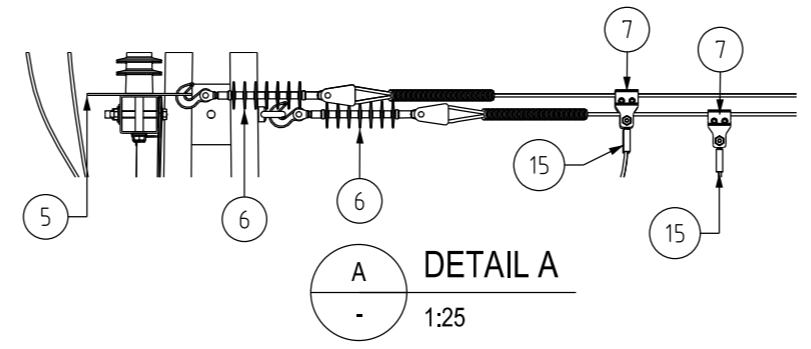
SECTION 1
1:40



ISOMETRIC
N.T.S.

NOTES:

- REFER TO S01-02-03-11, S01-02-03-12 OR S01-02-03-13 FOR UNDERGROUND EARTHING DETAILS. IF EARTHING RESISTANCE EXCEEDS 30 OHMS WITH ALL CMEN/MEN CONNECTIONS REMOVED, THE POLE NEEDS TO BE ASSESSED IN ACCORDANCE WITH EG0/AS7000.
- BOND SWITCH EARTH TO NEAREST SURGE ARRESTOR EARTH STUD VIA 70 SQMM YELLOW/GREEN INSULATED COPPER CABLE.
- FOR LIGHT LOAD APPLICATIONS, ITEM 7 CAN BE INTERCHANGED WITH LIVE LINE BAILS. REEFER TO ITEM 3 DRAWING S01-01-04-10 FOR APPLICATION DETAILS.



DETAIL A
1:25

ITEM	QTY	DESCRIPTION	ITEM NUMBER	DWG No.
16	AR	AR 70sqmm YELLOW/GREEN INSULATED COPPER CABLE	401059	S02-01-01-23
15	12	BELL MOUNTED LUGS FOR 150sqmm FLEX CABLE	402692	S02-01-02-11
14	AR	150sqmm EPR INSULATED FLEXIBLE COPPER CABLE.	300368	S02-01-01-34
13	2	SURGE ARRESTOR MOUNT	413103	S01-01-06-17
12	1	UNIVERSAL LINE POLE	-	-
11	6	SURGE DIVERTER	249433	S01-01-04-19
10	1	NGK GBS HANGING BRACKET	400813	S01-01-06-17
9	1	GBS	400812	S01-01-06-17
8	1	CROSSARM HV TERMINATION FIBREGLASS	-	S01-01-02-10_3
7	6	CLAMP DISCONNECT TEE	2295	S01-01-04-10
6	3	22kv POLYMER SUSPENSION INSULATOR	292656	S01-01-03-09
5	2	SHACKLE HV STRAP	298653	S01-01-04-37
4	2	CROSS ARM BRACE ANGLE	400815	S01-02-01-49
3	2	CROSS ARM BRACE	298687	S01-02-01-49
2	1	CROSSARM HV LINE FIBREGLASS	298802	S01-01-02-10_2
1	5	INSULATOR CYCLOALIPHATIC VERTICAL LINE POST	300467	S01-01-03-10
ITEM	QTY	DESCRIPTION	ITEM NUMBER	DWG No.

MATERIAL SCHEDULE

NO	DESCRIPTION	DRN	DATE	CKD	APPD
0	ISSUED FOR CONSTRUCTION	C.C.	SEP'20	B.C.	B.V.
AMENDMENTS					

PowerWater
NORTHERN TERRITORY

DES B.VANDERSTELT
DRN C.COPPINS
CKD B.VANDERSTELT
APPD B.CHEUNG
SCALE AS SHOWN
ISSUED AUGUST 2020
ALL DIM. IN mm

POWER STANDARD DRAWING

ASSEMBLIES FOR UNIVERSAL POLE CONSTRUCTION HV G TOP SF6 GAS LOAD BREAK SWITCH

A3 **DRAWING NUMBER** S01-02-07-18

DRAFTING STANDARD TO A.S.1100 **CAD PRODUCT - DO NOT AMEND MANUALLY**