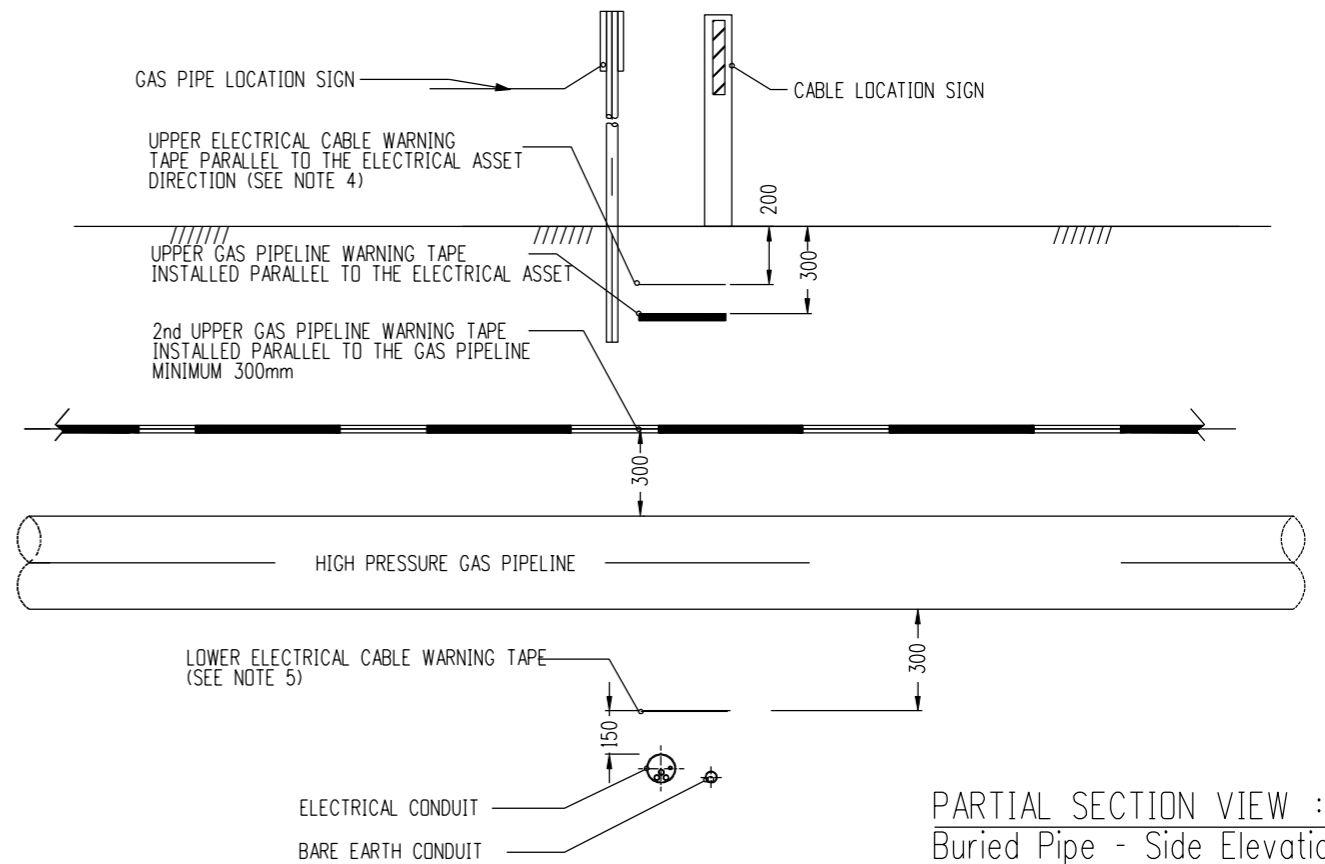


PARTIAL SECTION VIEW: A-A
Buried Pipe - End Elevation



PARTIAL SECTION VIEW :B-B
Buried Pipe - Side Elevation

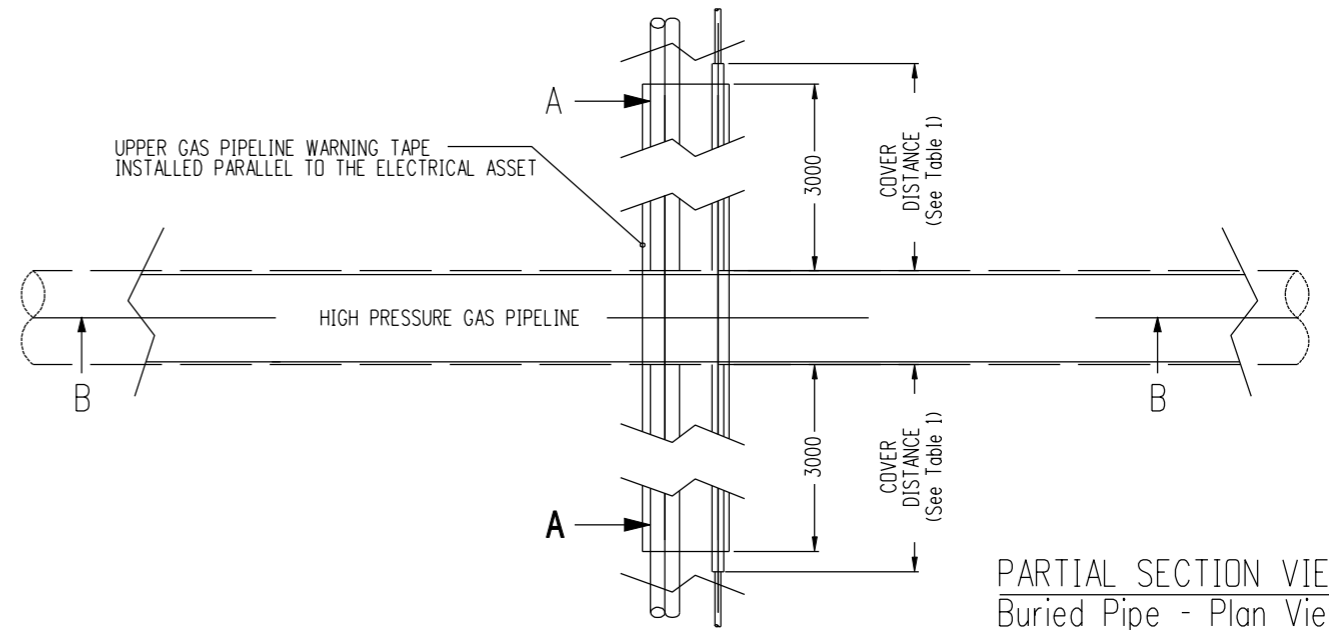
NOTES

1. THIS STANDARD DRAWING HAS BEEN DEVELOPED TO MEET THE REQUIREMENTS OF AUSTRALIAN STANDARD AS 4853.2-2012 AND APA REQUIREMENTS
2. EARTH CABLES CROSSING AN APA METALLIC HIGH PRESSURE GAS PIPE SHALL BE PLACED IN 50MM HDPE CONDUIT FOR A MINIMUM DISTANCE AS IN TABLE 1 BELOW.

TABLE 1- EARTH CABLE CONDUIT COVER DISTANCE (TO EACH SIDE OF GAS PIPELINE)

SOIL RESISTIVITY VALUE IN OHM.M	MINIMUM CONDUIT COVER DISTANCE FOR EARTHING CABLE
UPTO 750 OHM.METRE	7 METRES
ABOVE 750 OHM.METRE TO 2000 OHM.METRE	12 METRES

3. FOR EARTH CABLE CROSSINGS THAT DO NOT FIT THE CRITERIA OF TABLE 1 THEN A DETAIL RISK STUDY IS REQUIRED TO BE CONDUCTED BY APA IN ACCORDANCE WITH AS2885.1 AND AS483:2012 SECTION 4.1
4. ELECTRICAL CABLE WARNING TAPE SHALL BE PLACED 200mm FROM THE SURFACE IN THE ELECTRICAL TRENCH. IT MUST EXTEND AT LEAST 3000mm TO EACH SIDE OF THE PIPELINE CROSSING.
5. IF CABLE INSTALLATION DONE BY EXCAVATION, ELECTRICAL CABLE WARNING TAPE TO BE PLACED IN THE ELECTRICAL TRENCH 300mm BELOW THE PIPELINE AND ABOVE THE ELECTRICAL CABLE. IT MUST EXTEND AT LEAST 3000mm TO EACH SIDE OF THE CROSSING.
6. THE EARTHING CABLE SHALL BE A MINIMUM SIZE OF 70 SQMM BARE COPPER EARTHING CABLE.
7. THE COMBINED EARTHING RESISTANCE OF THE EARTHING SYSTEM SHALL NOT BE GREATER THAN 1 OHM AS TESTED BY STANDARD EARTH TESTING METHOD.
8. NO EARTHING INSTALLATION I.E. BARE EARTHING CABLE OR EARTH STAKES ARE TO BE INSTALLED WITHIN 7M OF EITHER SIDE OF THE PIPELINE. INSTALLATIONS WHERE THIS 7m CLEARANCE CANNOT BE ACHIEVED, SHALL BE REFERRED TO APA FOR REVIEW AND APPROVAL.
9. BARE EARTHING CABLE RUNNING IN PARALLEL TO AND WITHIN A 16M RADIAL DISTANCE OF GAS PIPELINE SHALL HAVE A PARALLEL LENGTH OF MINIMUM 32 METRES AND 70 SQMM EARTHING CABLE.



PARTIAL SECTION VIEW
Buried Pipe - Plan View

NO	DESCRIPTION	DRN	DATE	CKD	APPD
1	ISSUED FOR IMPLEMENTATION	CWM	Jan'13	BC	SC
AMENDMENTS					



DES	Babu Narayana
DRN	Craig McLaren
CKD	Babu Narayana
APPD	Billy Cheung
SCALE	...
ISSUED	December 2012
ALL DIM. IN mm	
DRAFTING STANDARD TO A.S.1100	

EXPOSED EARTH SYSTEM ARRANGEMENT
FOR CROSSING HIGH PRESSURE GAS PIPELINES
NORTHERN TERRITORY - LAYOUT

A3

DRAWING NUMBER
S02-2-5-11

1

AMDT

CAD PRODUCT - DO NOT AMEND MANUALLY