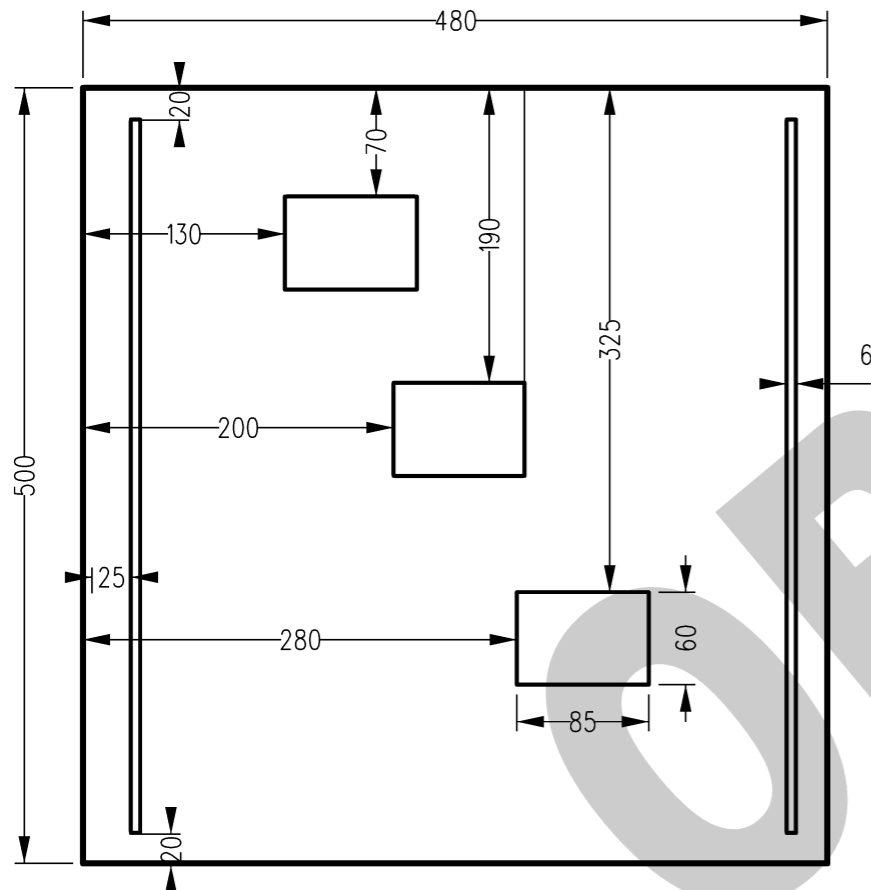
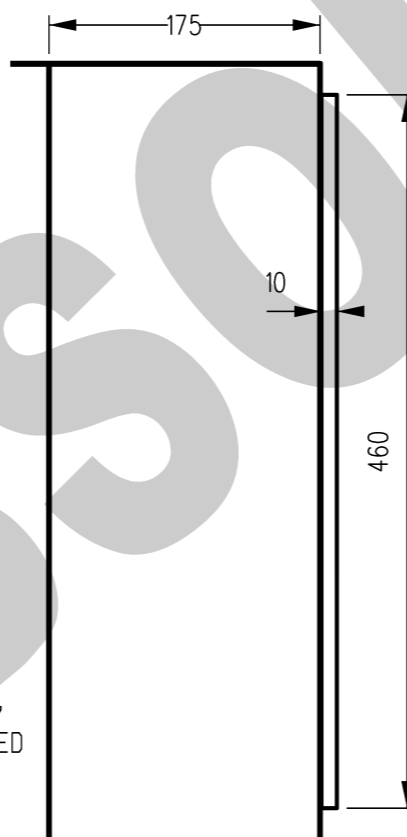


TOP

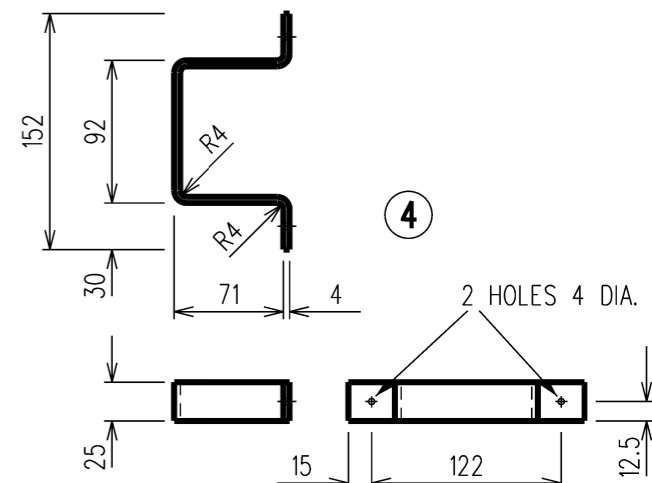
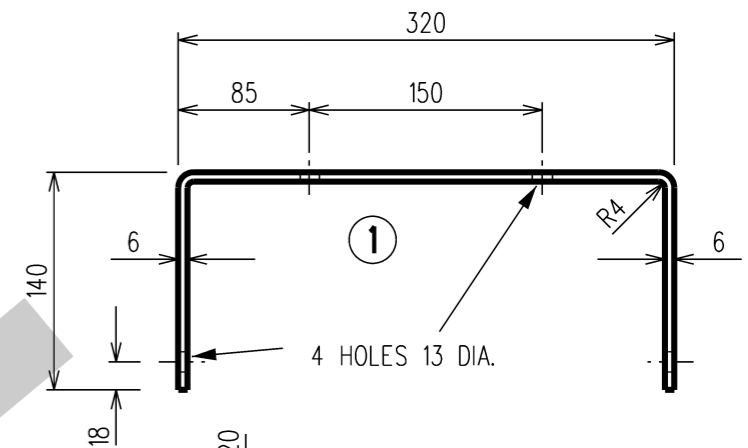
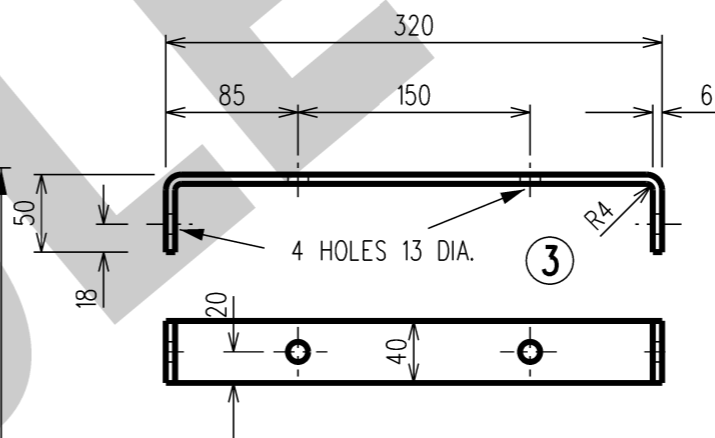
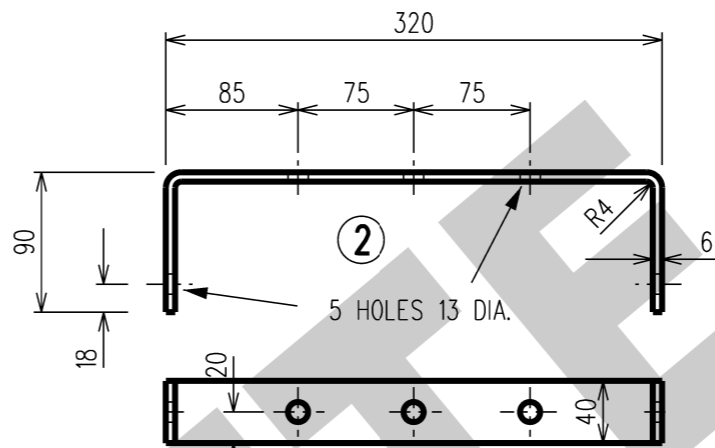
5



FRONT



SIDE



DESIGN NOTE:
RAILS ARE TO PREVENT TURRET COVER HITTING
CB SWITCHES WHEN COVERING PILLAR

ITEM	QTY.	DESCRIPTION	MATERIAL	STOCK CODE
5	1	INTERNAL INSULATED COVER 3mm THICK	CLEAR PERSPEX	
4	3	CIRCUIT BREAKER SUPPORT BRACKET	ALUMINIUM	
3	1	BUSBAR 50 x 320 (BLUE)	COPPER	
2	1	BUSBAR 90 x 320 (WHITE)	COPPER	
1	1	BUSBAR 140 x 320 (RED)	COPPER	

NO	DESCRIPTION	DRN	DATE	CKD	APPD
2	OBSOLETED	R.A.	AUG'21	C.C.C.	B.V.
1	SUPERSEDED	A.T.	DEC'12	B.C.	B.C.
0	ISSUED FOR CONSTRUCTION	K.I.	OCT'05	C.C.	C.C.
AMENDMENTS					

PowerWater

DES PAWC
DRN A. SCHMID
CKD R. CLEOPAS
APPD C. PEMBERTON
SCALE 1 : 5
ISSUED APRIL '04
ALL DIM. IN mm
DRAFTING STANDARD TO A.S.1100

POWER STANDARD DRAWING
**DISTRIBUTION - PILLARS
STREET SIDE TYPE
SERVICE PILLAR/PANEL COMPONENTS**

A3 DRAWING NUMBER S02-01-03-12
CAD PRODUCT - DO NOT AMEND MANUALLY

AMDT