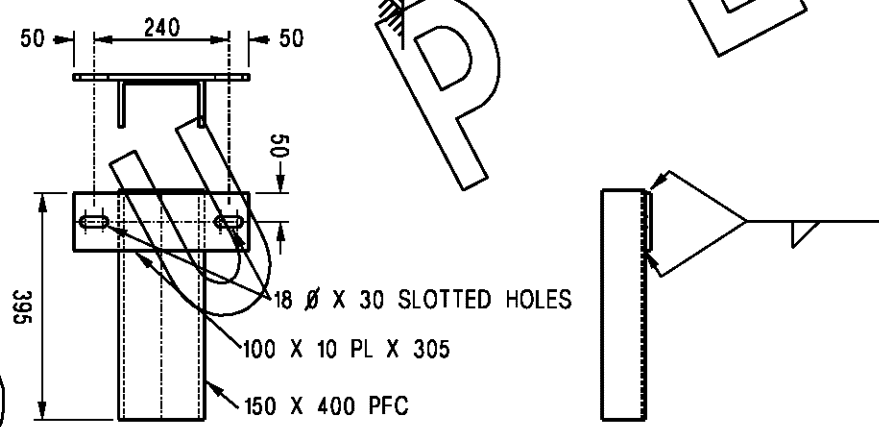
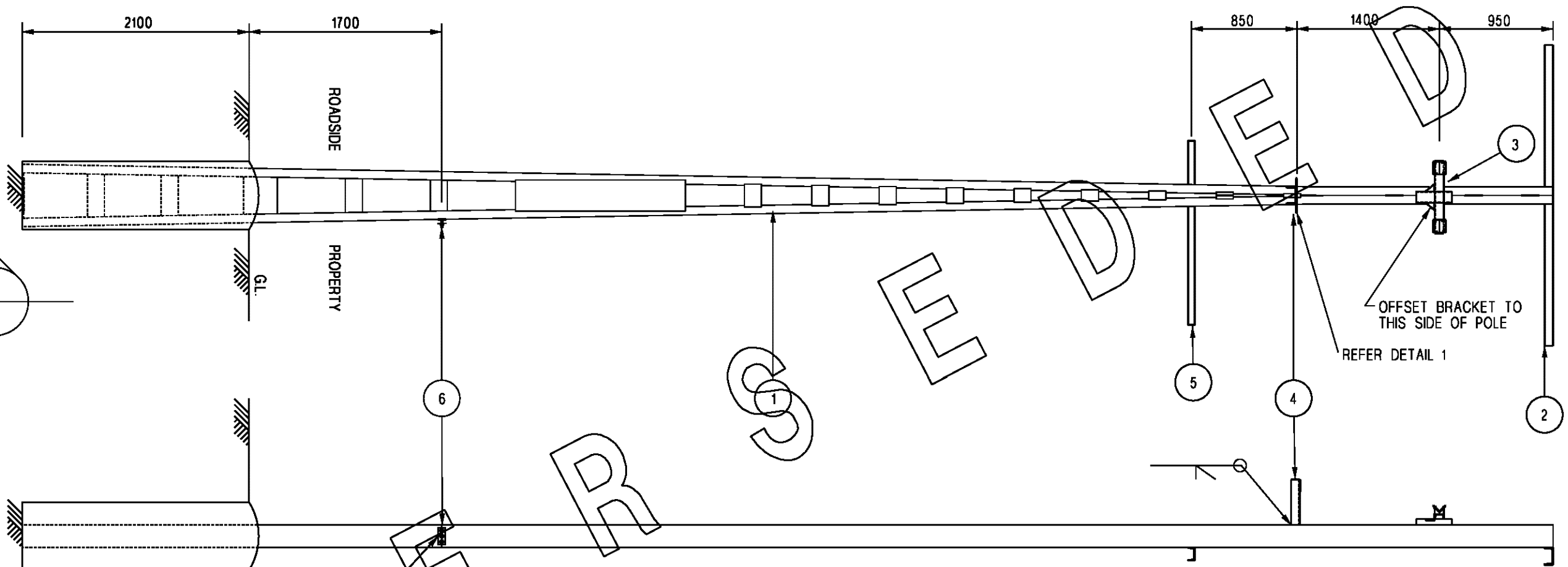


ELEVATION
Scale 1:40

SECTION
Scale 1:40



DETAIL 1 - TRI-FUSE STAND-OFF BRACKET
N.T.S.

NOTES

1. ALL CROSSARMS AND LOAD BEARING ATTACHMENTS SHALL BE FIXED TO THE POLE VIA A 6 mm FILLET WELD ALL ROUND USING E41XX ELECTRODES UNLESS NOTIFIED OTHERWISE.
2. EARTH TEST LINK SHALL BE FIXED TO THE POLE BY INTERMITTENT 6 mm FILLET WELDS (WELD 20, MISS 40) USING E316L STAINLESS STEEL ELECTRODES.
3. AIR BREAK SWITCH MOUNTING BRACKET IS SUPPLIED AS PART OF THE AIR BREAK SWITCH (VERTICAL MOUNTING) CONVERSION KIT (STOCK CODE 250696).
4. THE OPERATING HANDLE SHALL BE MOUNTED IN SUCH A WAY THAT THE OPERATOR WILL BE FACING ON-COMING TRAFFIC.
5. ALL WELDING IS TO COMPLY WITH AS 1554

TAGNo	QTY.	DESCRIPTION	STOCK CODE	DRG REF
6	1	EARTH TEST LINK	9142	S01-01-05-02
5	1	CROSSARM - HV EDO MOUNTING	250829	S01-01-02-03
4	1	TRI-FUSE STAND-OFF BRACKET	-	S01-02-05-16
3	1	ABS BRACKET (REFER NOTE 3)	-	S01-01-06-10
2	1	CROSSARM - HV	-	S01-01-02-02
1	1	LINE POLE - 13.5C	1122	S01-01-01-02

MATERIAL SCHEDULE

NO	DESCRIPTION	DRN	DATE	CKD	APPD
3	OBSOLETE	J.C.	JUN'09	A.T.	S.C.
2	OFFSET BRACKET ELEVATION AMENDED, DIMENSION CHANGED.	J.A.L.	JAN'97	A.B.	F.R.
1	TRI-FUSE STAND-OFF BRACKET ALTERED.	J.A.L.	JUL'95	S.C.M.	P.J.D.

AMENDMENTS



DES	A.T.	POWER STANDARD DRAWING	
DRN	gmck	POLE STRUCTURES	
CKD	N.S.	COMBINED AIR BREAK SWITCH	
APPD	B.T.K.	TRI-FUSE ASSEMBLY	
SCALE	AS SHOWN	A3	DRAWING NUMBER S01-02-05-16
ISSUED	AUG'92		
ALL DIM.	IN mm	DRAWING NUMBER S01-02-05-16	
DRAFTING STANDARD TO A.S.1100		CAD PRODUCT - DO NOT AMEND MANUALLY	

