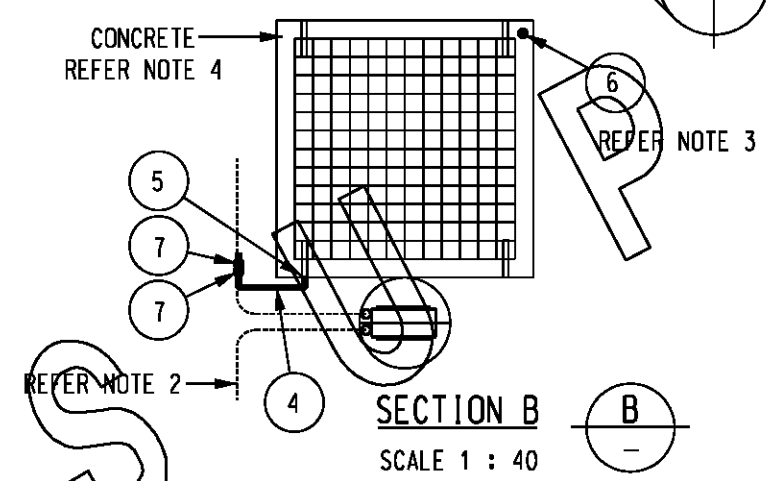


NOTES

1. REFER TO DRAWING NO S01-02-03-10 FOR DETAILS OF EARTHING CONDUCTOR CONNECTIONS.
2. BUSBAR TO BE FIXED TO POLE WITH POWER FASTENERS (e.g. RAMSET) AT MAXIMUM 1000 CENTRES, U.N.O.
3. EARTHMAT TO BE CAST CENTRALLY AND FLUSH WITH TOP SURFACE OF UNREINFORCED SLAB.
4. CONCRETE TO HAVE A DESIGN STRENGTH OF 20MPa.

TAG NO	QTY	DESCRIPTION	STOCK CODE	DRG REF
9	1	WASHER, SPRING M12	239616	-
8	1	WASHER, FLAT M12	113944	-
7	2	SPLIT BOLT 19/2.14	2253	-
6	1	EARTH MAT	11882	S01-01-05-02
5	2	LUG, COPPER COMPRESSION 70sq.mm	5512	-
4	1m	CONDUCTOR, COPPER 19/2.14 70sq.mm	9803	S01-01-05-05
3	1	BOLT M12 X 40 cw NUT	114462	-
2	1	EARTHING BUSBAR HV METAL OXIDE DIVERTER	251413	S01-01-05-02
1	12m	STRAP, EARTHING, COPPER 25mm X 3mm	9837	S01-01-05-05

MATERIAL SCHEDULE



REFER TO DRG. No's. S01-02-03-11, S01-02-03-12 AND S01-02-03-13 FOR APPROPRIATE EARTHING ARR'G'T

NO	DESCRIPTION	DRN	DATE	CKD	APPD
3	SUPERSEDED	A.T.	DEC'12	B.C.	B.C.
2	REDRAWN ON MICROSTATION, ITEMS 6 & 7 ADDED, LOAD & LINE SIDES DESIGNATED, SECTION B ADDED TO DRAWING, NOTES 3 & 4 ADDED.	J.A.L.	DEC'00	M.W.B.F.	R.R.
1	TAG 1 AMENDED	G.R.	FEB'94	pmc	C.H.Y.

AMENDMENTS



DES	POWER STANDARD DRAWING	
DRN gmck	EARTHING HV METERING UNIT - 4 WIRE GENERAL ARRANGEMENT	
CKD N.Stubbs		
APPD B.T.Kent		
SCALE as shown		
ISSUED OCT'92	A3	DRAWING NUMBER S01-02-03-16
ALL DIM. IN mm		
DRAFTING STANDARD TO A.S.1100		CAD PRODUCT - DO NOT AMEND MANUALLY

