

3RD ANGLE -DO NOT SCALE - REPORT ANY ERRORS, OMISSIONS TO DRAFTING OFFICE

**APPLICATION :** TO BE USED ON ALL 11kV & 22kV CONSTRUCTIONS

**MATERIAL** PORCELAIN

**FINISH** GLAZED ALL OVER EXCEPT FOR SURFACES MARKED THUS  $\downarrow$

**COLOUR** BLUE/GREY

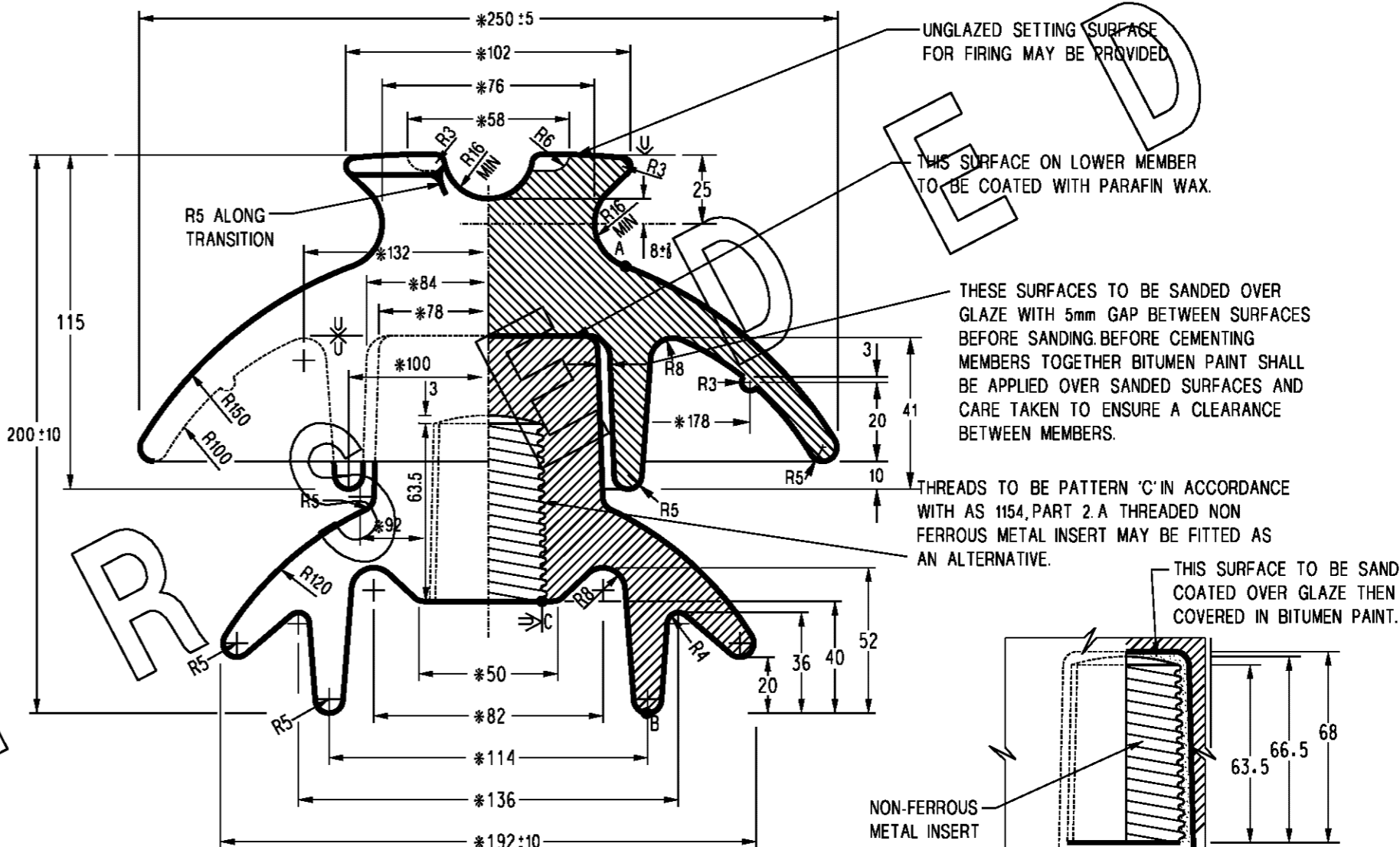
INSULATOR SHALL CONFORM TO AND BE TESTED IN ACCORDANCE WITH AS 2947

**SPECIFIC REQUIREMENTS**

TOLERANCE AS PER AS 2947 EXCEPT WHERE SHOWN OTHERWISE.

MIN. MECHANICAL STRENGTH 11kN (22kV), 7kN (11kV)  
 THREAD TO BE PATTERN C IN ACCORDANCE WITH AS 1154 PART 2.

**MARKING** EACH INSULATOR MUST BE MARKED WITH THE NAME OF MANUFACTURER AND THE MONTH AND YEAR OF MANUFACTURE.



UNGLAZED SETTING SURFACE FOR FIRING MAY BE PROVIDED

THIS SURFACE ON LOWER MEMBER TO BE COATED WITH PARAFIN WAX.

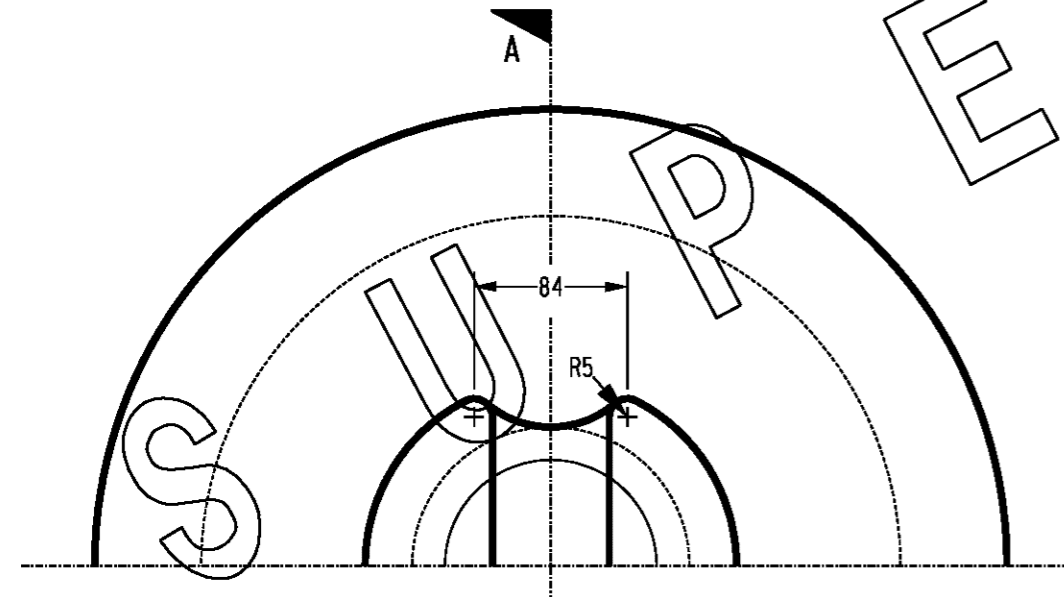
THESE SURFACES TO BE SANDED OVER GLAZE WITH 5mm GAP BETWEEN SURFACES BEFORE CEMENTING MEMBERS TOGETHER BITUMEN PAINT SHALL BE APPLIED OVER SANDED SURFACES AND CARE TAKEN TO ENSURE A CLEARANCE BETWEEN MEMBERS.

THREADS TO BE PATTERN 'C' IN ACCORDANCE WITH AS 1154, PART 2. A THREADED NON FERROUS METAL INSERT MAY BE FITTED AS AN ALTERNATIVE.

THIS SURFACE TO BE SAND COATED OVER GLAZE THEN COVERED IN BITUMEN PAINT.

NON-FERROUS METAL INSERT

ALTERNATIVE THREAD INSERT



22kV INSULATOR  
 TYPE FLP 22/480  
 STOCK CODE 3178

TYPE	SYSTEM MAX. VOL. kV R.M.S.	MIN IMPULSE WITHSTAND PEAK kV	MIN WET WITHSTAND AT P.F. kV	MIN PUNCTURE WITHSTAND	MIN. CREEPAGE DIST.		
					A TO B	B TO C	TOTAL
FLP 22/480	24kV	150kV	50kV	210kV	390	90	480

NO	DESCRIPTION	DRN	DATE	CKD	APPD
8.	SUPERSEDED BY DWG S01-01-03-10	K.I.	JUL'05	C.C.	C.C.
7.	REDRAWN ON CAD	A.D.	05/98	R.I.	F.R.
6.	11kV INSULATOR REMOVED	N.S.	5/92	-	-
5.	REFERENCE TO AS 2947 ADDED	-	4/91	A.K.	-
4.	TITLE & NUMBER CHANGED	-	7/87	-	-
3.	ITEM & STOCK CODES ADDED	-	1/87	B.K.	-
2.	NOTE DELETED	-	2/86	-	-
1.	REDRAWN 22kV INSULATOR WAS SLP.	G.Mc	9/85	-	-



DES	G.McSHANAG	POWER STANDARD DRAWING		
DRN	A.DAVIS	<b>INSULATORS          HV          LINE PIN 11kV &amp; 22kV</b>		
CKD	R.INNES			
APPD	F.ROBSON			
SCALE	N.T.S.			
ISSUED	MAY'98	A3	DRAWING NUMBER	S01-01-03-05
ALL DIM. IN mm				
DRAFTING STANDARD TO A.S.1100		CAD PRODUCT - DO NOT AMEND MANUALLY		AMDT