

3 x SINGLE PHASE CONSUMERS

1 x THREE PHASE CONSUMER

NOTES:

1. FOR COMPONENT DRILLING DETAILS REFER TO S11-02-07-23
2. MAIN SWITCH SHALL BE SINGLE PHASE IF THREE PHASE SUPPLY NOT AVAILABLE.
3. PANEL SIZE AND COMPONENT ARRANGEMENT FOR 1 x THREE PHASE CONSUMER IS IDENTICAL TO THAT FOR 3 x SINGLE PHASE CONSUMERS.

SUPERSEDED

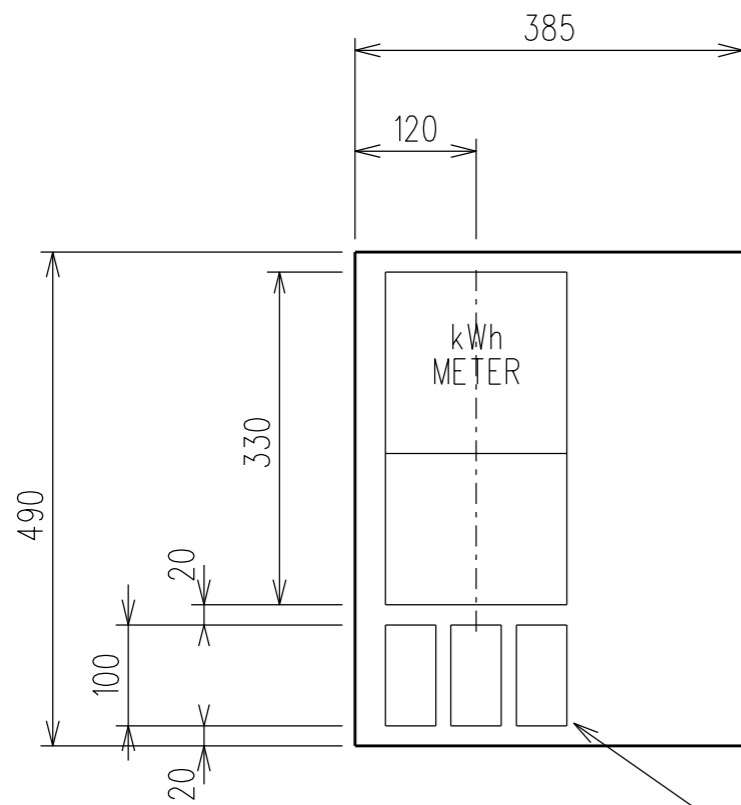
REFER DRG No. S11-02-07-04-3

3	SUPERSEDE SHEET 1	CWM	OCT'20	BV	LH
2	PAGE 3 AMENDED	CWM	12.19	BV	-
1	CHANGED TO 1 OF 3	CWM	01.13	BN	-
0	SHEET 2 ADDED	JC	09.09	AT	-
A	ISSUED FOR COMMENT	AS	01.02	-	-
NO	DESCRIPTION	DRN	DATE	CKD	APPD
AMENDMENTS					

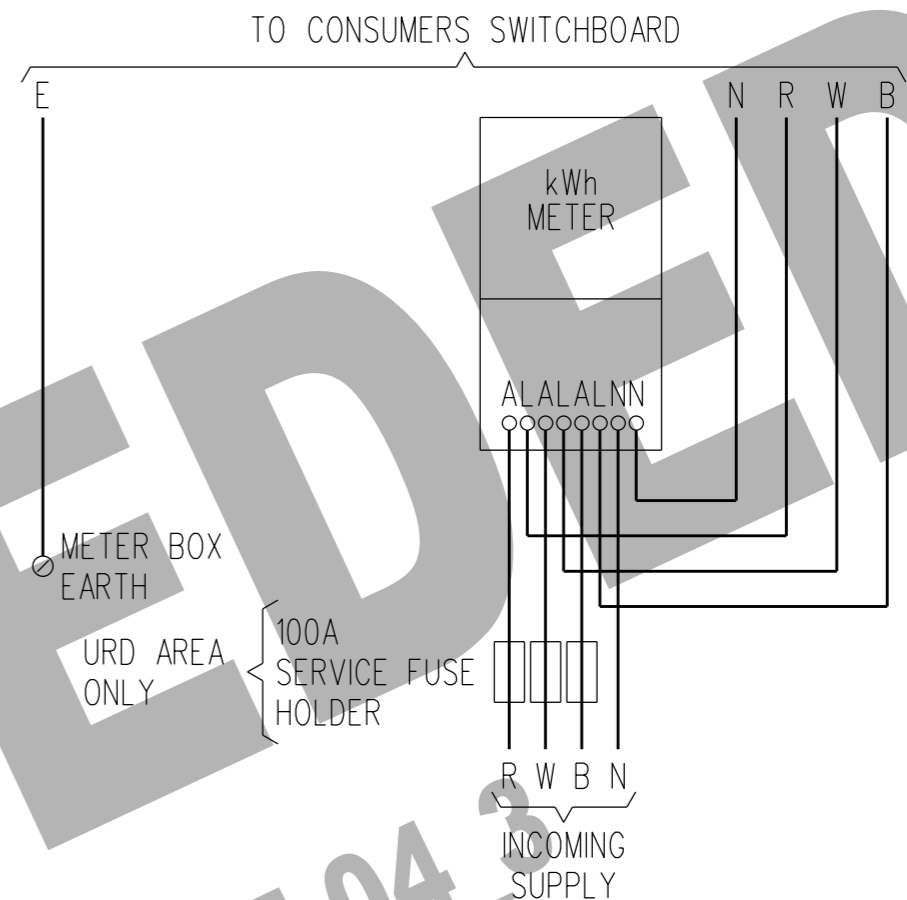


DES	.	POWER STANDARD DRAWING	
DRN	A SCHMID	THREE PHASE METERING PANELS WITH THREE SINGLE PHASE METERS	
CKD	.	SHEET 1 OF 3	
APPD	.	A3	DRAWING NUMBER S11-02-07-04_1
SCALE	1:10		
ISSUED	.	DRAFTING STANDARD TO A.S.1100	
ALL DIM. IN mm		CAD PRODUCT - DO NOT AMEND MANUALLY	





SERVICE FUSES



SEE NOTE 4.

METER BOX EARTH

URD AREA ONLY

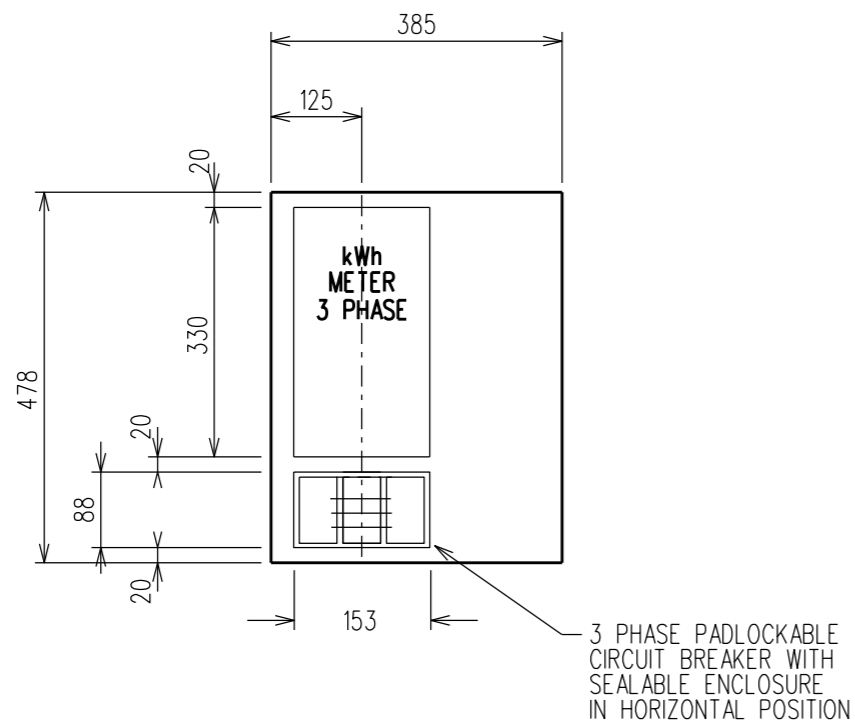
100A SERVICE FUSE HOLDER

R W B N  
INCOMING SUPPLY

**NOTES :**

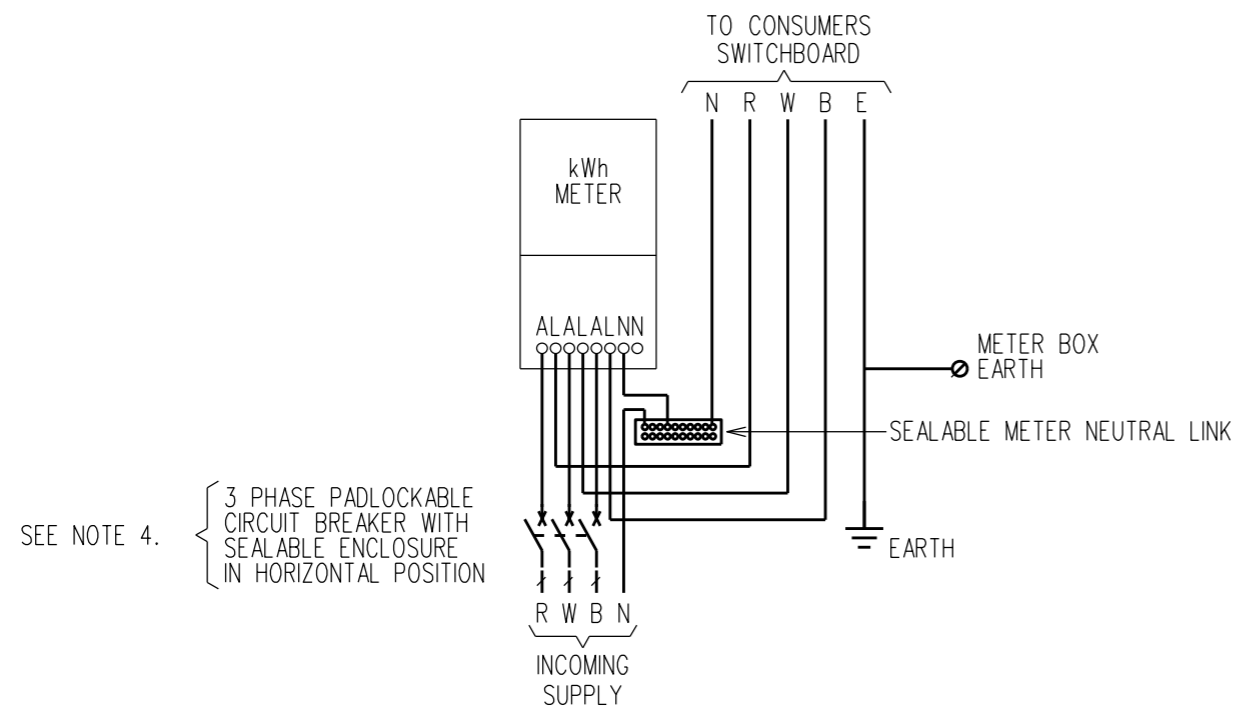
1. FOR METER DRILLING DETAILS SEE S11-02-07-23 SHEET 3
2. TOP OF SERVICE FUSE (WHEN FITTED) SHALL BE LIVE
3. METER BOX EARTH SHALL BE CONNECTED TO INSTALLATION MAIN EARTH.
4. UNDERGROUND RESIDENTIAL DISTRIBUTION
5. FOR 3x1 PHASE CONSUMERS, REFER TO S11-02-07-01 SHEET 2 FOR WIRING DETAILS AND S11-02-07-45 FOR PANEL ARRANGEMENT

4 3 2 1 0 A	SUPERSEDE SHEET 2 PAGE 3 AMENDED CHANGED TO SHEET 2 OF 3 SHEET 2 ADDED APPROVED FOR INSTALLATION ISSUED FOR COMMENT	CWM CWM JC RW RW	OCT'20 12.19 01.13 09.09 4.9.09 4.9.09	BV BV BN AT NC NC	LH - - - - -	 NORTHERN TERRITORY	DES N COAD	POWER STANDARD DRAWING	
							DRN R WILLIAMS	THREE PHASE METERING PANELS WITH THREE SINGLE PHASE METERS - CONSUMER UP TO 100A SHEET 2 OF 3	
NO DESCRIPTION		DRN	DATE	CKD	APPD	 NORTHERN TERRITORY	APPD B KISON	SCALE 1:10	A3 DRAWING NUMBER S11-02-07-04_2
AMENDMENTS							ISSUED 4.09.09	ALL DIM. IN mm	
							DRAFTING STANDARD TO A.S.1100	CAD PRODUCT - DO NOT AMEND MANUALLY	



**NOTES :**

1. FOR METER DRILLING DETAILS SEE METERING STD DWG S11-2-7-23 SHEET 3.
2. THREE PHASE CIRCUIT BREAKER SHALL BE PADLOCKABLE IN THE OFF POSITION AND INSTALLED IN THE HORIZONTAL POSITION.
3. METER BOX EARTH SHALL BE CONNECTED TO INSTALLATION MAIN EARTH.
4. CIRCUIT BREAKERS SHALL BE THREE PHASE, 63A, 10kA, C CURVE TYPE CIRCUIT BREAKER.
5. FOR METER PANELS FITTED WITH PADLOCKABLE CIRCUIT BREAKERS A 100A FUSE SHALL BE INSTALLED IN THE URD PILLER OR 80A FUSE IN OVERHEAD SERVICE FUSE HOLDER.
6. THE EARTH CABLE FROM THE EARTH STAKE TO THE CONSUMERS SWITCHBOARD EARTH BAR SHALL BE CONTINUOUS AND UNBROKEN. THE EARTH CABLE SHALL BE CONNECTED TO THE METER BOX EARTH BY EXPOSING A SECTION OF THIS CABLE AND JOINING A CONNECTING CABLE BY AN ACCEPTED METHOD INCLUDING SOLDERING OR USE OF AN EARTH BLOCK. THE METER BOX EARTH POINT SHALL NOT BE USED AS A JUNCTION POINT AND ONLY SERVES AS A PURPOSE TO EARTH THE CABINET.



NO	DESCRIPTION	DRN	DATE	CKD	APPD
3	UPDATE EARTHING NOTES.	CWM	OCT'20	LH	BV
AMENDMENTS					



DES	B.NARAYANA	POWER STANDARD DRAWING	
DRN	CWM	THREE PHASE METERING PANELS WITH THREE SINGLE PHASE METERS - CONSUMER UP TO 100A SHEET 3 OF 3	
CKD	B.NARAYANA	A3	DRAWING NUMBER S11-02-07-04_3
APPD	B.NARAYANA		
SCALE	1:10		
ISSUED	01.2013		
ALL DIM.	IN mm		
DRAFTING STANDARD TO A.S.1100		CAD PRODUCT - DO NOT AMEND MANUALLY	

