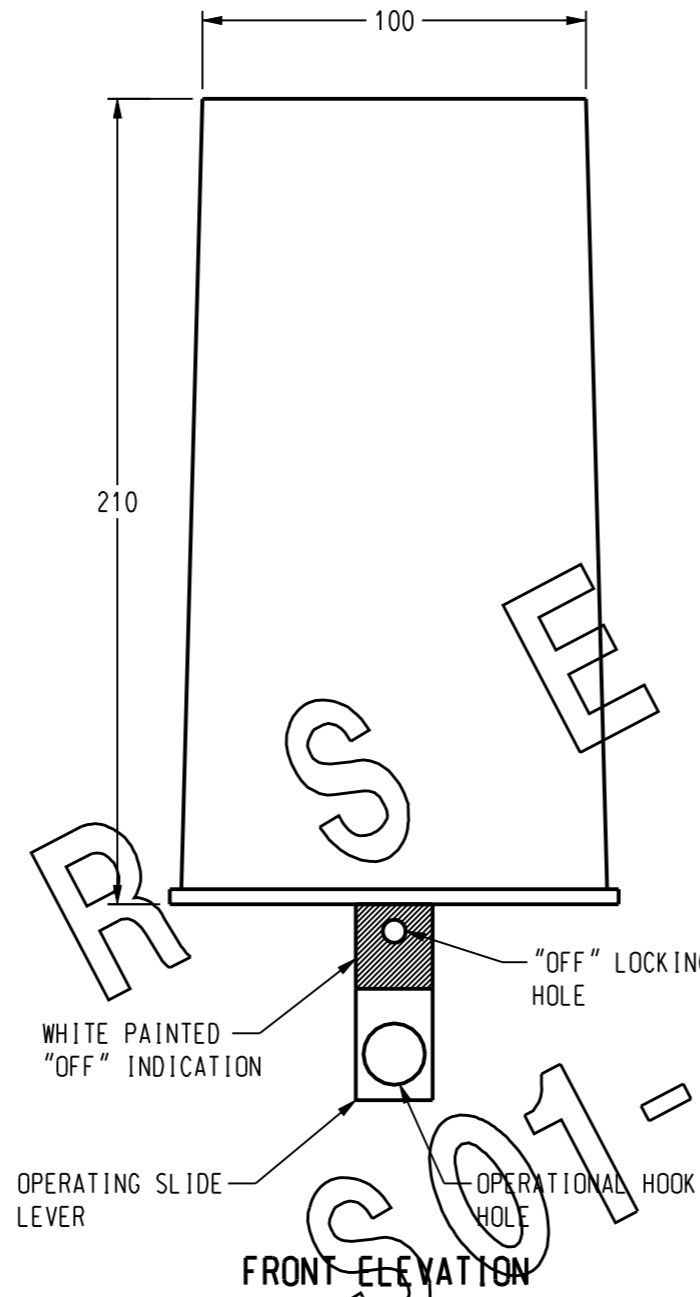
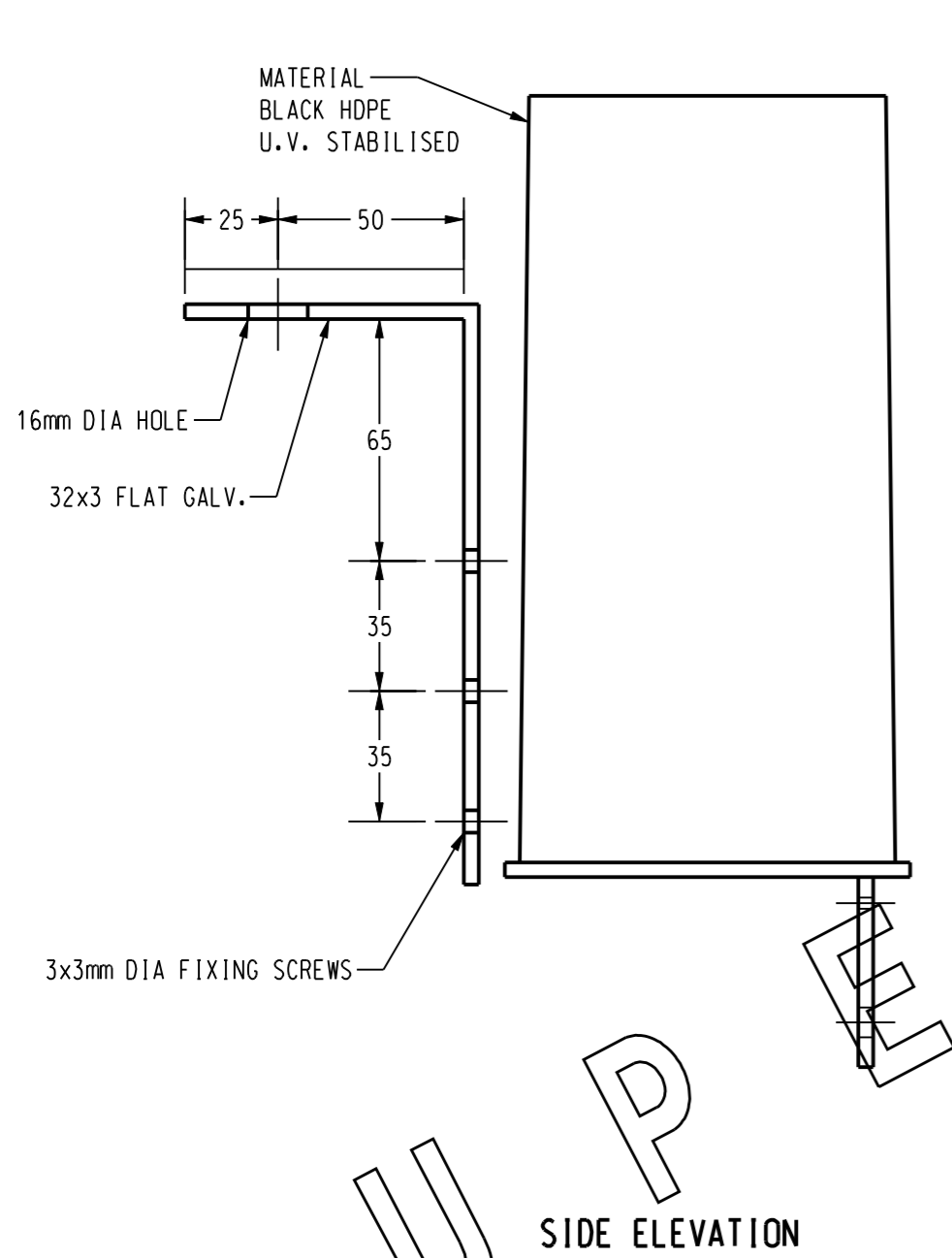


3RD ANGLE -DO NOT SCALE - REPORT ANY ERRORS, OMISSIONS TO DRAFTING OFFICE

BY



**CIRCUIT BREAKER BOX ACCESSORIES**

ITEM	DESCRIPTION	HEINEMANN PART No.	ITEM No.
1	CIRCUIT BREAKER BOX & BRACKET	PM3 - PB-NT-MB	206490
2	OPERATING SLIDE LEVER 1 POLE	PM3 - 130661	207043
3	OPERATING SLIDE LEVER 3 POLE	PM3 - 130662	207050
4	NEUTRAL BLOCK CLIP IN (50sq.mm)	PM3 - NB	207068

**CIRCUIT BREAKER OPTIONS**

ITEM	DESCRIPTION	HEINEMANN PART No.	ITEM No.
5	1 POLE - 63 AMP	CF1 - 63	7294
6	3 POLE - 63 AMP	CF3 - 63	206995
X	XXX	XX	XXX
8	3 POLE - 100 AMP	CF3 - 100	206987

**NOTES :**

- CIRCUIT BREAKER BOXES (ITEM 1) TO BE SUPPLIED WITH MOUNTING BRACKET BUT WITHOUT OPERATING SLIDE LEVERS, NEUTRAL LINKS OR CIRCUIT BREAKER.

**ITEM - CIRCUIT BREAKER BOX & BRACKET - POLE MOUNTED**

ITEM NUMBER 206490

2 1	TITLEBLOCK & DRAWING NUMBER FORMATTED REDRAWN ON CAD.	K.T. A.D.	JAN'20 MAY'98	C.C. R.I.	C.C. F.R.	DES	-	POWER STANDARD DRAWING	
	DRN					A.DAVIS	SWITCHGEAR		
AMENDMENTS						CKD	R. INNES	LV - ABC	
						APPD	F. ROBSON	COMBINATION SWITCH	
						SCALE	N.T.S.	ISOLATOR / FUSE	
						ISSUED	MAY'98	A3	DRAWING NUMBER
						ALL DIM. IN mm			
						DRAFTING STANDARD TO A.S.1100		CAD PRODUCT - DO NOT AMEND MANUALLY	

