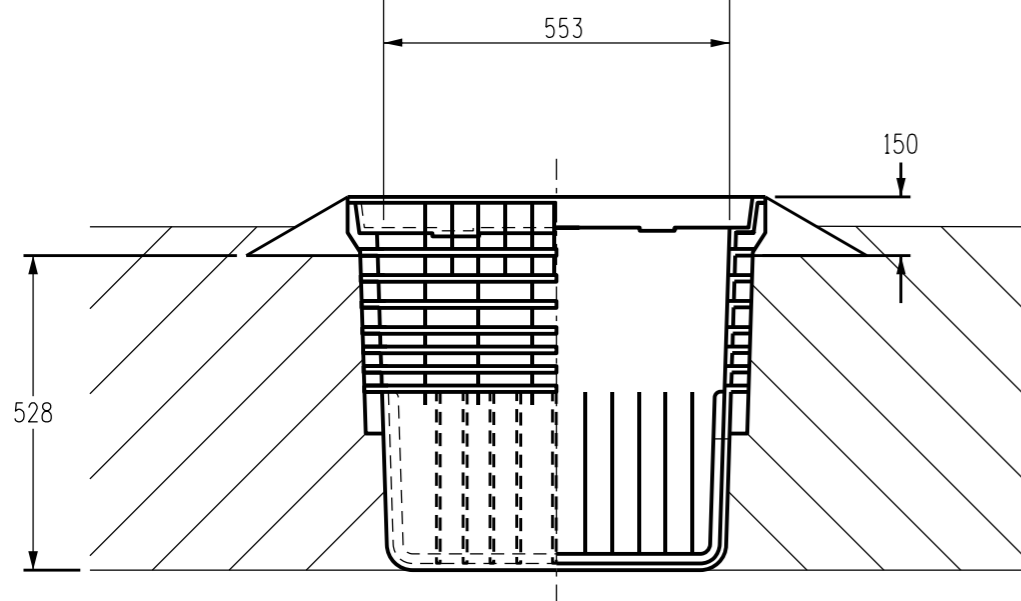
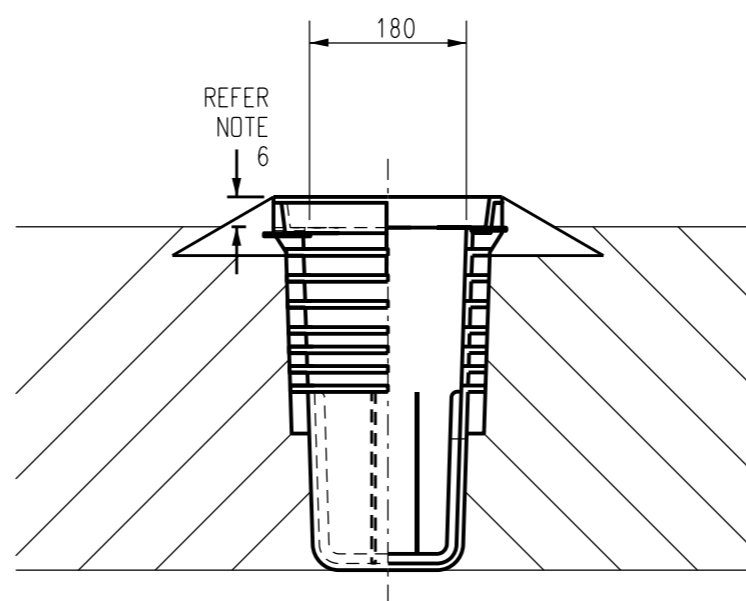


Plan



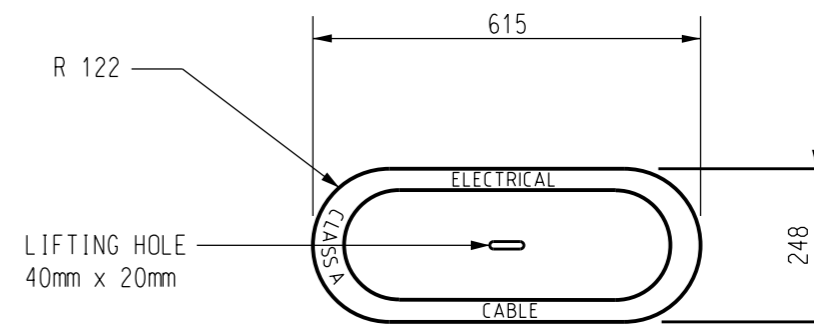
Elevation/Section



End Elevation/Section

ITEM 1 - PIT CABLE JOINTING

(ITEM NUMBER 247759)



Plan



Elevation

ITEM 2 - COVER CABLE JOINTING PIT

(ITEM NUMBER 247767)

NOTES:

1. CABLE JOINTING PIT (ITEM 1) MATERIAL TO BE HIGH DENSITY POLY-ETHYLENE.
2. CONCRETE COVER TO HAVE A MINIMUM COMPRESSIVE DESIGN STRENGTH (F' c) OF 32 MPa AT 28 DAYS.
3. ALL REINFORCEMENT, CONCRETE AND CONCRETE MATERIALS SHALL BE IN ACCORDANCE WITH AS3600.
4. ENGRAVED LETTERING IN CONCRETE COVER TO BE
 - 55mm HIGH
 - 6mm THICK
 - 5mm DEEP
5. CONCRETE COVER TO HAVE A NON-SKID FINISH ON THE UPPER SURFACE AND NON-CONDUCTIVE COATING TO BE APPLIED TO THE TOP SURFACE OF THE COVER.
6. PIT TO BE 100mm ABOVE GROUND LEVEL IF NOT LANDSCAPED, OR 25mm IF LANDSCAPED.
7. AREA AROUND LID MUST BE RIGIDLY SUPPORTED BY MIN 150mm WIDE x 150mm DEEP CONCRETE SURROUND.
8. DESIGN OF COVER SHOULD MEET AS3996 CLASS A DESIGN LOAD.
9. COVER IS NOT BE USED IN ROADWAYS.
10. ALL EDGES TO BE SMOOTH.

7	AMENDED NOTES 2 & 5. ADDED NOTES 8, 9 & 10.	P.B.	APR'22	B.C.	B.V.
6	UPDATED PIT COVER IMAGERY AND DIMENSIONS, CORRECTED SPELLINGS.	A.N.	AUG'21	C.C.C.	B.V.
5	TITLEBLOCK & DRAWING NUMBER FORMATTED	K.T.	FEB'19	C.C.	C.C.
4	PIT LID REVERTED BACK TO CONCRETE	A.T.	MAY'16	I.B.	B.C.
3	PIT LID DETAILS CHANGED, PUCK DETAIL ADDED	A.T.	NOV'12	B.C.	B.C.
2	GROUND LEVEL DETAILS CHANGED	A.T.	SEP'11	B.C.	S.C.
1	CONCRETE SURROUND ADDED	J.C.	SEP'07	A.T.	A.T.
0	ISSUED FOR CONSTRUCTION	K.I.	JUL'05	C.C.	C.C.
NO	DESCRIPTION	DRN	DATE	CKD	APPD
AMENDMENTS					



DES	A.Tice	POWER STANDARD DRAWING		
DRN	gmck	MISCELLANEOUS PIT CABLE JOINTING		
CKD	N.Stubbs			
APPD	B.T.Kent			
SCALE	1:10			
ISSUED	DEC '91	A3	DRAWING NUMBER	S03-01-06-01
ALL DIM.	IN mm			
DRAFTING STANDARD TO A.S.1100			CAD PRODUCT - DO NOT AMEND MANUALLY	

