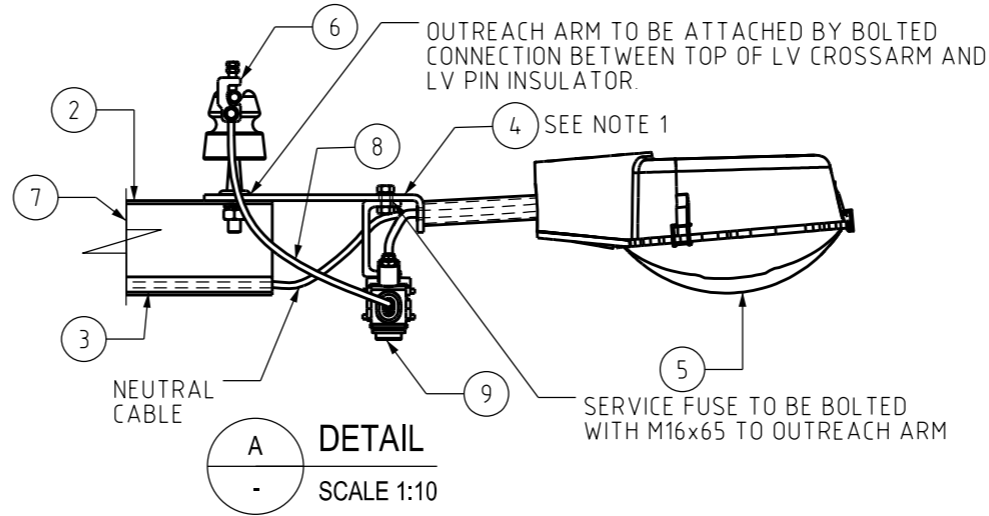
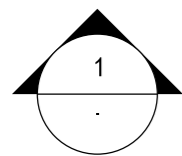


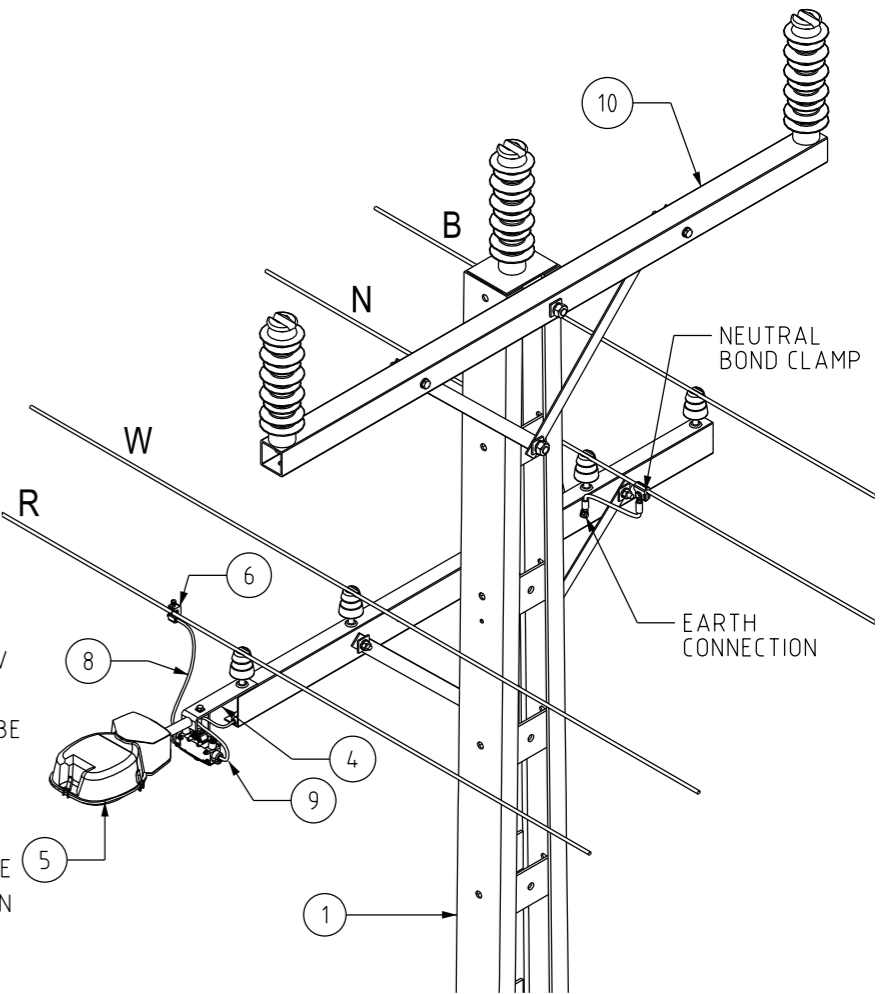
PLAN VIEW

SCALE 1:25



DETAIL

SCALE 1:10

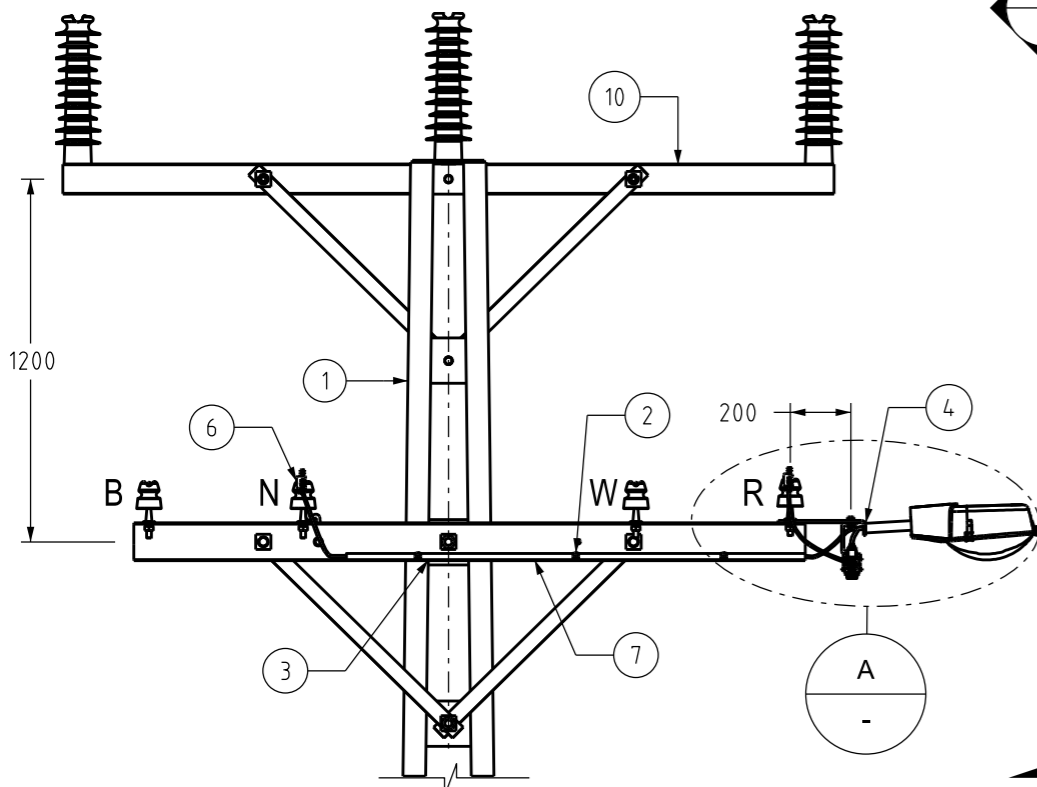


ISOMETRIC VIEW

SCALE 1:25

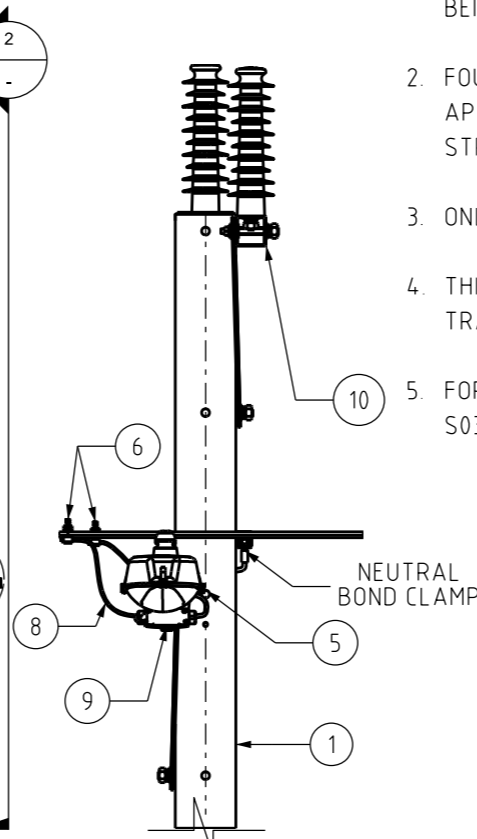
NOTES

1. THIS ARRANGEMENT IS TO BE USED ON 9m HV AND LV POLES WHICH PROVIDES A MOUNTED HEIGHT OF 6.1m. OTHER POLE AND CROSSARM CONFIGURATIONS MAY BE USED SUBJECT TO ACCEPTABLE MOUNTING HEIGHTS BEING OBTAINED.
2. FOUR WIRE LV CONFIGURATION SHOWN. FOR FIVE WIRE APPLICATION INSTALL ADDITIONAL CONDUIT BETWEEN STREET LIGHTING AND NEUTRAL MAINS.
3. ONLY PWC APPROVED LUMINAIRES TO BE INSTALLED.
4. THIS STREETLIGHT ATTACHMENT ASSEMBLY IS NOT TO BE USED ON TRANSFORMER, CABLE TERMINATION, ABS AND GBS STRUCTURES.
5. FOR LUMINAIRES >5kg USE LUMINAIRE OUTREACH ITEM 288803 DWG S03-01-03-02.



FRONT ELEVATION

SCALE 1:25



SIDE ELEVATION

SCALE 1:25

ITEM	DESCRIPTION	ITEM NUMBER	DGN REF
10	HV CROSSARM	-	S01-01-02-10
9	100A FUSE ASSEMBLY	241109	S01-01-04-49
8	TWIN CORE 6mm LV ABC	502896	S01-01-07-03
7	LV LINE CROSSARM 4 WIRE	298562	S01-01-02-11
6	SERVICE CLAMP	502127	S01-01-04-48
5	LUMINAIRE WITH PE CELL	-	-
4	LUMINAIRE OUTREACH	288803	S03-01-03-10
3	20mm GREY PVC CONDUIT	4036	-
2	SADDLE CONDUIT CLIPS 20mm GALV. STEEL	503764	-
1	LINE POLE	-	-

MATERIAL SCHEDULE

- 6 AMEND NOTE 3. ADD NOTE 5. UPDATE MATERIAL SCHEDULE. UDATE IMAGERY.
- 5 INCLUDE NOTE 4
- 4 TITLEBLOCK & DRAWING NUMBERS FORMATTED
- 3 NOTE 3 ADDED, ITEM 6 & 7 DRG REF UPDATE
- 2 UPDATE ITEM 13
- 1 REDRAWN ON CAD

NO	DESCRIPTION	DRN	DATE	CKD	APPD
		C.C.	APR'22	B.V.	B.C.
		H.E.	AUG'20	B.V.	B.V.
		K.T.	FEB'19	C.C.	C.C.
		P.H.	OCT'17	I.B.	B.C.
		K.I.	SEP'05	C.C.	C.C.
		A.D.	MAY'98	R.I.	F.R.



DES	AB	POWER STANDARD DRAWING	
DRN	A.DAVIS	LANTERN AND LAMPS	
CKD	R.INNES	MINOR ROADS	
APPD	F.ROBSON	LANTERN OUTREACH BRACKET	
SCALE	1:10	ASSEMBLY DETAILS	
ISSUED	MAY'98	A3	DRAWING NUMBER
ALL DIM. IN mm			S03-01-04-10
DRAFTING STANDARD TO A.S.1100		CAD PRODUCT - DO NOT AMEND MANUALLY	

