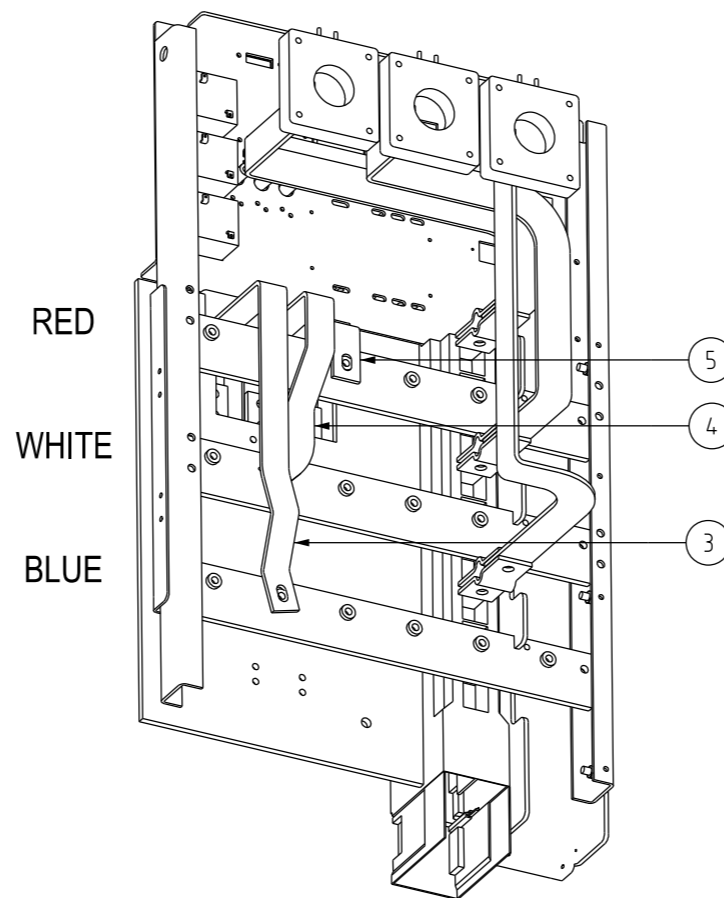
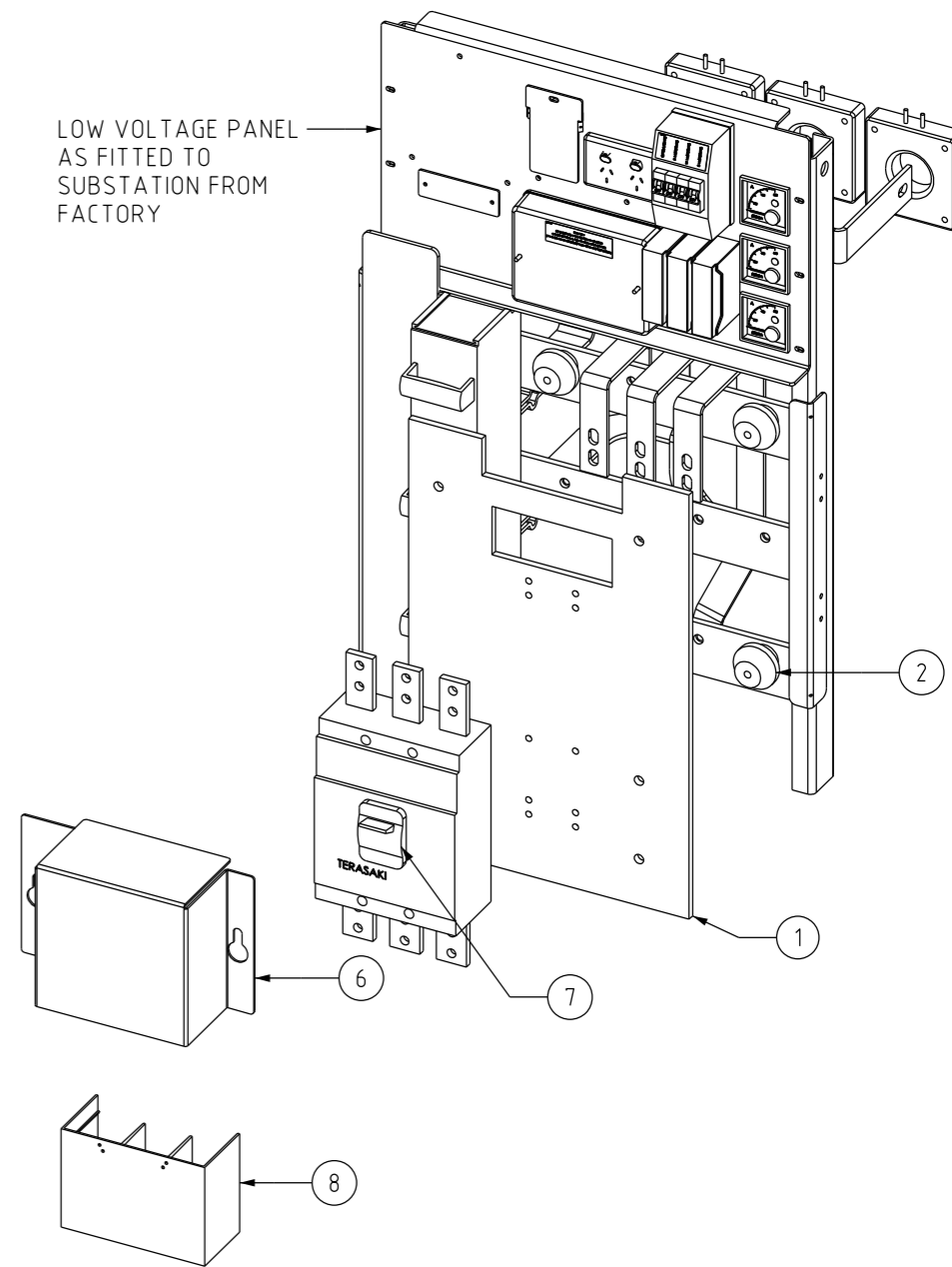


FRONT ASSEMBLED VIEW
SCALE N.T.S.



REAR ASSEMBLED VIEW
SCALE N.T.S.



FRONT EXPLODED VIEW
SCALE N.T.S.

NOTES:

- ALL SUBSTATIONS SHALL HAVE EITHER PERSPEX COVER OR STRIPLE FUSE BASE OVER ANY ACTIVE BUSBARS THAT ARE NOT COVERED BY ITEM 1.
- TO SUIT BUSBARS 185mm SEPERATION, M12X1.50mm THREADED HOLES.
- ALL MCCB'S MUST CONFORM TO PWC STANDARD SPECIFICATION STSP 02-013

ITEM	QTY	DESCRIPTION
8	1	TERASAKI TERM COVER
7	1	TERASAKI MCCB
6	1	BARRIER COVER
5	1	BUSBAR RED
4	1	BUSBAR WHITE
3	1	BUSBAR BLUE
2	4	INSULATOR STANDOFF M10
1	1	SUPPORT LV SWITCH TERASAKI CB
KIT CONTENTS		

MCCB KIT	ITEM NUMBER	MCCB KIT	ITEM NUMBER	MCCB KIT	ITEM NUMBER	MCCB	ITEM NUMBER
2000A	416106	2000A	501825	2000A	503924	2000A	502486
1600A	503903	1600A	503898	1600A	503919	1600A	503902
1250A	503904	1250A	503897	1250A	503923	800A	503885
800A	503905	800A	503896	800A	503922	400A	503899
7000 SERIES		MKII		MKIII		MCCB ONLY	

NO	DESCRIPTION	DRN	DATE	CKD	APPD
6	INCLUDE REPLACEMENT MCCBS. ADDED NOTES 2 & 3. UPDATED TITLE.	A.N.	NOV'20	B.V.	B.C.
5	INCLUDE MKIII MCCB KITS,	C.C.	MAY'20	B.C.	B.V.
4	TITLEBLOCK & DRAWING NUMBER FORMATTED	K.T.	FEB'19	C.C.	C.C.
3	ITEM NUMBER AMENDED	P.H.	APR'18	I.B.	B.C.
2	MK2 ADDED	K.T.	ARP'16	I.B.	B.C.
1	2000A STOCK CODE, NOTE 1 ADDED	A.T.	MAY'13	B.C.	B.C.
0	ISSUED FOR CONSTRUCTION	C.C.	OCT,11	A.T.	S.C.



DES		POWER STANDARD DRAWING	
DES	A.TAYLOR	MCCB MOUNTING	
DRN	C.COPPINS	LOW VOLTAGE COMPARTMENT	
CKD	A.TAYLOR	PACKAGE SUBSTATIONS	
APPD	S.C.	GENERAL ARRANGEMENT	
SCALE	N.T.S.	A3	DRAWING NUMBER
ISSUED	OCTOBER 2011		
ALL DIM.	IN mm	CAD PRODUCT - DO NOT AMEND MANUALLY	
DRAFTING STANDARD TO A.S.1100		AMDT	