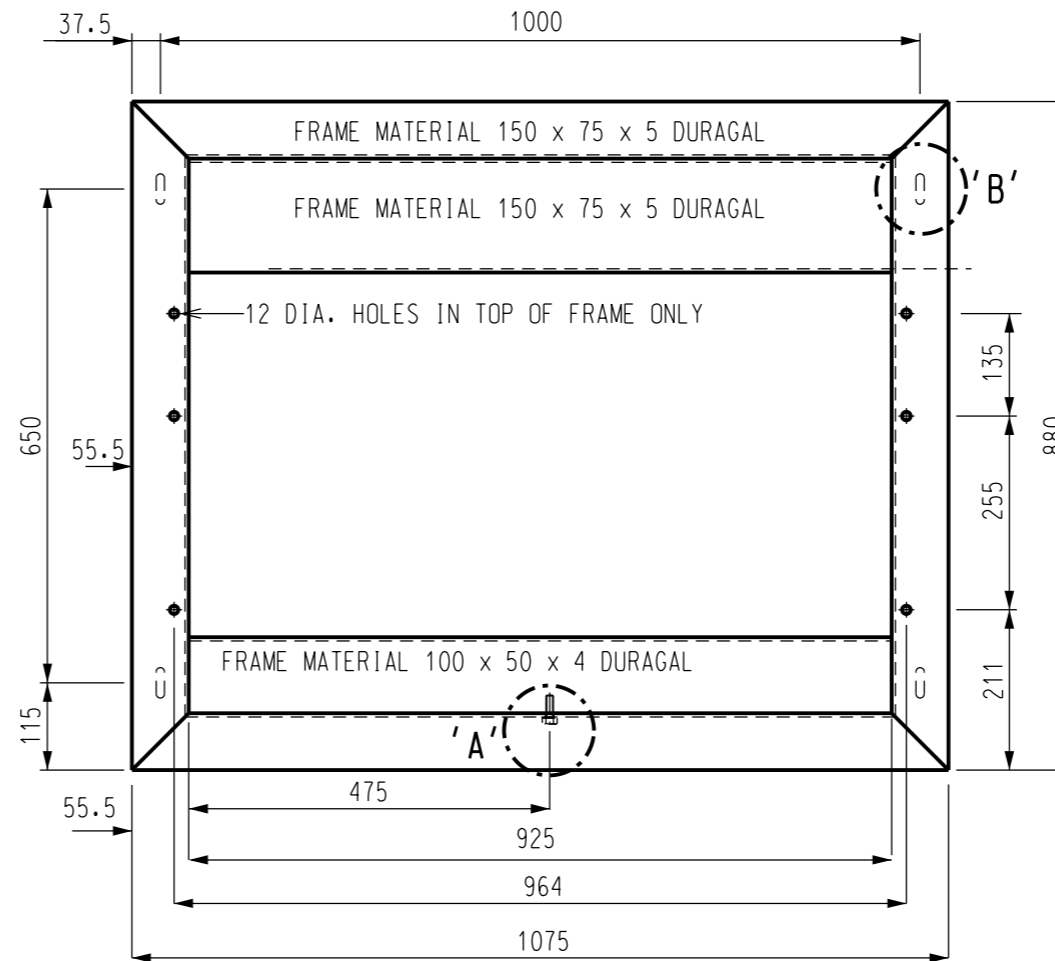


**DRIESCHER RMU 3 WAY (KKT)
MOUNTING FRAME**

ITEM NUMBER:502387

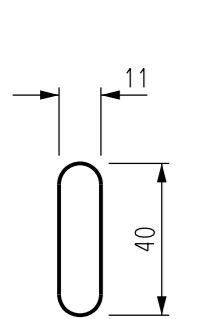


**DRIESCHER RMU 4 WAY (KKTK)
MOUNTING FRAME**

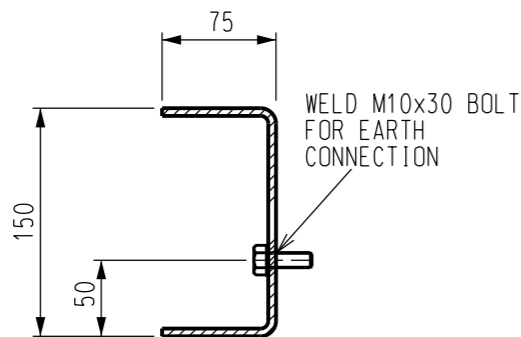
ITEM NUMBER:502388

NOTES:

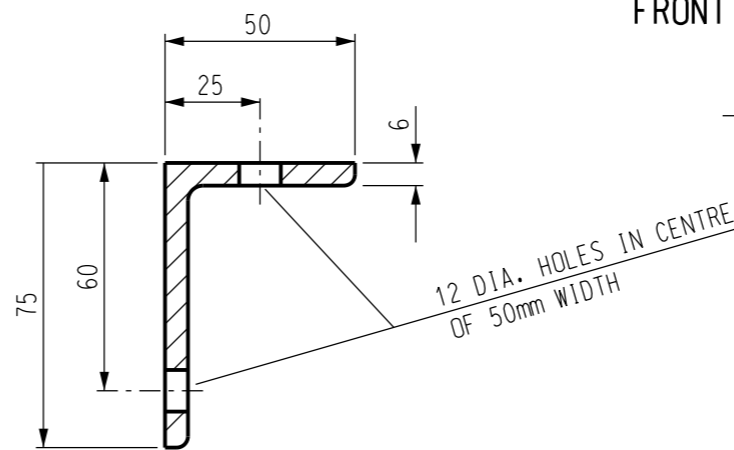
- UNLESS OTHERWISE SPECIFIED, ALL MATERIAL TO BE 150 x 75 x 5 DURAGAL.



DETAIL 'B'
SLOTS IN BOTTOM
FLANGE ONLY
(SCALE 1 : 5)

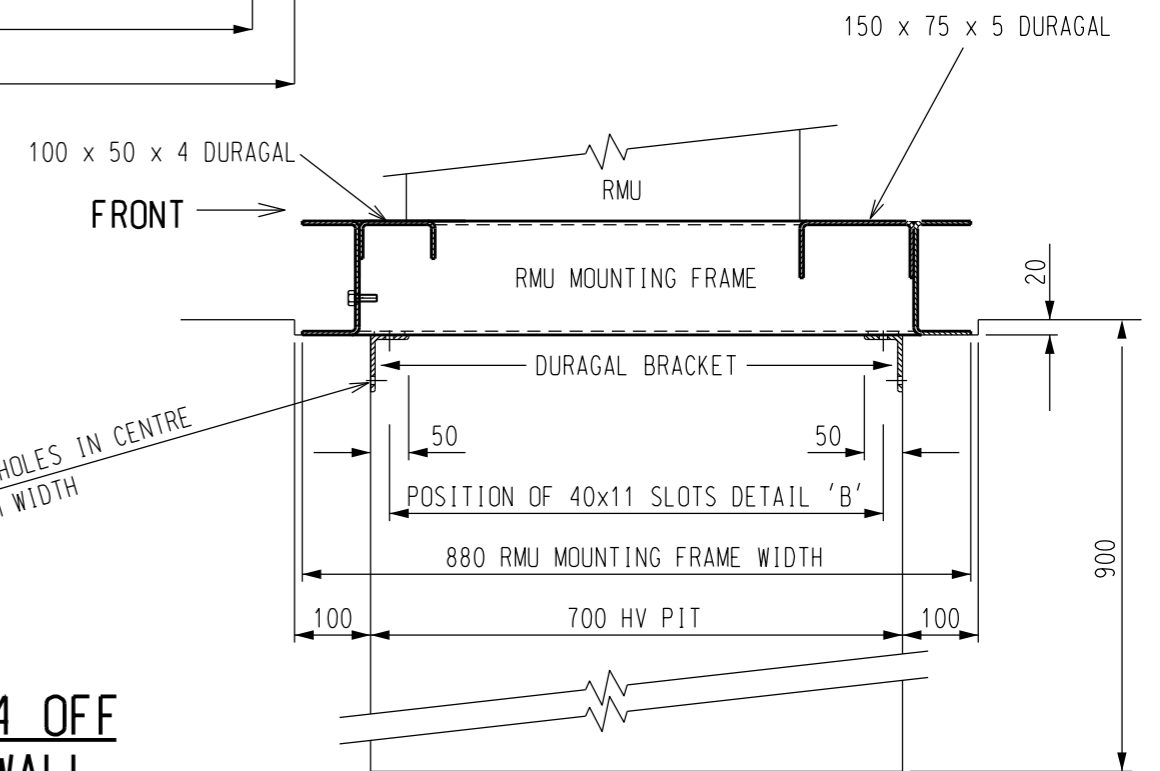


DETAIL 'A'
EARTH STUD
LOCATION
(SCALE 1 : 5)



**DURAGAL BRACKET (50mm WIDE) 4 OFF
FOR FIXING FRAME TO HV PIT WALL**

SCALE 1 : 2



SECTION THROUGH HV PIT

NO	DESCRIPTION	DRN	DATE	CKD	APPD
2	ADDED AND CLARIFIED DIMENSIONS AND FRAME MATERIALS. ADDED NOTE 1.	A.N.	NOV'20	B.V.	B.C.
1	TITLEBLOCK & DRAWING NUMBER FORMATTED	K.T.	FEB'19	C.C.	C.C.
0	ISSUED FOR CONSTRUCTION	A.T.	JUN'14	B.C.	B.C.
AMENDMENTS					



DES	R. THORNE
DRN	A. TAYLOR
CKD	B. CHEUNG
APPD	B. CHEUNG
SCALE	1:10
ISSUED	DEC'13
ALL DIM. IN mm	
DRAFTING STANDARD TO A.S.1100	

POWER STANDARD DRAWING	
DRIESCHER RING MAIN UNIT 3 AND 4 FUNCTION MOUNTING FRAME	
A3	DRAWING NUMBER S02-01-04-25
CAD PRODUCT - DO NOT AMEND MANUALLY	

