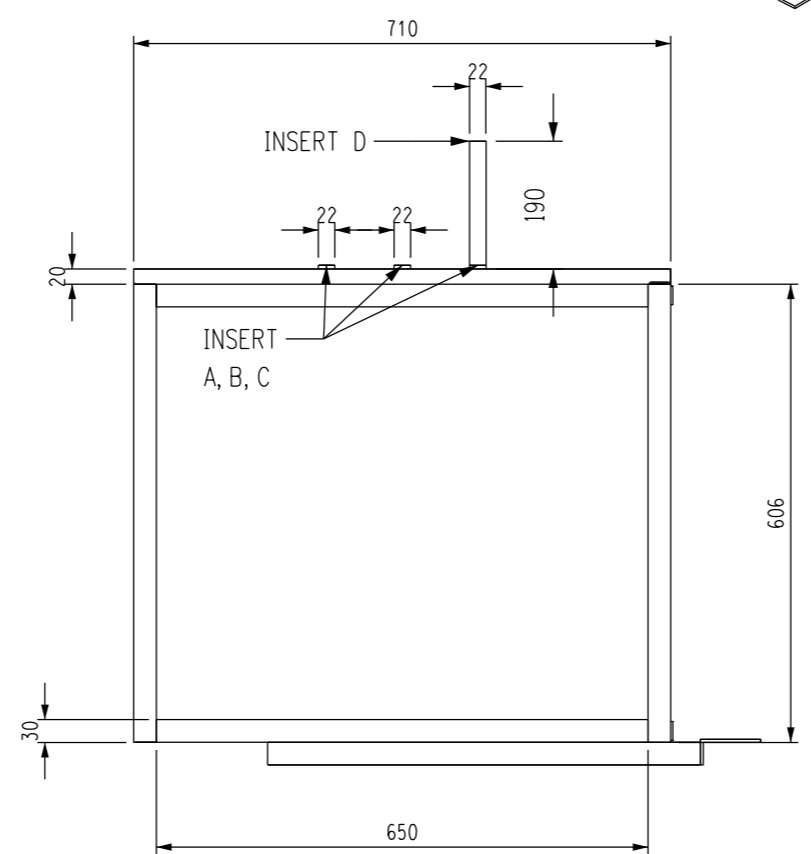
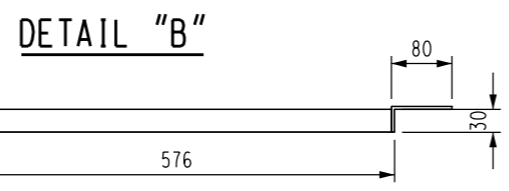
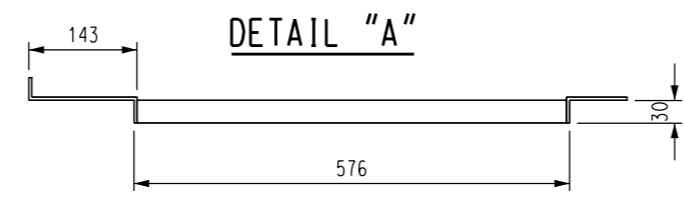
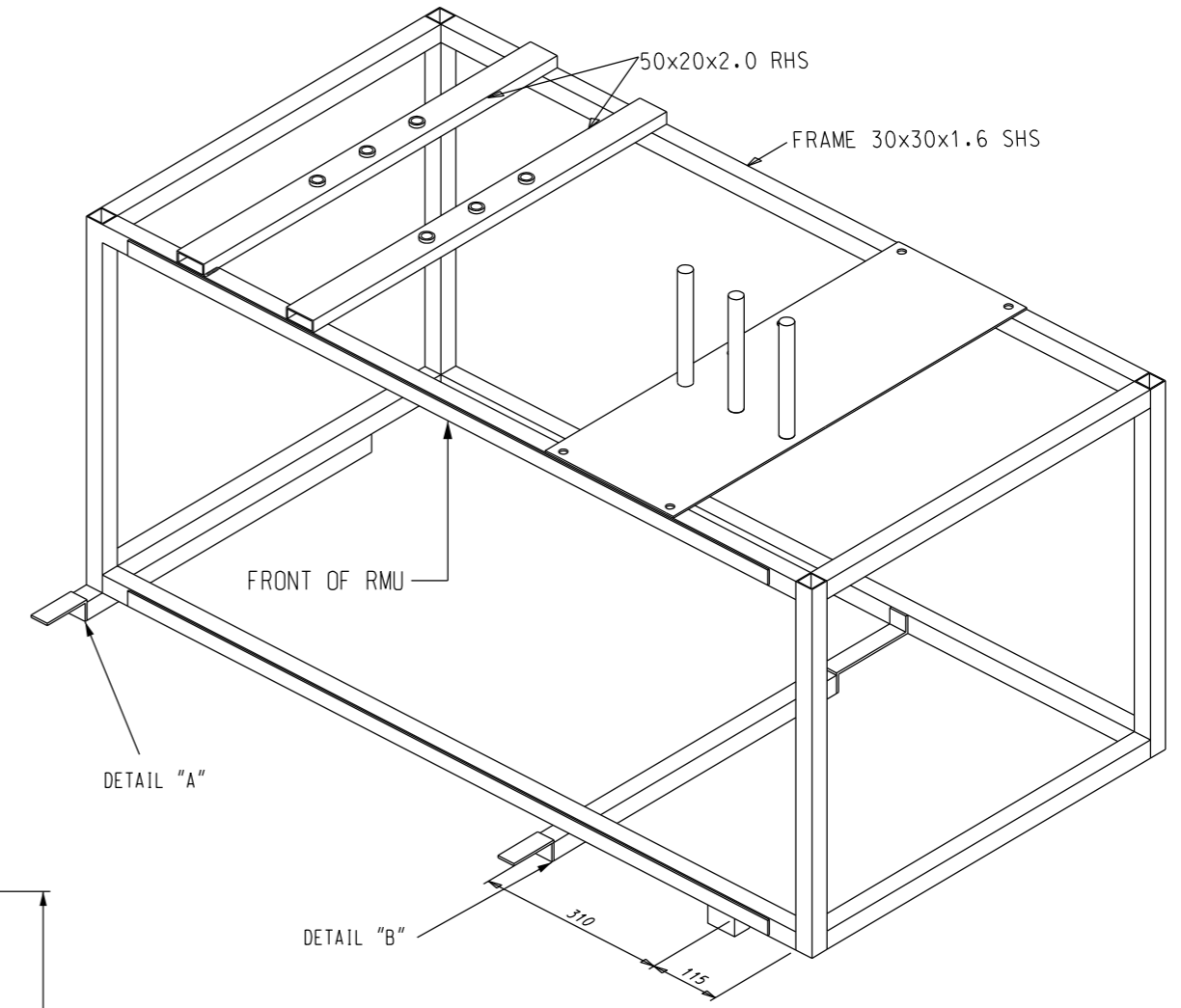


VIEW TOP



VIEW SIDE



VIEW ISOMETRIC

NOTES

1. INSERTS SHALL BE THREADED TO MATCH DIN TYPE "C" BUSHINGS
2. PLATE "C" SHALL BE REVERSIBLE SUCH THAT WHEN THE SPOUTS (ITEM 2) POINT UP INSERTS C ARE USED FOR TERMINATING SWITCH UNITS AND WHEN THE SPOUTS POINT DOWN INSERTS D ARE USED FOR TERMINATING FUSED UNITS.

1	TITLEBLOCK & DRAWING NUMBER FORMATTED	K.T.	JAN'19	C.C.	C.C.
0	ISSUED FOR CONSTRUCTION	C.C.	MAY'12	A.T.	B.C.
NO	DESCRIPTION	DRN	DATE	CKD	APPD
AMENDMENTS					



DES	R.MILLS	POWER STANDARD DRAWING			
DRN	C.COPPINS	<b>DREISCHER MINEX-C CABLE TERMINATION FRAME</b>			
CKD	A.TAYLOR				
APPD	B.CHEUNG				
SCALE	N.T.S.				
ISSUED	JAN'12				
ALL DIM. IN mm		A3	DRAWING NUMBER	S02-01-02-20	
DRAFTING STANDARD TO A.S.1100		CAD PRODUCT - DO NOT AMEND MANUALLY		AMDT	