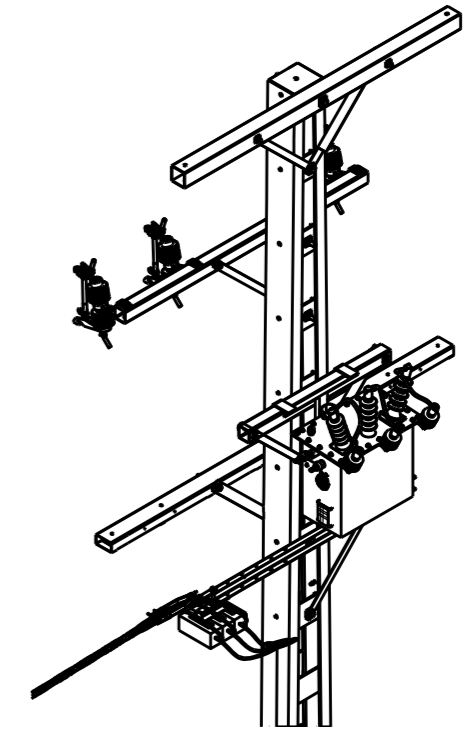


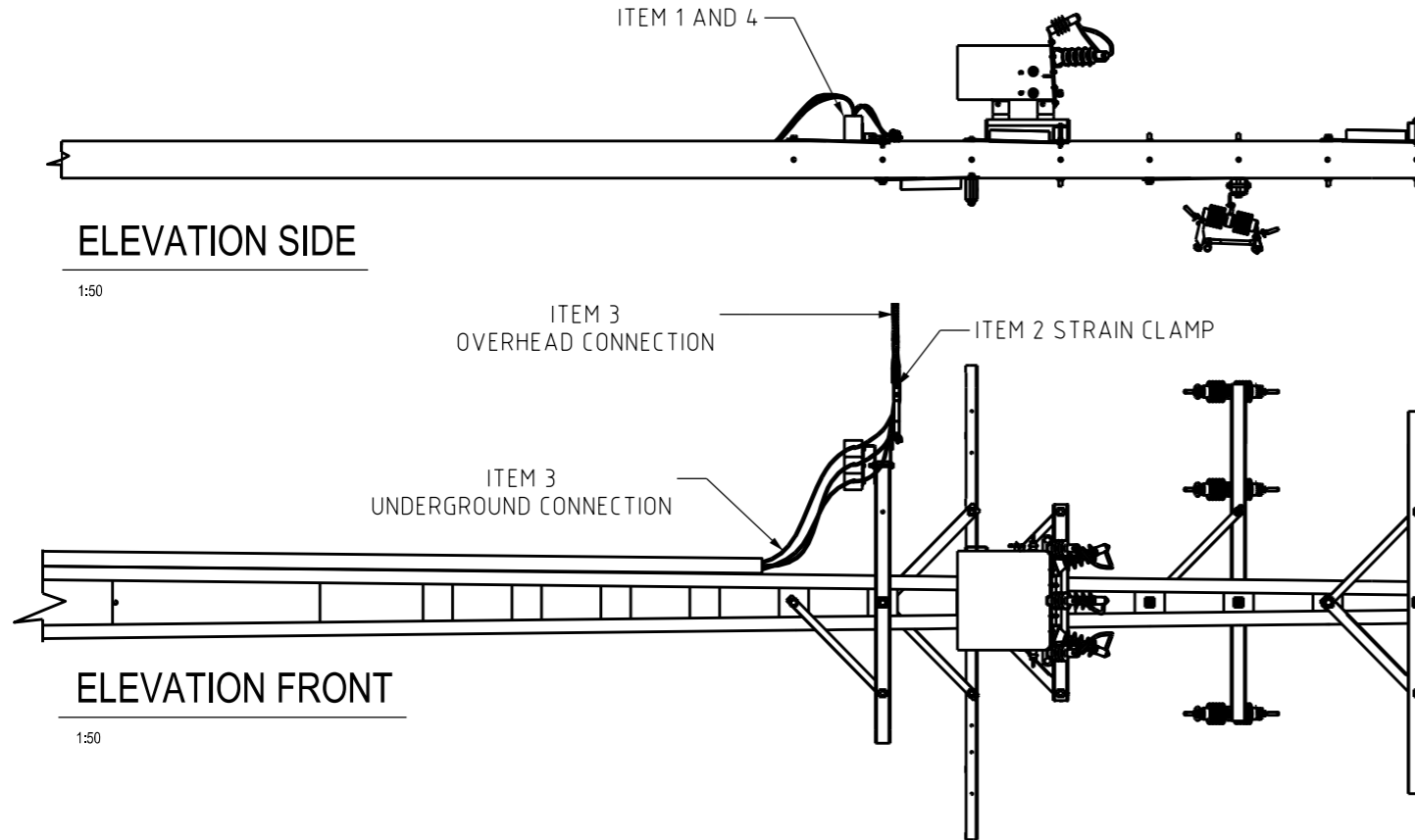
**NOTES:**

1. CONSUMERS REQUIRING AN UNDERGROUND SUPPLY SHALL BE CONNECTED VIA LV 240SQMM ALUMINIUM CABLES (REFER S02-01-01-19). CABLES SHALL BE SUPPLIED AND INSTALLED TO THE DESIGNATED POLE BY THE CONSUMERS ELECTRICAL CONTRACTOR.
2. WHERE POSSIBLE, CONSUMERS REQUIRING 100KVA OR MORE, SHALL BYPASS ANY LV NETWORK AND CONNECT DIRECTLY TO THE TRANSFORMER BUSHINGS.
3. CONSUMERS REQUIRING GREATER THAN 450KVA SHALL BE SUPPLIED THROUGH A PACKAGE SUBSTATION. (REFER DWG S02-01-07-18).
4. WHERE AN UNDERGROUND CONNECTION IS USED, A MAXIMUM OF 4 X 240SQMM LV CABLES SHALL BE INSTALLED IN EACH 100MM DIAMETER CONDUIT. MAXIMUM OF 2 CONDUITS PER POLE.
5. CONSUMERS REQUIRING MULTIPLE CIRCUITS SHALL BE CONNECTED VIA ONE FUSE/SWITCH ISOLATOR FOR EACH ACTIVE PHASE.
6. SINGLE PHASE FUSE/SWITCH ISOLATORS SHALL BE GROUPED TOGETHER ON THE SERVICE CROSSARM.
7. NO STAY SHALL BE USED ON TRANSFORMER POLE.



**ISOMETRIC VIEW**

N.T.S.



**ELEVATION SIDE**

1:50

**ELEVATION FRONT**

1:50

OVERHEAD CONNECTIONS										
MAXIMUM CONSUMER DEMAND(KVA)	ITEM 1		ITEM 4		ITEM 3		CABLE FROM TRANSFORMER OR LV	ITEM NUMBER	ITEM 2	
	LV SWITCH	ITEM NUMBER	LV FUSE	ITEM NUMBER	CABLE TO CONSUMER	ITEM NUMBER			STRAIN CLAMP	ITEM NUMBER
25	250A BUNDL BOX	255943	100A	10066	4 CORE SERVICE	286096	35sqmm FLEX	402707	SERVICE STRAIN CLAMP	408998
50	250A BUNDL BOX	255943	100A	10066	4 CORE SERVICE	286096	35sqmm FLEX	402707	SERVICE STRAIN CLAMP	408998
63	250A BUNDL BOX	255943	100A	10066	95sqmm LV ABC	197665	35sqmm FLEX	402707	ABC STRAIN CLAMP	415585
100	250A BUNDL BOX	255943	250A	11072	150sqmm LV ABC	197665	35sqmm FLEX	402707	ABC STRAIN CLAMP	415585
200	400A FUSE SWITCH	2220	315A	1420	150sqmm LV ABC	415591	70sqmm FLEX	406718	ABC STRAIN CLAMP	415585
315	630A FUSE SWITCH	504121	450A	1362	2X95sqmm LV ABC	197665	150sqmm FLEX	300368	ABC STRAIN CLAMP	415585

UNDERGROUND CONNECTIONS										
MAXIMUM CONSUMER DEMAND(KVA)	ITEM 1		ITEM 4		ITEM 3		CABLE FROM TRANSFORMER OR LV	ITEM NUMBER	ITEM 2	
	LV SWITCH	ITEM NUMBER	LV FUSE	ITEM NUMBER	CABLE TO CONSUMER	ITEM NUMBER			STRAIN CLAMP	ITEM NUMBER
200	400A FUSE SWITCH	2220	315A	1420	240sqmm U/G	401015	70sqmm FLEX	406718	N/A	N/A
315	630A FUSE SWITCH	504121	450A	1362	2X 240sqmm U/G	401015	150sqmm FLEX	300368	N/A	N/A
450	800A FUSE SWITCH	2238	630A	1412	2X 240sqmm U/G	401015	300sqmm FLEX	400784	N/A	N/A

NO	DESCRIPTION	DRN	DATE	CKD	APPD
4	AMENDED NOTE 3. AMENDED 315kVA LV SWITCH. ADD 315kVA SOLUTION FOR UNDERGROUND CONNECTIONS.	C.C.	APR-22	B.V.	B.C.
3	TITLEBLOCK & DRAWING NUMBER FORMATTED	K.T.	JAN'19	C.C.	C.C.
2	NOTE 7 ADDED	C.C.	OCT'18	B.V.	B.C.
1	ISSUED FOR CONSTRUCTION	C.C.	AUG'17	B.C.	B.C.
0	ISSUED FOR CONSTRUCTION	C.C.	MAR'12	B.C.	S.C.

DES		POWER STANDARD DRAWING		
DES	A.TAYLOR	SUBSTATIONS LARGE 3 PHASE CONSUMER CONNECTION OVERHEAD NETWORKS		
DRN	C.COPPINS			
CKD	B.CHEUNG			
APPD	B.CHEUNG			
SCALE	N.T.S.	A3	DRAWING NUMBER	S01-02-06-18
ISSUED	DEC '2011			
ALL DIM. IN mm				
DRAFTING STANDARD TO A.S.1100		CAD PRODUCT - DO NOT AMEND MANUALLY		AMDT