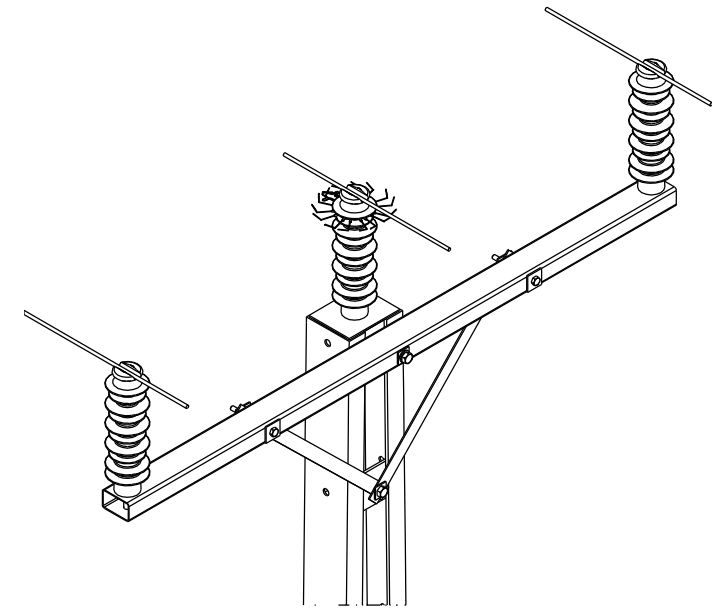
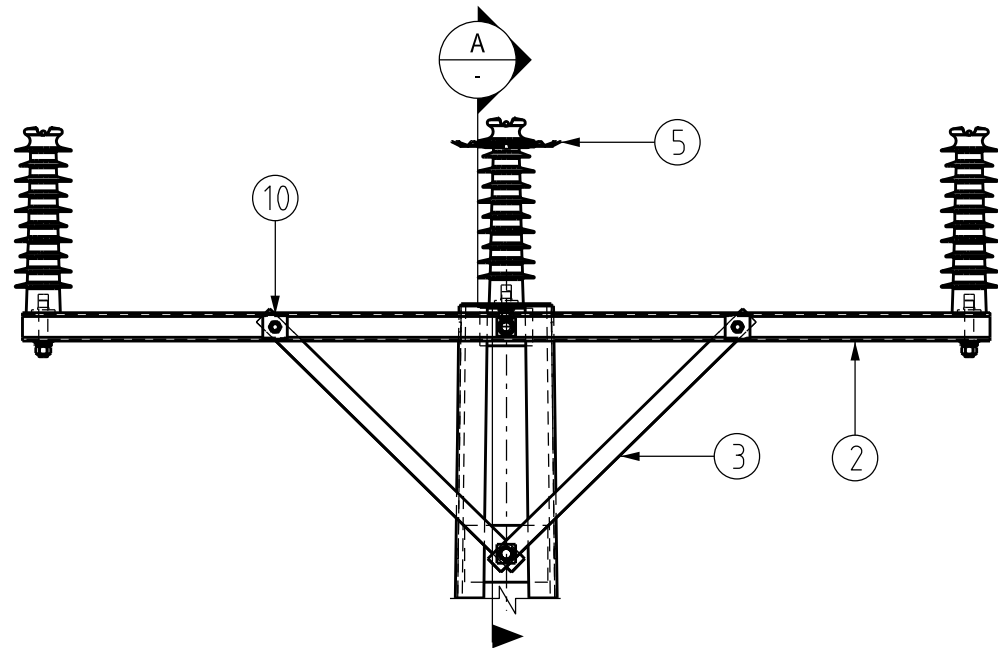


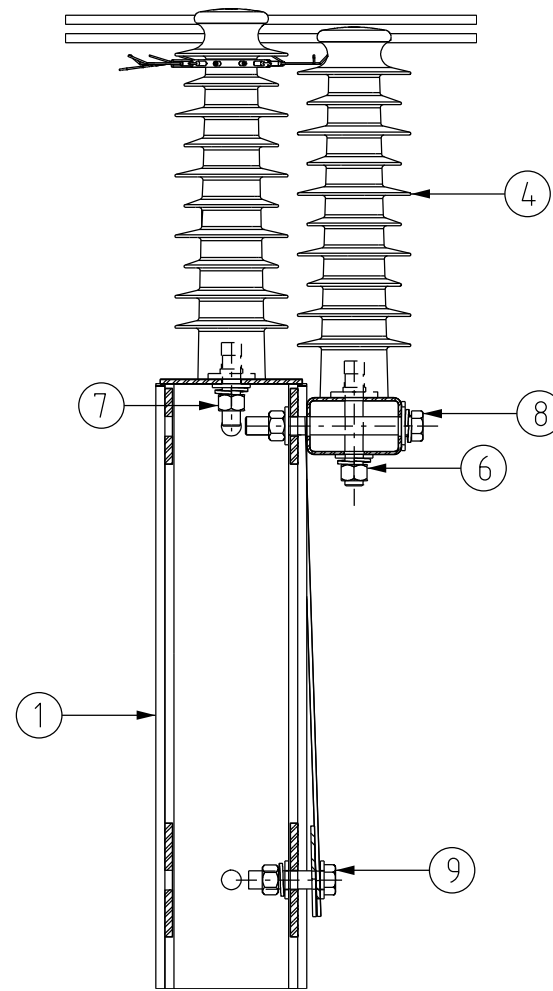
PLAN VIEW
SCALE 1:20



ISOMETRIC VIEW
N.T.S.



FRONT ELEVATION
SCALE 1:20



A SECTION VIEW
1:10

ITEM REF.	QTY.	DESCRIPTION	ITEM NUMBER	DRAWING REF.
10	2	M16x180 GALV. STEEL BOLT C/W NUT	400805	S01-01-04-43
	4	M16 GALV. STEEL 65x65x5 FLAT WASHER	298695	S01-01-04-43
	2	M16 GALV. STEEL SPRING WASHER	114322	S01-01-04-43
9	1	M24x65 GALV. STEEL BOLT C/W NUT	400800	S01-01-04-43
	2	M24 GALV. STEEL 75x75x5 FLAT WASHER	298828	S01-01-04-43
	1	M24 GALV. STEEL SPRING WASHER	114330	S01-01-04-43
8	1	M24x220 GALV. STEEL BOLT C/W NUT	400803	S01-01-04-43
	2	M24 GALV. STEEL 75x75x5 FLAT WASHER	298828	S01-01-04-43
	1	M24 GALV. STEEL SPRING WASHER	114330	S01-01-04-43
7	1	INSULATOR MOUNTING STUD, 40/30 M24	298745	S01-01-04-44
6	2	INSULATOR MOUNTING STUD, 140/30 M24	300483	S01-01-04-44
5	1	ANIMAL GUARD, ELECTROSTATIC	-	S01-01-04-52
4	3	22kV VERTICLE LINE POST INSULATOR	300467	S01-01-03-10
3	2	CROSSARM BRACE, 70X5 DURAGAL CF	298687	S01-01-04-38
2	1	CROSSARM, FIBREGLASS, HV LINE	298802	S01-01-02-10
1	1	UNIVERSAL POLE	-	-

MATERIAL SCHEDULE

NO	DESCRIPTION	DRN	DATE	CKD	APPD
4	IMAGERY REDRAWN. ISOMETRIC VIEW & TABLE ADDED	C.C.	NOV'21	A.N.	B.V.
3	TITLEBLOCK & DRAWING NUMBERS FORMATTED	K.T.	APR'19	C.C.	C.C.
2	BAT GUARDS ADDED	A.T.	JUL'13	B.C.	B.C.
1	INSULATOR STOCK CODE AND DRAWING UPDATED	C.C.	FEB'11	M.B.	F.R.R.
0	ISSUED FOR CONSTRUCTION	A.S.	MAR'01	M.B.	F.R.R.

AMENDMENTS



DES	M. BOCK	POWER STANDARD DRAWING	
DRN	R. INNES	ASSEMBLIES INSULATORS ON HV 'A TOP' FOR UNIVERSAL POLE CONSTRUCTION	
CKD	M. BOCK		
APPD	F. ROBSON		
SCALE	AS SHOWN	A3	DRAWING NUMBER S01-02-01-17
ISSUED	JULY'00		
ALL DIM.	IN mm	CAD PRODUCT - DO NOT AMEND MANUALLY	
DRAFTING STANDARD TO A.S.1100		AMDT	