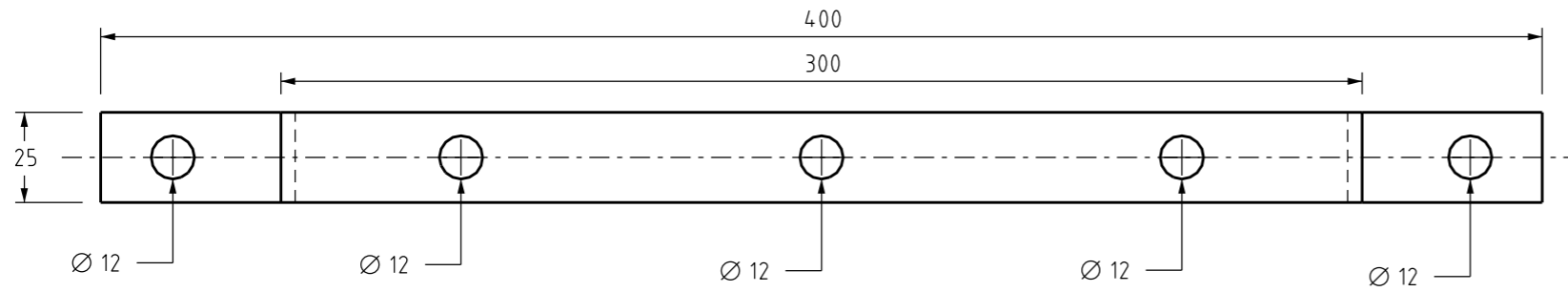
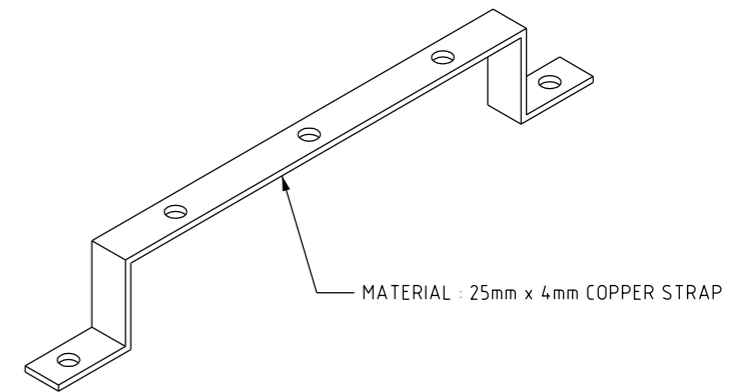


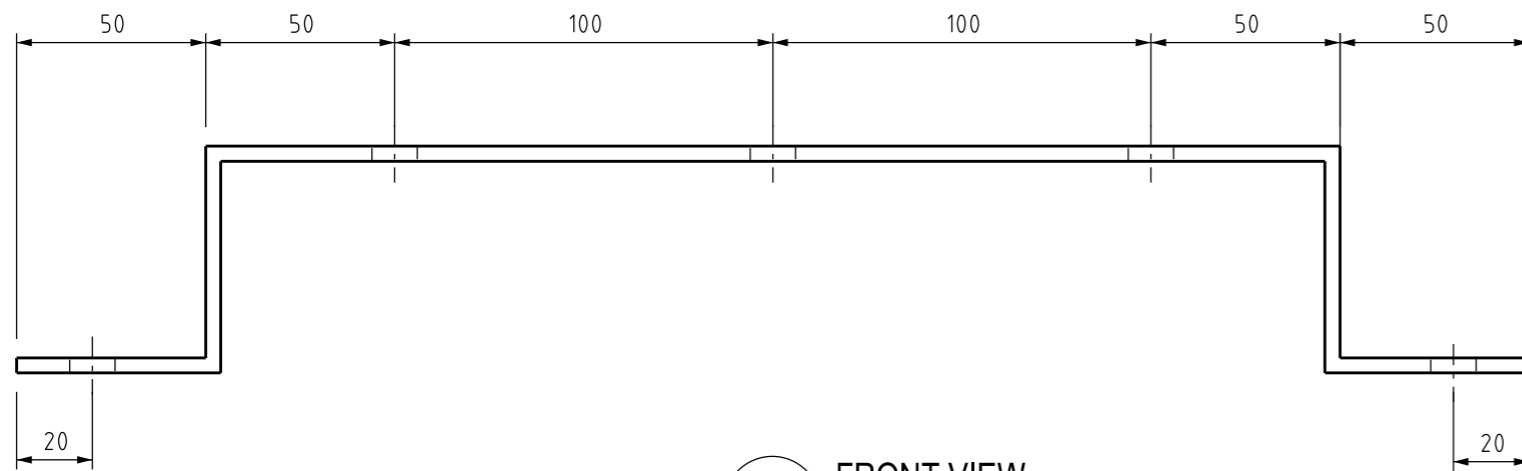
3RD ANGLE -DO NOT SCALE - REPORT ANY ERRORS, OMISSIONS TO DRAFTING OFFICE



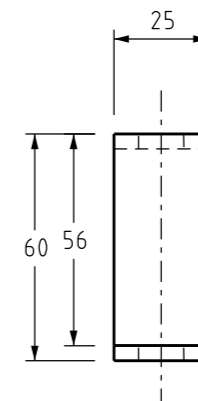
TOP VIEW
SCALE 1:2



ISOMETRIC VIEW
SCALE N.T.S.



FRONT VIEW
SCALE 1:2



SIDE VIEW
SCALE 1:2

ITEM 1 - BRACKET - LV SURGE DIVERTER

(ITEM NUMBER 214-932)

NO	DESCRIPTION	DRN	D-TE	CKD	-PPD
3	SIDE AND ISOMETRIC VIEW ADDED	C.C.	SEPT '19	B.V.	B.V.
2	TITLE BLOCK & DRAWING NUMBER FORMATTED	C.C.	SEP'19	B.V.	B.V.
1	REDRAWN ON CAD	A.D.	05/98	R.I.	F.R.
AMENDMENTS					



DES	N.S.	POWER ST -ND -RD DR - WING	
DRN	A.DAVIS	LINE H -RDW -RE	
CKD	R.INNES	BR -CKET - COPPER	
-PPD	F.ROBSON	LV SURGE DIVERTER	
SC -LE	AS SHOWN		
ISSUED	MAY 1998	A3	DR -WING NUMBER S01-01-04-27
-LL DIM. IN mm			
DR -FTING ST -ND -RD TO - S.1100		C -D PRODUCT - DO NOT -MEND M -NU -LLY	

