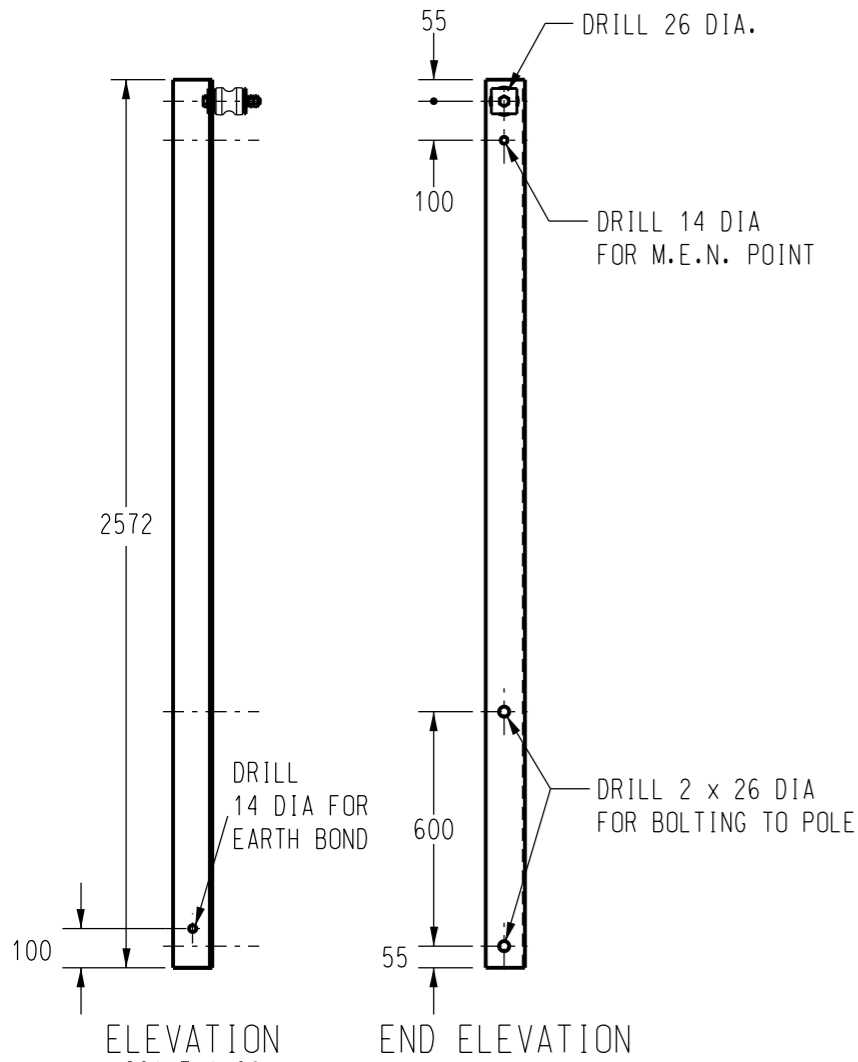
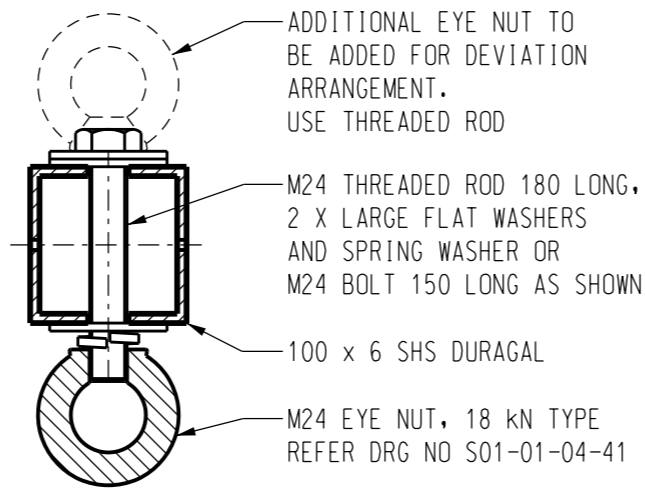


PLAN  
SCALE 1:5

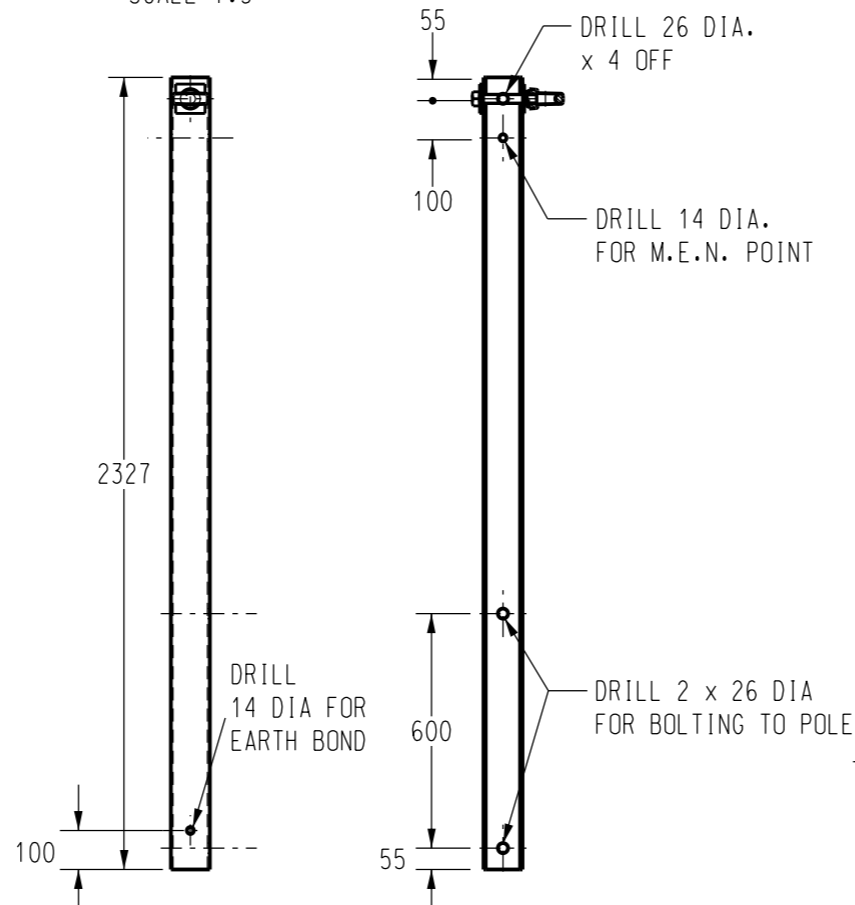


ELEVATION  
SCALE 1:20

END ELEVATION



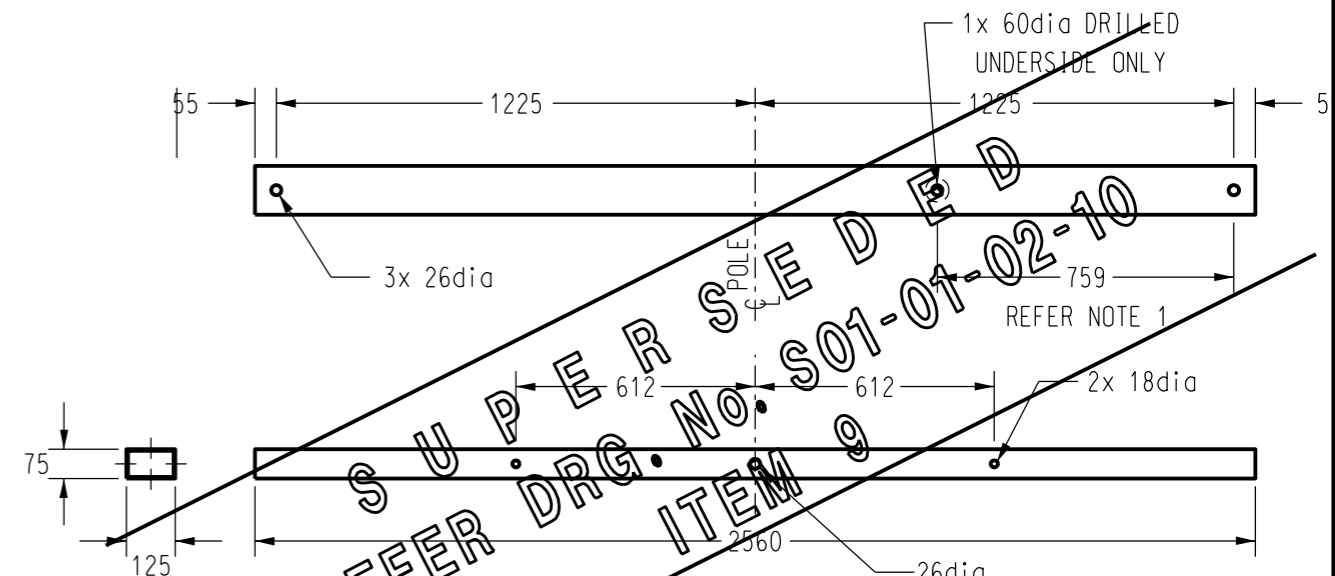
PLAN (SECTION)  
SCALE 1:5



ELEVATION END ELEVATION (SECTION)  
SCALE 1:20

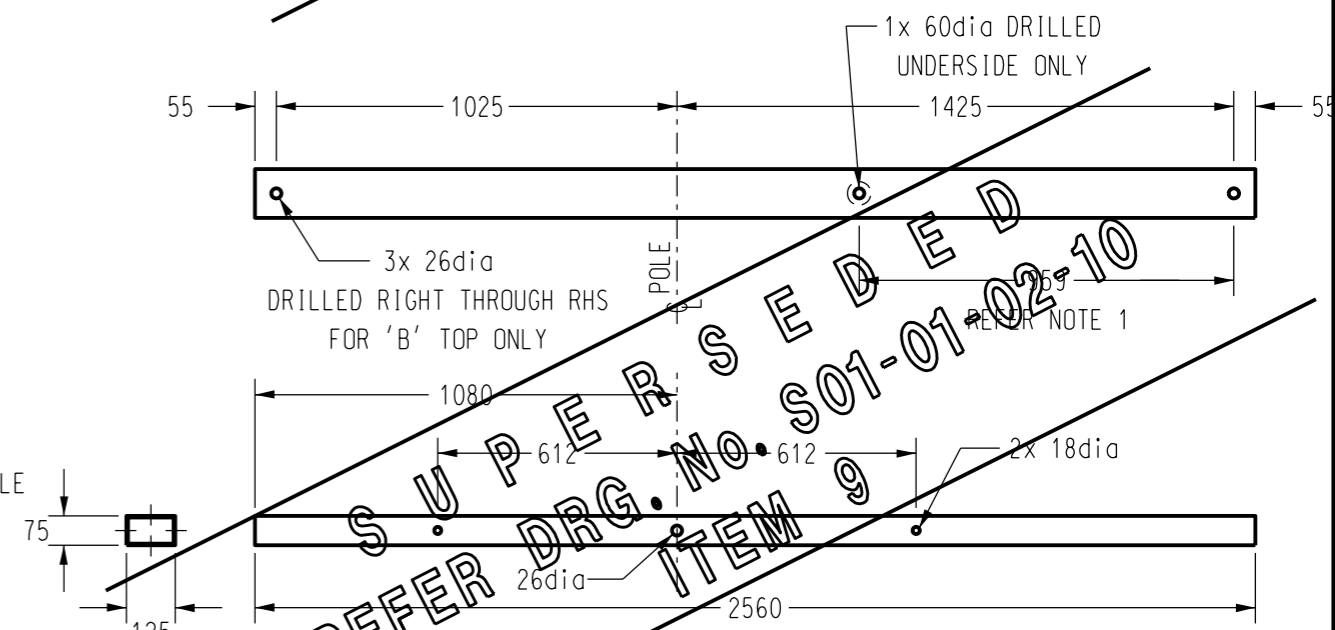
**OVERHEAD EARTH RISER FOR TERMINATION & DEVIATION POLES**  
ITEM NUMBER: 298646  
100 X 100 X 6 DURAGAL SHS  
Strength = 6.80kN

**OVERHEAD EARTH RISER FOR LINE POLE**  
ITEM NUMBER : 298638  
100 X 100 X 6 DURAGAL EA  
Strength = 1.77kN



**TERMINATION CROSSARM, HV FOR USE WITH OVERHEAD EARTH RISERS - S/C: 298612**  
SCALE 1:20

125 x 75 x 5 RHS Duragal - TERMINATION AND DEVIATION ANGLE Strength =6.35kN



**LINE CROSSARM, HV FOR USE WITH OVERHEAD EARTH RISERS - S/C: 298620**  
SCALE 1:20

125 x 75 x 4 RHS Duragal (125 x 75 x 5 FOR 'B' TOP)

**NOTES:**

1. CROSSARMS TO BE TURNED ABOUT FOR ALTERNATE MOUNTING CENTRE INSULATOR, EACH POLE.

| NO | DESCRIPTION   | DRN  | DATE     | CKD  | APPD   |
|----|---|------|----------|------|--------|
| 5  | TITLEBLOCK & DRAWING NUMBER FORMATTED                                     | K.T. | DEC'18   | C.C. | C.C.   |
| 4  | ADD HOLES FOR EARTH BOND  | C.M. | DEC'09   | A.T. | S.C.   |
| 3  | CROSSARMS SUPERSEDED, REFER DWG S01-01-02-10                              | K.I. | 13.09.06 | R.S. | S.C.   |
| 2  | NOTE "DRILL 26 DIA. HOLE" ADDED TO EARTH RISER                            | A.S. | 10.8.04  | R.C. | M.B.   |
| 1  | TERMINATION ARM CHANGED FROM 125x75x6 DURAGAL RHS TO 125x75x5 DURAGAL RHS | A.S. | 21.2.02  | R.C. | M.B.   |
| 0  | ISSUED FOR CONSTRUCTION   | A.S. | 7.3.01   | M.B. | F.R.R. |



|                |           |  |                                |
|----------------|-----------|--|--------------------------------|
| DES            | M. BOCK   | POWER STANDARD DRAWING   |                                |
| DRN            | R. INNES  | <b>CROSSARM AND AERIAL RISERS FOR OVERHEAD EARTH FOR UNIVERSAL POLE CONSTRUCTION</b> |                                |
| CKD            | M. BOCK   |  |                                |
| APPD           | F. ROBSON | A3   | DRAWING NUMBER<br>S01-01-02-13 |
| SCALE          | 1:20      |  |                                |
| ISSUED         | JULY'00   | DRAFTING STANDARD TO A.S.1100  |                                |
| ALL DIM. IN mm |           | CAD PRODUCT - DO NOT AMEND MANUALLY  |                                |

