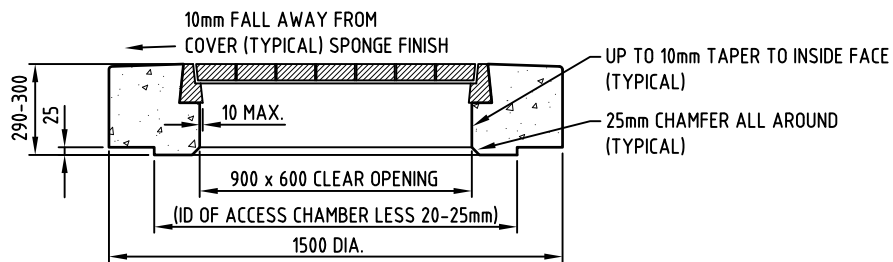


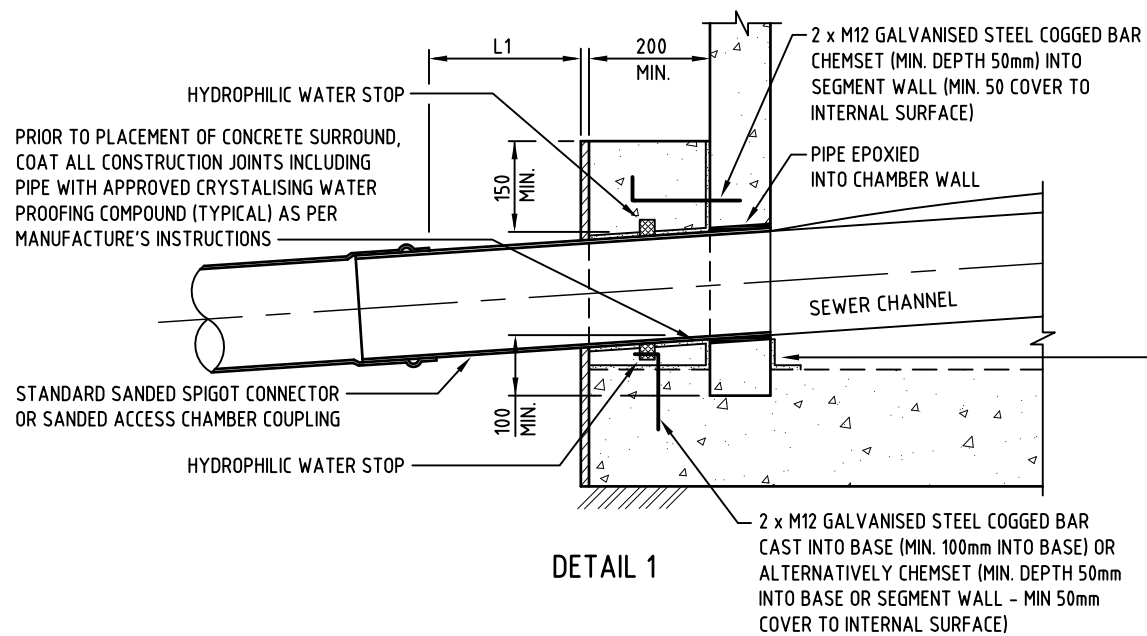
PLAN
1200 DIA ACCESS CHAMBER - RECTANGULAR COVER

1200 DIA. (NOMINAL), MINIMUM INTERNAL DIAMETER 1100mm
 REFER TO NOTE 13 ON STD DRG W2-2-01D



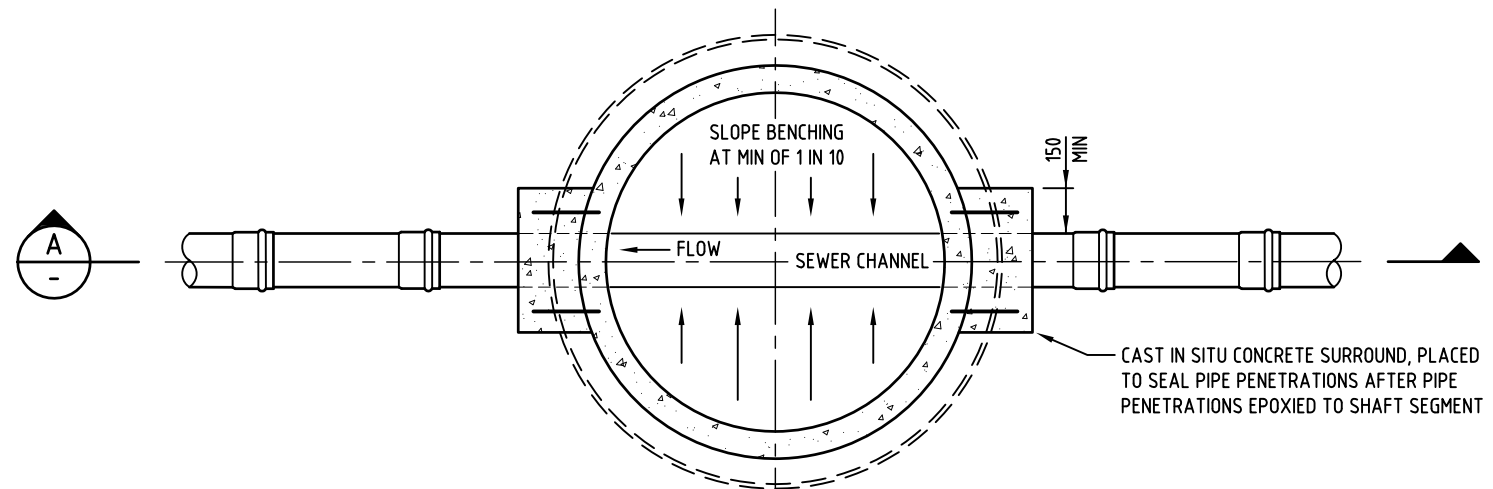
SECTION C
CLASS D COVER

CLASS B COVER SIMILAR
 DEPTH OF CONCRETE PRECAST TOP 250-300

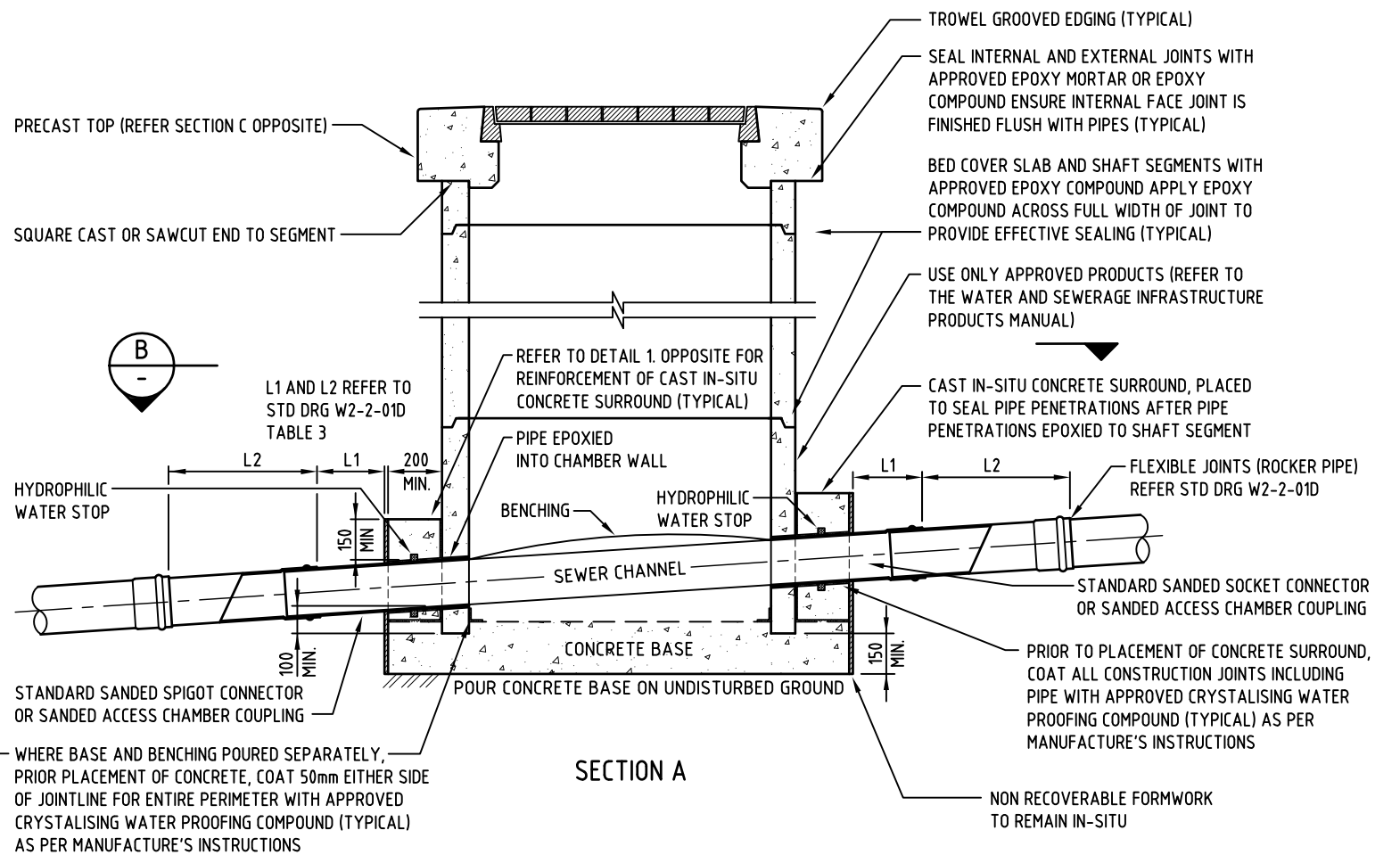


DETAIL 1

2 x M12 GALVANISED STEEL COGGED BAR
 CAST INTO BASE (MIN. 100mm INTO BASE) OR
 ALTERNATIVELY CHEMSET (MIN. DEPTH 50mm
 INTO BASE OR SEGMENT WALL - MIN 50mm
 COVER TO INTERNAL SURFACE)



SECTION B
CHAMBER DETAILS



SECTION A

NOTES:

1. REFER TO NOTES 1 - 15 ON STD DRG W2-2-01D.

6	GENERAL AMENDMENTS 2018.	P.W.	SEPT' 18	I.L.	D.C.
5	DRAWING REVISED.	AW	JUN' 11	R.J.	J.P.
4	DRAWING REVISED.	RGI	AUG' 08	R.J.	J.P.
3	GENERAL AMENDMENTS.	RGI	MAR' 99	CSP	NWM
2	REDESIGNED AND REDRAWN FROM OLD DRG.	RGI	DEC' 96	CSP	CHY
NO	DESCRIPTION	DRN	DATE	CKD	APPD
	AMENDMENTS				



DES	CPASCOE	SEWERAGE STANDARD DRAWING		
DRN	R.INNES	SEWER MAINS - ACCESS CHAMBERS		
CHK	CPASCOE	PRECAST CHAMBERS		
APPD	H.YAU	(UP TO 6.0m DEEP WITH MAINS <DN450)		
SCALE	N.T.S.	A3	DRAWING NUMBER	W2-2-02
ISSUED	07/10/96			6
ALL DIM. IN mm				AMDT
DRAFTING STANDARD TO A.S.1100		CAD PRODUCT - DO NOT AMEND MANUALLY		