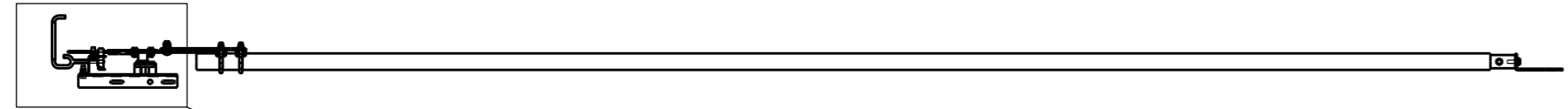
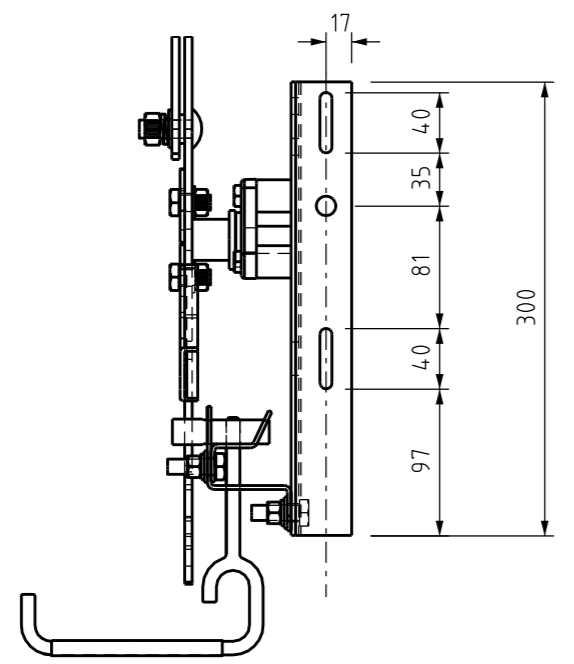


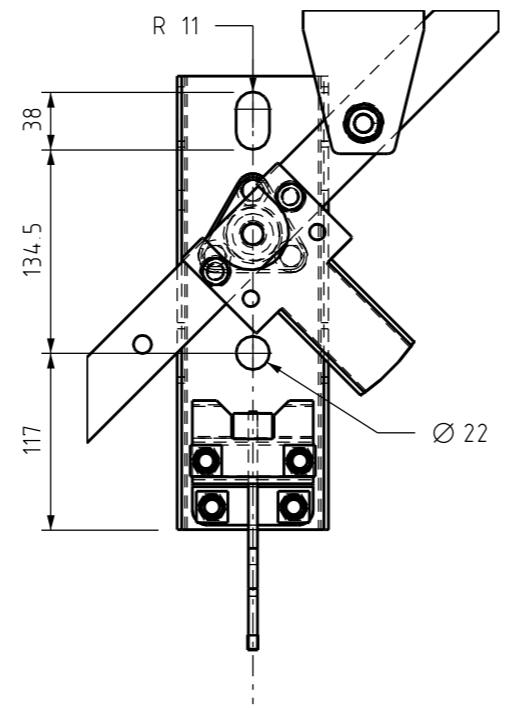
FRONT ELEVATION  
1:20



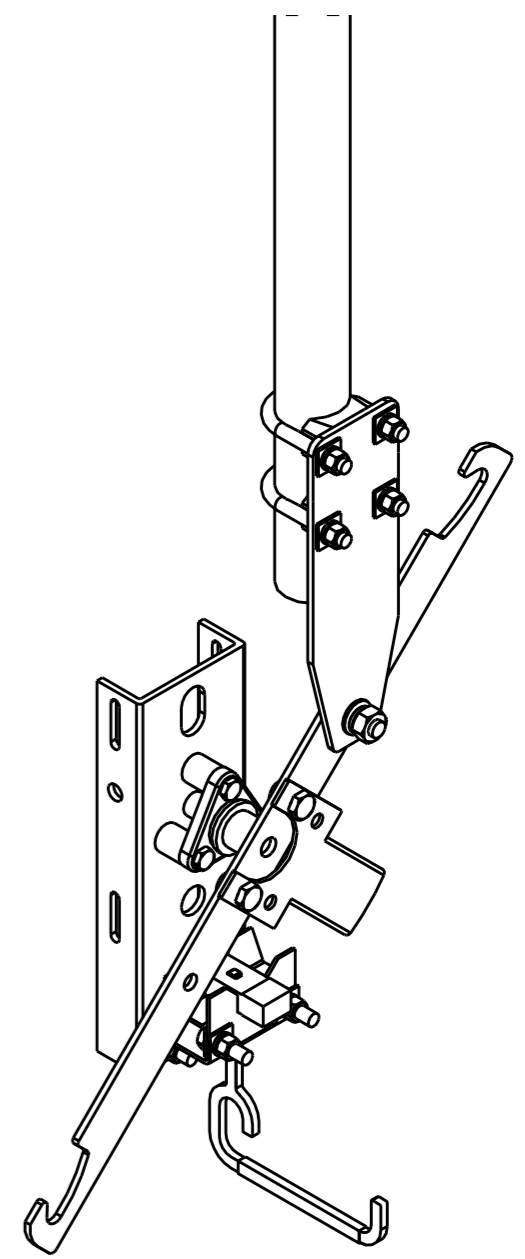
SIDE ELEVATION  
1:20



DETAIL 1  
1:5



DETAIL 2  
1:5



ISOMETRIC VIEW DETAIL  
1:5

ITEM NUMBER:  
ACTUATION ARM 4 METER 504461  
ACTUATION ARM 6 METER 504462

0	ISSUED FOR CONSTRUCTION	C.C.	MAY'20	B.V.	B.C.
NO	DESCRIPTION	DRN	DATE	CKD	APPD
AMENDMENTS					



DES	B.CHEUNG	POWER STANDARD DRAWING			
DRN	C.COPPINS	LINE HARDWARE			
CKD	B.VANDERSTELT	NGK GBS ACTUATION ARM			
APPD	B.CHEUNG				
SCALE	AS SHOWN				
ISSUED	MAY 2020	A3	DRAWING NUMBER	S01-01-04-56	
ALL DIM.	IN mm				
DRAFTING STANDARD TO A.S.1100		CAD PRODUCT - DO NOT AMEND MANUALLY			AMDT