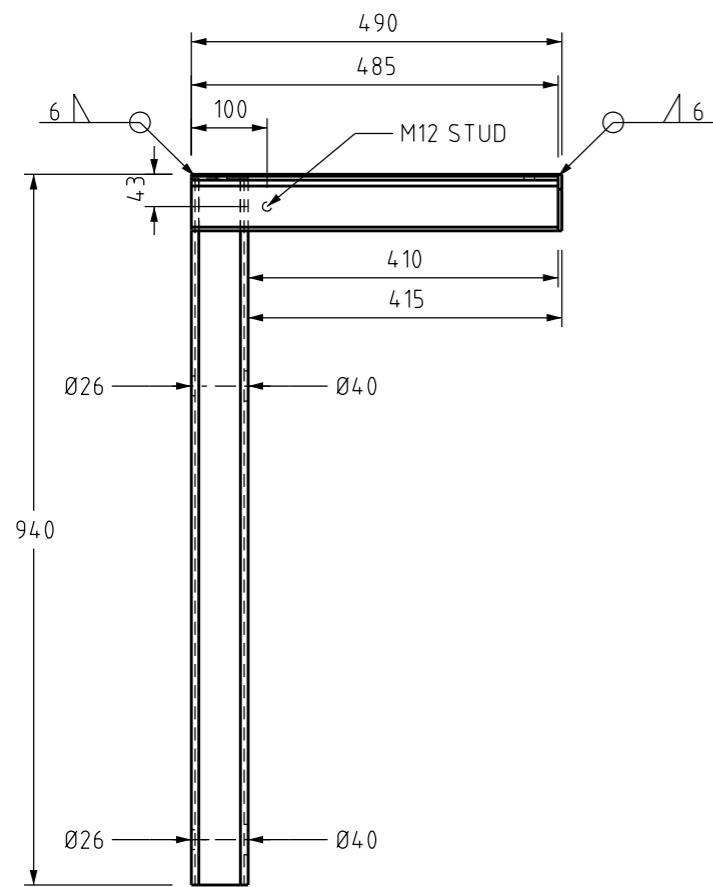
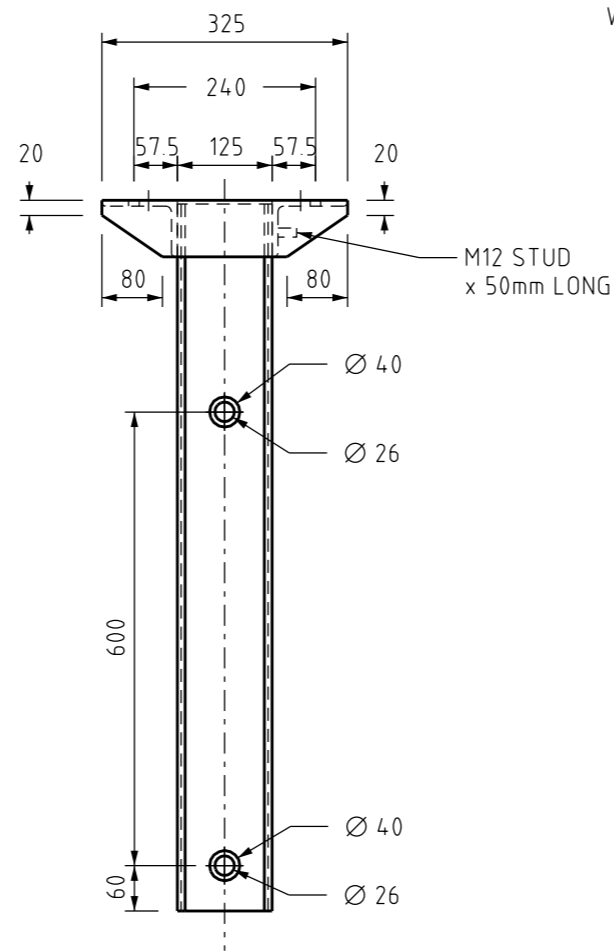


TOP VIEW  
1:10



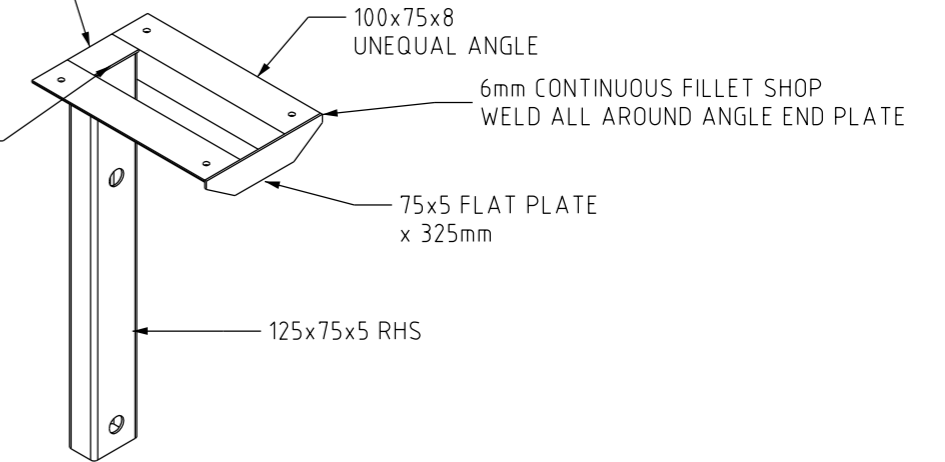
FRONT VIEW  
1:10



SIDE VIEW  
1:10

5mm CAP PLATE FULLY WELDED TO TOP AND BOTTOM OF RHS, ALLOW FOR WEEP HOLES FOR GALVANISING

6mm CONTINUOUS FILLET SHOP WELD ALL AROUND ANGLE TO RHS



ISOMETRIC VIEW  
N.T.S.

NGK GBS TOP MOUNTED BRACKET  
ITEM NUMBER:504548

NOTE:

- ALL STEEL TO BE HOT DIP GALVANISED

1 HOLE DIMENSION AMENDED  
0 ISSUED FOR CONSTRUCTION

NO	DESCRIPTION	DRN	DATE	CKD	APPD
	AMENDMENTS				

C.C. OCT'20 B.V. B.C.  
C.C. MAY'20 B.C. B.V.



DES		POWER STANDARD DRAWING	
DES	B.CHEUNG	NGK GBS TOP MOUNTED BRACKET HOT DIP GALVANISED	
DRN	C.COPPINS		
CKD	B.CHEUNG		
APPD	B.VANDERSTELT		
SCALE	AS SHOWN		
ISSUED	MAY 2020	A3	DRAWING NUMBER S01-01-06-19
ALL DIM.	IN mm		
DRAFTING STANDARD TO A.S.1100		CAD PRODUCT - DO NOT AMEND MANUALLY	

