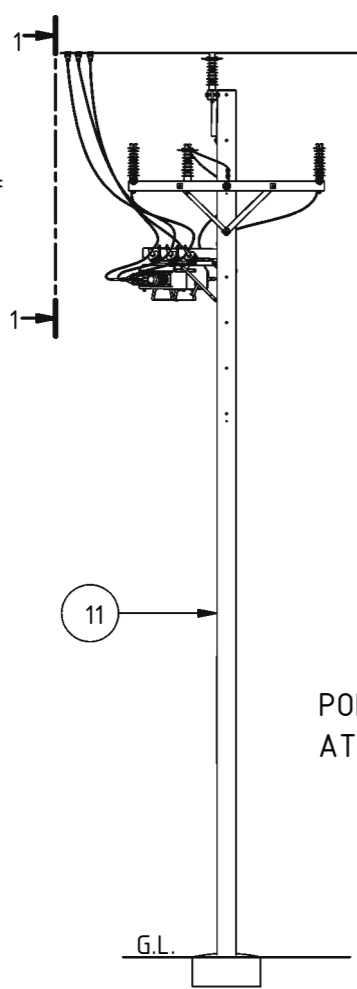
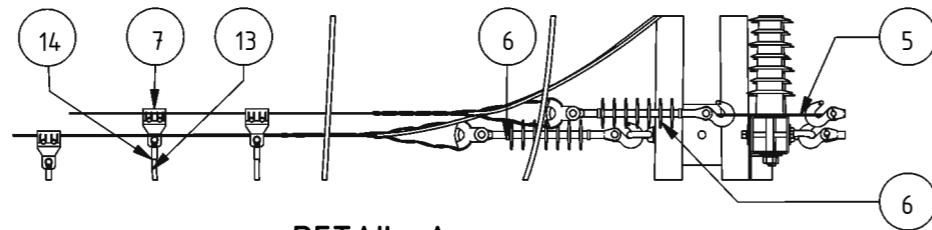


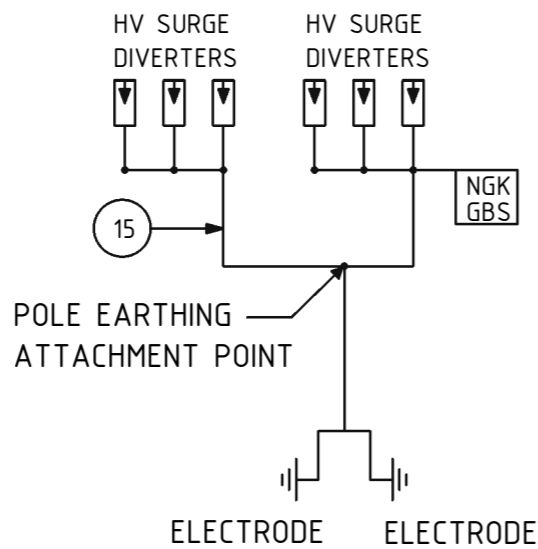
FRONT ELEVATION
SCALE - 1 : 100



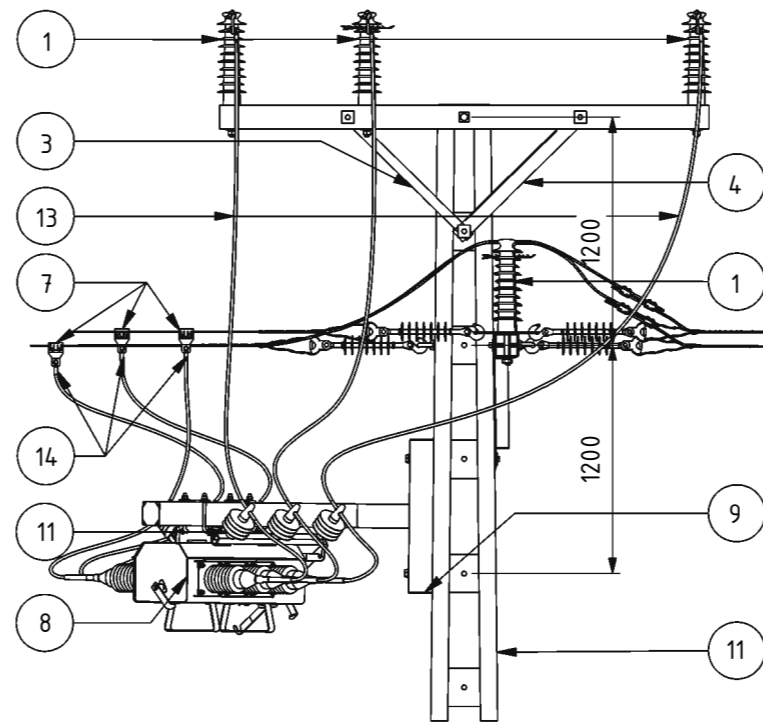
SIDE ELEVATION
SCALE - 1 : 100



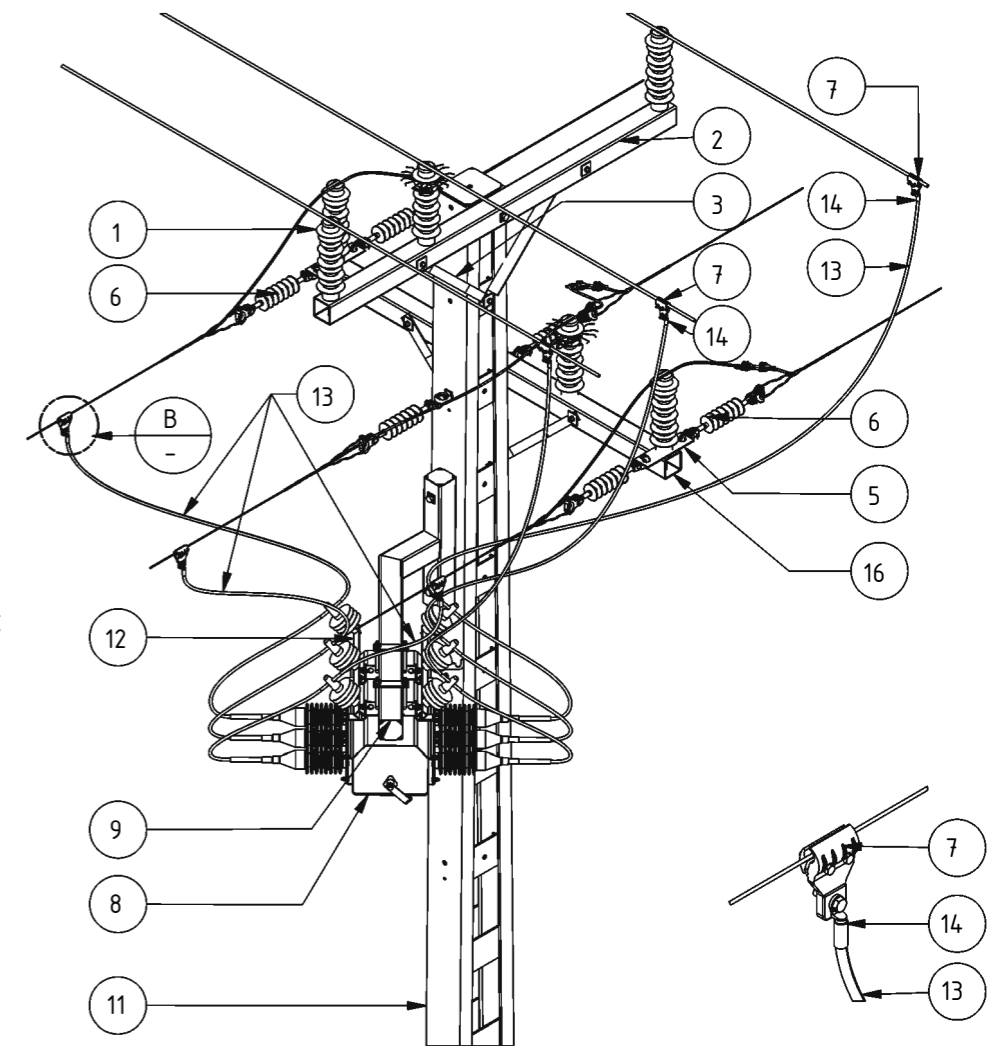
DETAIL :A
SCALE - 1 : 25



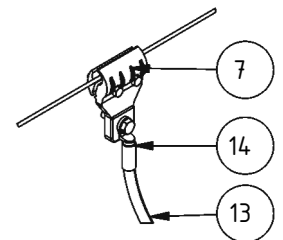
**EARTHING SINGLE LINE
DIAGRAM**
SCALE - NTS



SECTION: 1-1
SCALE - 1 : 40



ISOMETRIC VIEW
SCALE - 1 : 40



DETAIL:B
SCALE - 1 : 10

NOTES :

- REFER TI S01-02-03-11, S01-02-03-12, S01-02-03-13 FOR UNDERGROUND EARTHING DETAILS. IF EARTHING RESISTANCE EXCEEDS 300HMS WITH ALL CMEN/MED CONNECTIONS REMOVED, THE POLE NEEDS TO BE ASSESSED IN ACCORDANCE WITH EG0/AS7000
- BOND SWITCH EARTH TO NEAREST SURGE ARRESTOR EARTH STUD VIA 70sqmm YELLOW/GREEN INSULATED COPPER CABLE
- DESIGN IS FOR HV A/C TOP CONFIGURATION. DESIGN MAY BE AMENDED FOR OTHER CONFIGURATIONS. ADDITIONAL STAND OFF INSULATORS MAY BE REQUIRED TO MAINTAIN CLEARANCES.

| ITEM | QTY | DESCRIPTION | ITEM NUMBER | DRG NUMBER |
|------|-----|---|-------------|----------------|
| 9 | 1 | NGK GBS ANGLE MOUNTED HANGING BRACKET | 505165 | S01-01-06-22 |
| 8 | 1 | GAS BREAK SWITCH | 400812 | S01-01-04-19 |
| 7 | 6 | CLAMP DISCONNECT TEE | 2295 | S01-01-04-10 |
| 6 | 6 | 22kV POLYMER SUSPENSION INSULATOR | 292656 | S01-01-03-09 |
| 5 | 2 | HV STRAIN PLATE | 298653 | S01-01-04-37 |
| 4 | 2 | CROSS ARM BRACE ANGLE | 400815 | S01-02-01-49 |
| 3 | 2 | CROSS ARM BRACE FLAT | 298687 | S01-02-01-49 |
| 2 | 1 | CROSS ARM HV LINE FIBREGLASS ITEM 9 | 298802 | S01-01-02-10_2 |
| 1 | 6 | INSULATOR CYCLOALIPHATIC VERTICAL LINE POST | 300467 | S01-01-03-10 |
| ITEM | QTY | DESCRIPTION | ITEM NUMBER | DRG NUMBER |

MATERIAL SCHEDULE

| 18 | 2 | HEAT SHRINK 35/12mm | 3228 | S02-01-02-15 |
|------|-----|---|--------------------------------|--------------|
| 17 | 6 | 120sqmm LUG | 400864 | S02-01-02-11 |
| 16 | 1 | HV TERMINATION CROSS ARM ITEM 7 | 414398 | S01-01-02-10 |
| 15 | AR | AR 70sqmm YELLOW/GREEN INSULATED COPPER CABLE | 401059 | S02-01-01-23 |
| 14 | 12 | BELL MOUNTED LUGS FOR 150sqmm FLEX CABLE | 402692 | S02-01-02-11 |
| 13 | AR | 150sqmm EPR INSULATED FLEXIBLE COPPER CABLE | 300368 | S02-01-01-34 |
| 12 | 2 | SURGE ARRESTOR MOUNT | 413103 | S01-01-06-17 |
| 11 | 1 | UNIVERSAL LINE POLE | - | - |
| 10 | 6 | SURGE DIVERTER | 11kV - 249425 22kV - 249433 | S01-01-04-19 |
| ITEM | QTY | DESCRIPTION | ITEM NUMBER | DRG NUMBER |

MATERIAL SCHEDULE

| 0 | ISSUED FOR CONSTRUCTION | P.G | APR'25 | B.B. | B.V. |
|------------|-------------------------|-----|--------|------|------|
| NO | DESCRIPTION | DRN | DATE | CHK | APPD |
| AMENDMENTS | | | | | |



| | | | | | |
|-------------------------------|---------------|--|----------------|--------------|--|
| DES | B.BAYRAM | POWER STANDARD DRAWING | | | |
| DRN | P.GUNA | ASSEMBLIES FOR UNIVERSAL POLE CONSTRUCTION INTERSECTING FEEDERS SF6 GAS LOAD BREAK SWITCH | | | |
| CHK | B.BAYRAM | | | | |
| APPD | B.VANDERSTELT | | | | |
| SCALE | AS SHOWN | A3 | DRAWING NUMBER | S01-02-07-19 | |
| ISSUED | APR'25 | CAD PRODUCT - DO NOT AMEND MANUALLY | | | |
| ALL DIM. | IN mm | | | | |
| DRAFTING STANDARD TO A.S.1100 | | AMDT | | | |