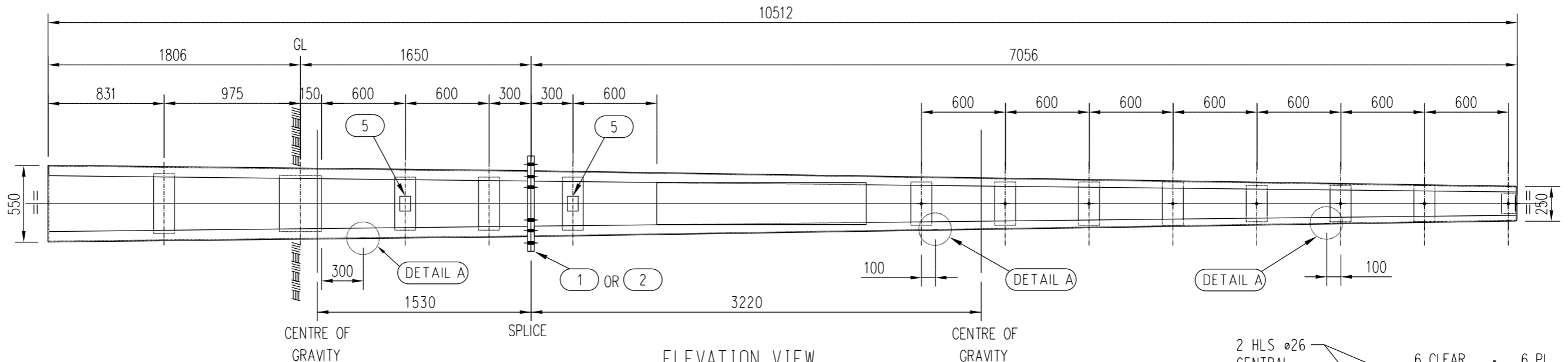


TWO PIECE SPLICED POLE 10.5B - STOCK CODE: 503619

TOTAL MASS 10.5B - TOP - 379Kg
 TOTAL MASS 10.5B - BOTTOM - 197Kg

TWO PIECE SPLICED POLE 10.5C - STOCK CODE: 503624

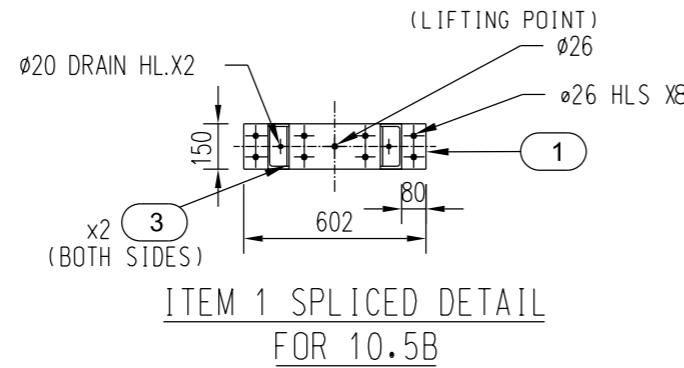
TOTAL MASS 10.5C - TOP - 466Kg
 TOTAL MASS 10.5C - BOTTOM - 242Kg



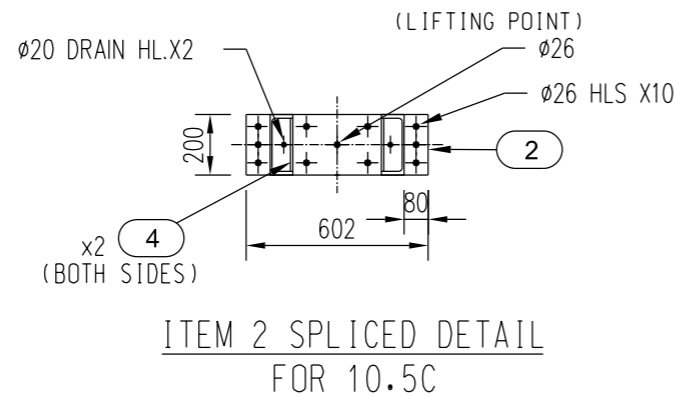
ELEVATION VIEW
 NOT TO SCALE

XXX ← FABRICATOR'S NAME
 01 - 15 ← MONTH AND YEAR OF FABRICATION
 12B ← POLE SIZE
 1001B ← UNIQUE SECTION IDENTIFIER
 SEQUENCE (#####T OR #####B)
 202 KG ← SECTION'S TIER WEIGHT

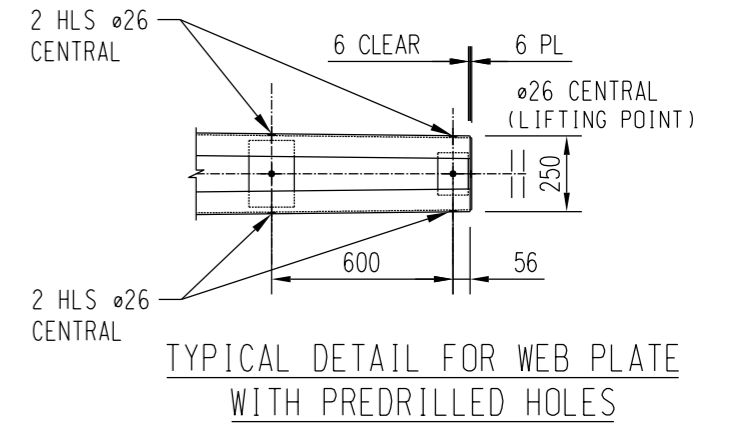
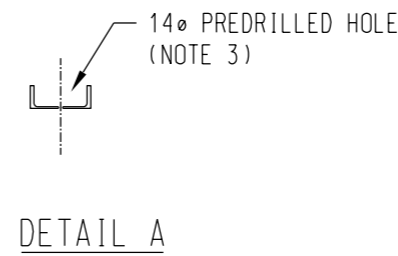
ITEM 5 POLE DATA PLATE DETAILS



**ITEM 1 SPLICED DETAIL
 FOR 10.5B**



**ITEM 2 SPLICED DETAIL
 FOR 10.5C**



- NOTES:**
- CENTRE OF GRAVITY / LIFTING POINT SHALL BE MARKED ON EACH SECTION.
 - TWO PIECE SPLICED POLE IS NOT THE PREFERRED OPTION FOR GREENFIELD SITES.
 - 14Ø PREDRILLED HOLE FOR EARTH BOND AND NEUTRAL BOND TERMINATION.
 - REFER TO S01-2-1-69 FOR INSTALLATION DETAILS.
 - APPLICATION OF THIS POLE IS RESTRICTED FOR INTERNAL POWER NETWORKS USE ONLY. FOR OTHER APPLICATIONS AND APPROVALS, CONTACT POWER NETWORKS STANDARDS.

ITEM	QTY. 10.5B	QTY. 10.5C	MATERIAL DESCRIPTION
1	2	-	602 x 150 x 25 FMS. FLANGE PLT. 26 DIA HOLES
2	-	2	602 x 200 x 25 FMS. FLANGE PLT. 26 DIA HOLES
3	4	-	128 x 200 x 8 FMS. STIFFENER PLT.
4	-	4	174 x 200 x 8 FMS. STIFFENER PLT.
5	2	2	POLE DATA NAMEPLATE

NO	DESCRIPTION	DRN	DATE	CKD	APPD
0	ISSUED FOR INFORMATION	J.NOY	FEB 16	A.TAY	I.BAS
AMENDMENTS					



DES	-	POWER STANDARD DRAWING		
DRN	J.NOYNAY	TWO PIECE SPLICED POLE LINE 10.5B AND 10.5C BOLTED CONNECTIONS TYPE		
CKD	A.TAYLOR			
APPD	I.BASHIR			
SCALE	AS SHOWN			
ISSUED	FEB '16	A3	DRAWING NUMBER	S01-1-1-31
ALL DIM.	IN MM			
DRAFTING STANDARD TO A.S.1100			CAD PRODUCT - DO NOT AMEND MANUALLY	

