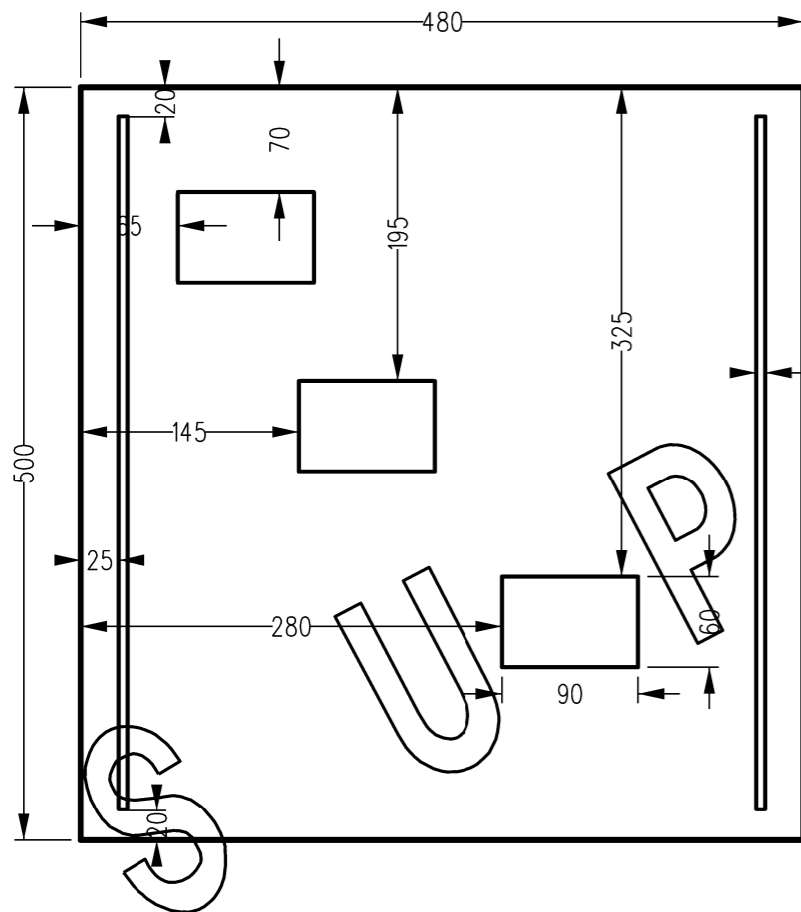


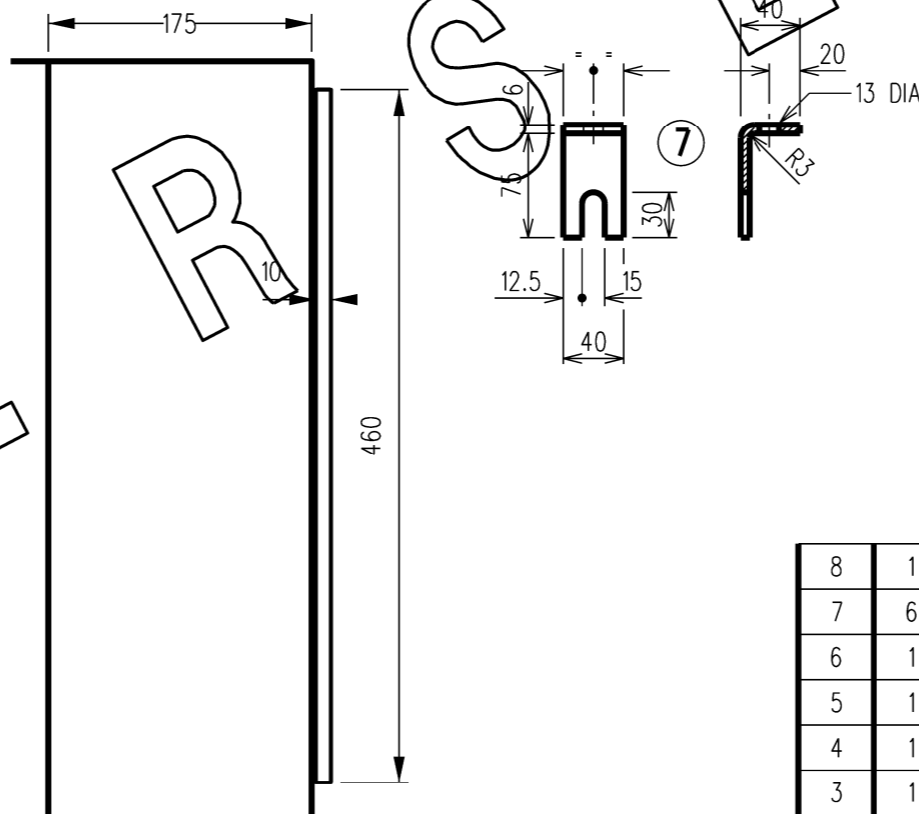
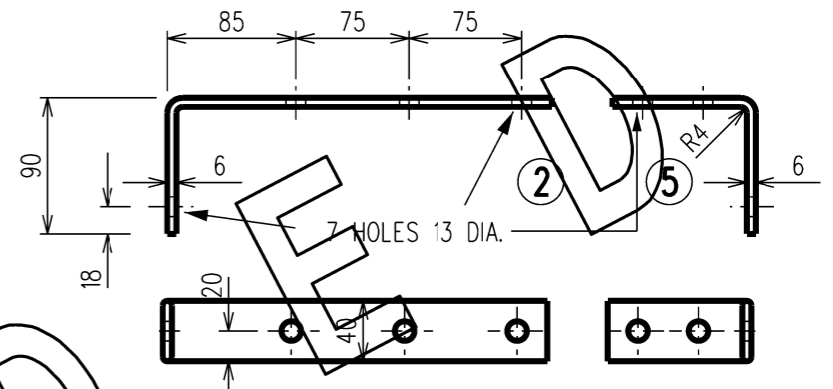
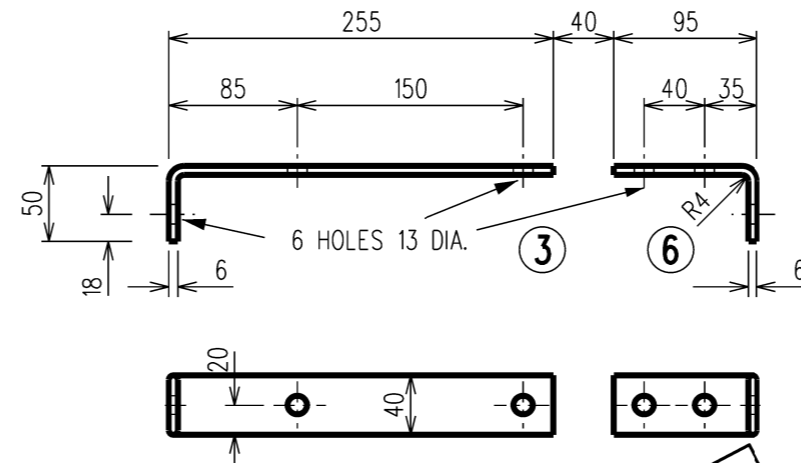
TOP

8

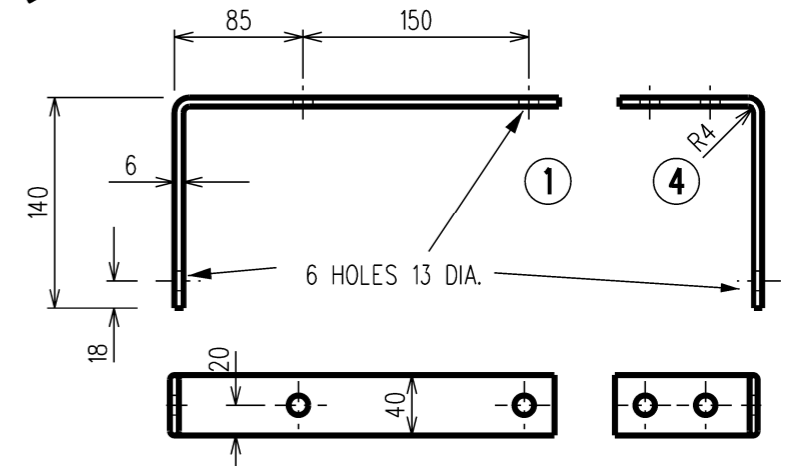


FRONT

CLEAR PVC,
HEAT WELDED



SIDE



DESIGN NOTE:
RAILS ARE TO PREVENT TURRET COVER HITTING
CB SWITCHES WHEN COVERING PILLAR

| ITEM | QTY. | DESCRIPTION | MATERIAL | STOCK CODE |
|------|------|-------------------------------------|---------------|------------|
| 8 | 1 | INTERNAL INSULATED COVER 3mm THICK | CLEAR PERSPEX | |
| 7 | 6 | BUSBAR 40 x 75 x 5 THICK | TINNED COPPER | |
| 6 | 1 | BUSBAR 50 x 90 x 6.5 THICK (BLUE) | COPPER | |
| 5 | 1 | BUSBAR 90 x 90 x 6.5 THICK (WHITE) | COPPER | |
| 4 | 1 | BUSBAR 140 x 90 x 6.5 THICK (RED) | COPPER | |
| 3 | 1 | BUSBAR 50 x 255 x 6.5 THICK (BLUE) | COPPER | |
| 2 | 1 | BUSBAR 90 x 255 x 6.5 THICK (WHITE) | COPPER | |
| 1 | 1 | BUSBAR 140 x 255 x 6.5 THICK (RED) | COPPER | |

| NO | DESCRIPTION | DRN | DATE | CKD | APPD |
|------------|-------------------------|------|--------|------|------|
| 1 | SUPERSEDED | A.T. | DEC'12 | B.C. | B.C. |
| 0 | ISSUED FOR CONSTRUCTION | K.I. | OCT'05 | C.C. | C.C. |
| AMENDMENTS | | | | | |

PowerWater
NORTHERN TERRITORY

| | | | |
|-------------------------------|---|----------------|--------------|
| DES PAWC | POWER STANDARD DRAWING | | |
| DRN A. SCHMID | DISTRIBUTION - PILLARS STREET SIDE TYPE LINK PILLAR/PANEL COMPONENTS | | |
| CKD R. CLEOPAS | | | |
| APPD C. CAMILLERI | A3 | DRAWING NUMBER | S02-01-03-11 |
| SCALE 1 : 5 | | | |
| ISSUED DEC'04 | | | |
| ALL DIM. IN mm | | | |
| DRAFTING STANDARD TO A.S.1100 | CAD PRODUCT - DO NOT AMEND MANUALLY | | AMDT |