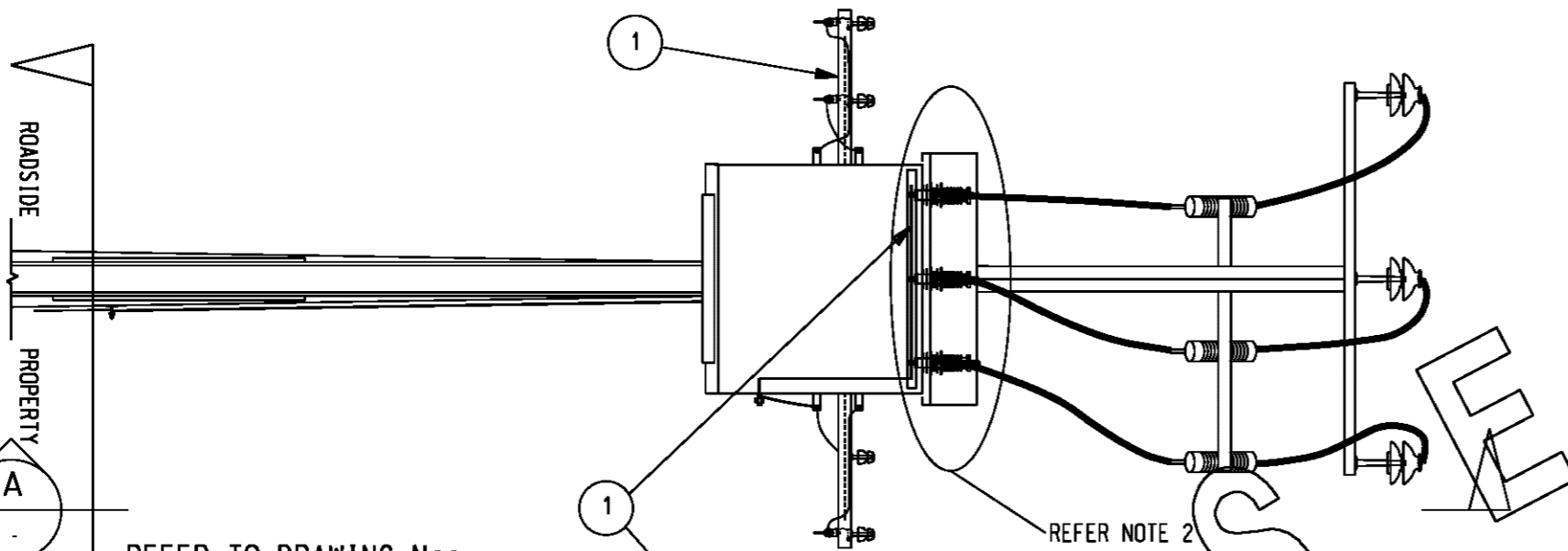


Scale 1:40

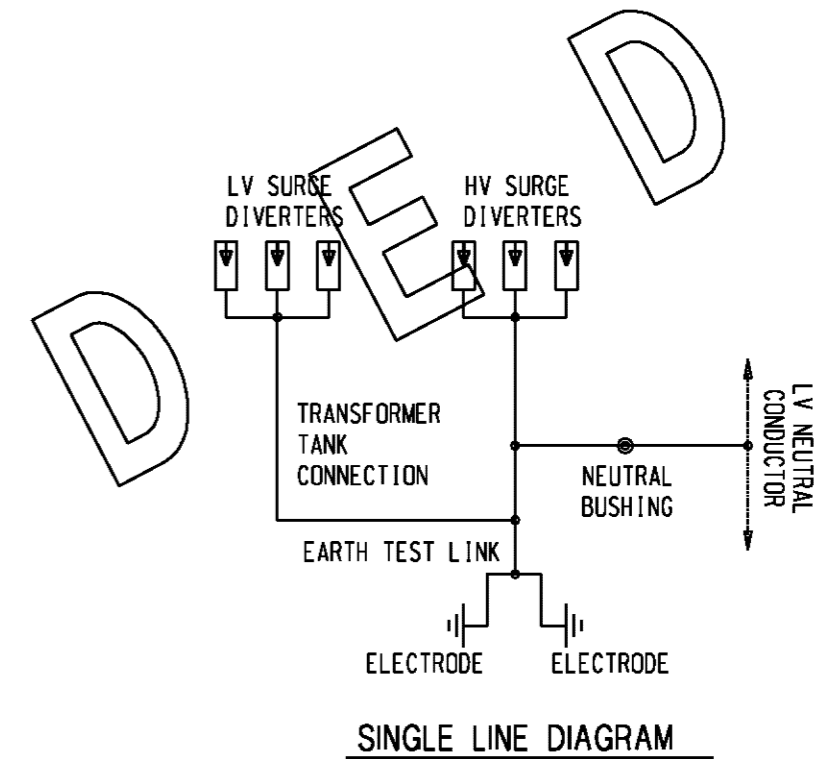
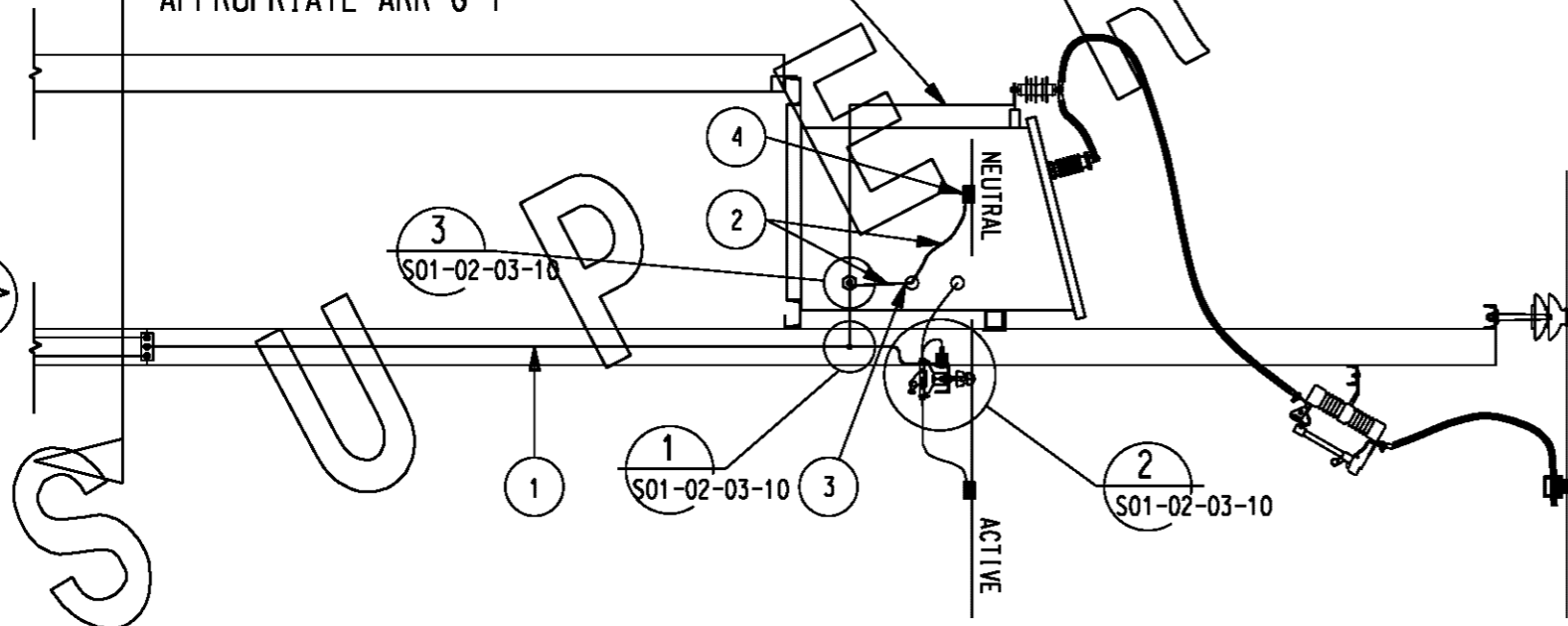
ELEVATION



REFER TO DRAWING Nos.
S01-02-03-11, S01-02-03-12
and S01-02-03-13 FOR
APPROPRIATE ARR'G'T

Scale 1:40

SECTION



NOTES

1. REFER TO DRAWINGS S01-02-03-10 FOR DETAILS OF EARTHING CONDUCTOR CONNECTIONS.
2. EARTHING BUSBAR TO BE FIXED TO POLE WITH POWER FASTENERS (E.G. RAMSET) AT MAXIMUM 1000mm CENTRES, U.N.O.
3. REFER TO DWG S01-02-01-13 FOR AMENDED INSTALLATION ARRANGEMENT WHEN DAMAGED A.B.B./BOWTHORPE PORCELAIN TYPE SURGE DIVERTERS (SHOWN IN DWG S01-01-04-32) ARE REPLACED WITH RAYCHEM & BOWTHORPE POLYMER HOUSED SURGE DIVERTERS SHOWN IN DWG S01-01-04-19 & S01-01-04-33 RESPECTIVELY.

TAG No	QTY.	DESCRIPTION	STOCK CODE	DRG REF
4	1	CLAMP - BI-METAL PARALLEL GROOVE	115774	S01-01-04-25
3	3	LUG - COPPER COMPRESSION - 70 sq.mm	5512	-
2	2 m	CONDUCTOR - COPPER 19/2.14 - 70 sq.mm	9803	S01-01-05-05
1	12 m	BUSBAR - COPPER - 25 mm x 3 mm	9837	S01-01-05-05

MATERIAL SCHEDULE

NO	DESCRIPTION	DRN	DATE	CKD	APPD
5	SUPERSEDED	A.T.	DEC'12	B.C.	B.C.
4	EDO X-ARM ASSEMBLY REPOSITIONED ON OPPOSITE SIDE OF POLE. NOTE 2 ADDED	J.A.L.	APR'95	S.C.M.	P.J.D
3	TAG 1 AMENDED	G.R.	FEB'94	pmc	C.H.Y
2	EARTHING ARRANGEMENT MODIFIED TO SUIT METAL OXIDE SURGE DIVERTER	gmck	OCT'92	N.S.	B.T.K

AMENDMENTS



DES	T.M-L.	POWER STANDARD DRAWING	
DRN	pmc	EARTHING SUBSTATION 500 kVA - STEP DOWN ONE and A HALF POLE	
CKD	N.S.	A3	DRAWING NUMBER S01-02-03-08
APPD	B.T.Kent		
SCALE	1:40	DRAFTING STANDARD TO A.S.1100	
ISSUED	FEB'91	CAD PRODUCT - DO NOT AMEND MANUALLY	
ALL DIM. IN mm		AMDT	