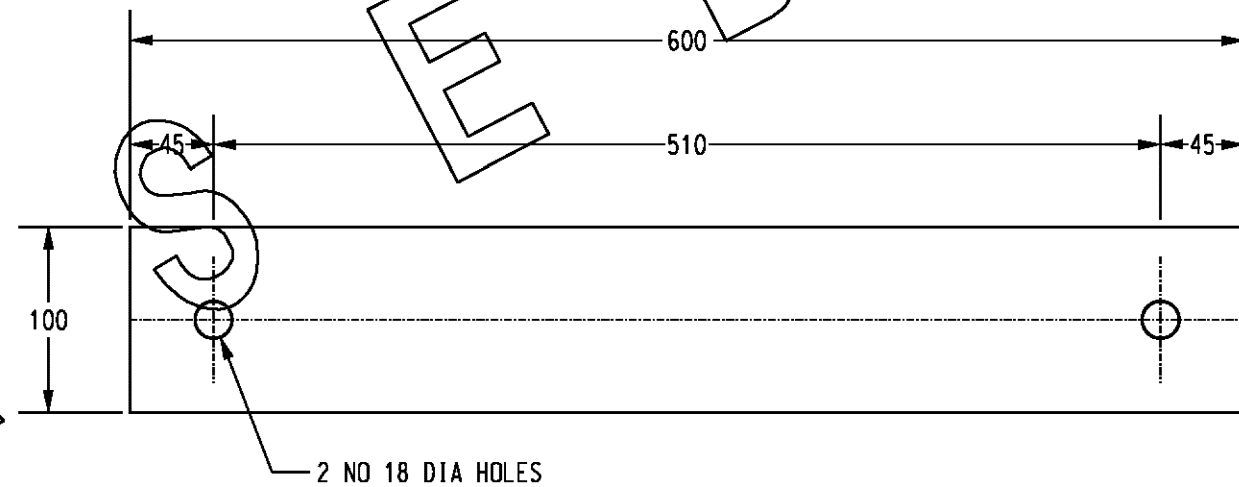


ISOMETRIC VIEW  
Q TYPE POLE TOP ASSEMBLY USING  
STEEL REPLACEMENT CROSSARMS

SCALE 1:10



ITEM 1: SPACER  
MATERIAL: 100 X 12 BAR, 600 LONG  
STOCK CODE: .....

THIS ITEM IS USED FOR STEEL REPLACEMENT  
CROSSARMS FOR TIMBER POLE TOP TYPE Q.  
SCALE 1:4

S

U

D

E

R

E

D

E

D

NO	DESCRIPTION	DRN	DATE	CKD	APPD
1	SUPERSEDED	A.T.	DEC'12	B.C.	B.C.
AMENDMENTS					



DES	G.HAWTHORNE	POWER STANDARD DRAWING		
DRN	R.INNES	<b>LINE HARDWARE SPACER, STEEL REPLACEMENT CROSSARMS FOR TIMBER TYPE Q.</b>		
CKD	-			
APPD	F.ROBSON			
SCALE	SEP'99			
ISSUED	1:4	A3	DRAWING NUMBER	S01-01-04-36
ALL DIM.	IN mm		CAD PRODUCT - DO NOT AMEND MANUALLY	
DRAFTING STANDARD TO A.S.1100				AMDT