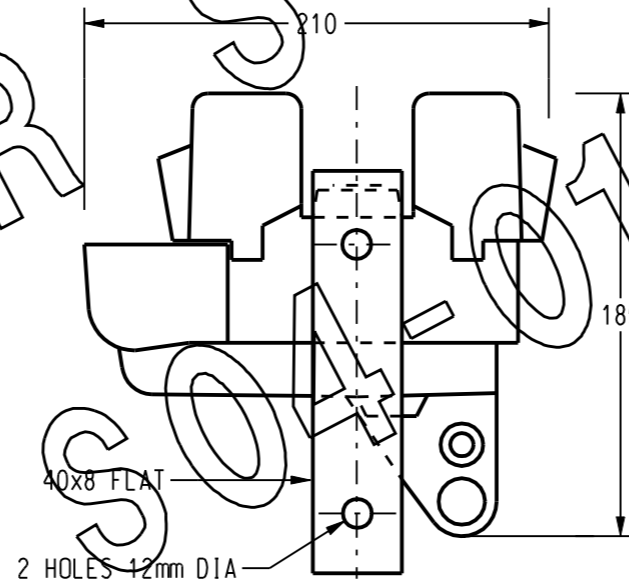
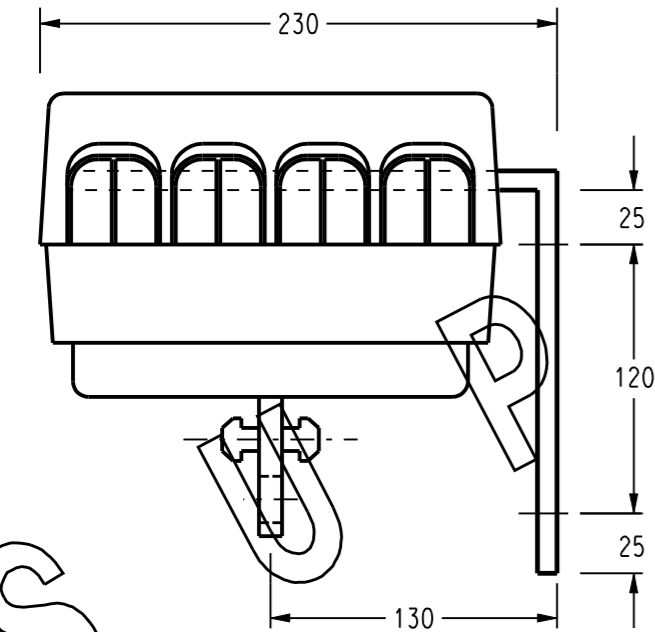
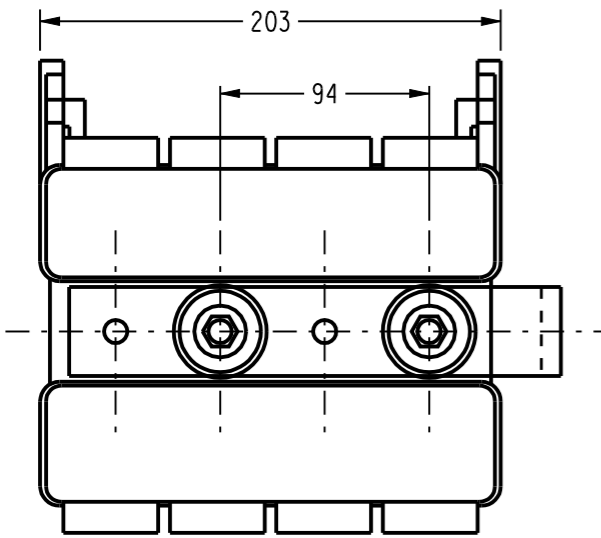


3RD ANGLE -DO NOT SCALE - REPORT ANY ERRORS, OMISSIONS TO DRAFTING OFFICE

BY



NOTES :

1. UNIT TO BE SUPPLIED WITH GALVANIZED MOUNTING BRACKET.
2. ISOLATOR RATING - 245 AMP WITH LINK BLADES
- 160 AMP WITH FUSES

ITEM No.	DESCRIPTION	STOCK CODE
2	CARTRIDGE STRIPLE FUSE 160A FAST ACTING 500V AC SIZE 00 DIN 43-620	205088
3	LINK BLADE 160A 500V SIZE 00 DIN 43-620	205070

REFER TO S04-01-03-05 FOR 250A SWITCH ISOLATOR / FUSE

REFER TO S04-01-03-06 FOR 160A SWITCH ISOLATOR / FUSE

ITEM 1 - SWITCH LV COMBINATION ISOLATOR/FUSE 160A SIZE 00

ITEM NUMBER 205096

5 TITLEBLOCK & DRAWING NUMBER FORMATTED 4 DRAWING REFERENCES ADDED 3 REDRAWN ON CAD. 2 REDRAWN ON CAD. 1 NOTE 2 AMENDED. FUSE CHANGED TO 160A.					 NORTHERN TERRITORY	DES -	POWER STANDARD DRAWING		
						DRN A.DAVIS	SWITCHGEAR		
						CKD R.INNES	LV - ABC		
						APPD F.ROBSON	COMBINATION SWITCH		
						SCALE N.T.S.	ISOLATOR / FUSE		
				ISSUED MAY'98	A3	DRAWING NUMBER		S04-01-03-01	 AMDT
				ALL DIM. IN mm		DRAWING NUMBER		S04-01-03-01	
AMENDMENTS				DRAFTING STANDARD TO A.S.1100		CAD PRODUCT - DO NOT AMEND MANUALLY			