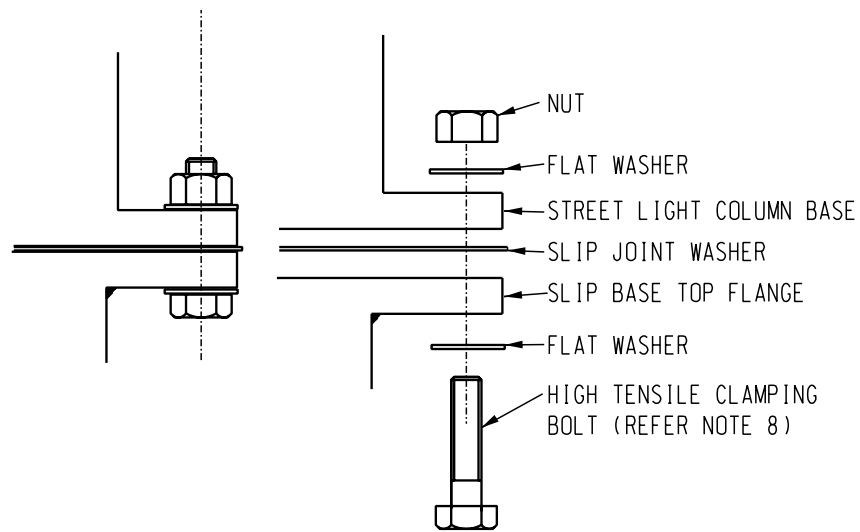


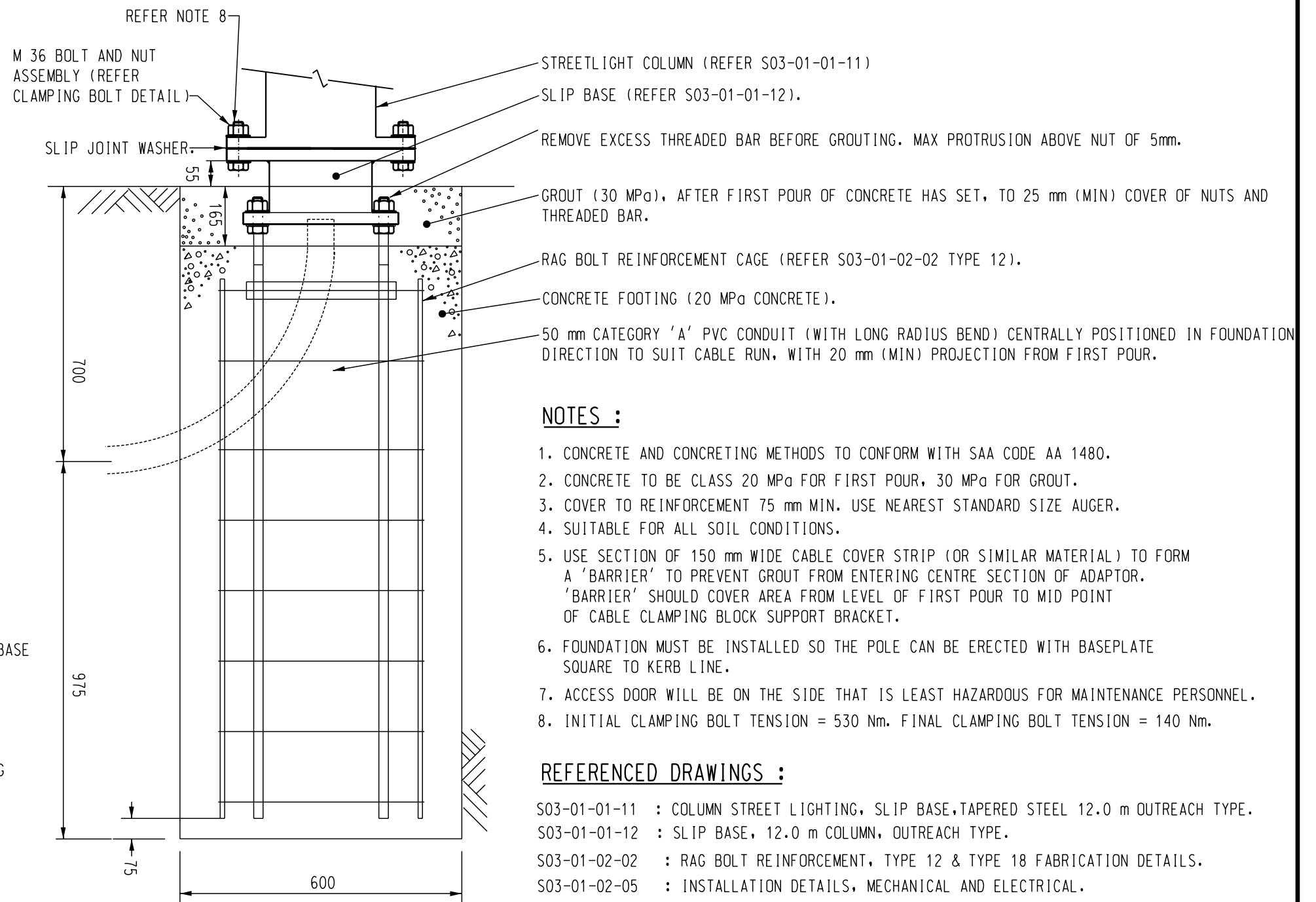
SLIP BASE ORIENTATION

Scale 1:10



CLAMPING BOLT ASSEMBLY DETAIL

N.T.S.



SECTIONAL ELEVATION

N.T.S.

NOTES :

1. CONCRETE AND CONCRETING METHODS TO CONFORM WITH SAA CODE AA 1480.
2. CONCRETE TO BE CLASS 20 MPa FOR FIRST POUR, 30 MPa FOR GROUT.
3. COVER TO REINFORCEMENT 75 mm MIN. USE NEAREST STANDARD SIZE AUGER.
4. SUITABLE FOR ALL SOIL CONDITIONS.
5. USE SECTION OF 150 mm WIDE CABLE COVER STRIP (OR SIMILAR MATERIAL) TO FORM A 'BARRIER' TO PREVENT GROUT FROM ENTERING CENTRE SECTION OF ADAPTOR. 'BARRIER' SHOULD COVER AREA FROM LEVEL OF FIRST POUR TO MID POINT OF CABLE CLAMPING BLOCK SUPPORT BRACKET.
6. FOUNDATION MUST BE INSTALLED SO THE POLE CAN BE ERECTED WITH BASEPLATE SQUARE TO KERB LINE.
7. ACCESS DOOR WILL BE ON THE SIDE THAT IS LEAST HAZARDOUS FOR MAINTENANCE PERSONNEL.
8. INITIAL CLAMPING BOLT TENSION = 530 Nm. FINAL CLAMPING BOLT TENSION = 140 Nm.

REFERENCED DRAWINGS :

- S03-01-01-11 : COLUMN STREET LIGHTING, SLIP BASE, TAPERED STEEL 12.0 m OUTREACH TYPE.
- S03-01-01-12 : SLIP BASE, 12.0 m COLUMN, OUTREACH TYPE.
- S03-01-02-02 : RAG BOLT REINFORCEMENT, TYPE 12 & TYPE 18 FABRICATION DETAILS.
- S03-01-02-05 : INSTALLATION DETAILS, MECHANICAL AND ELECTRICAL.
- S03-01-06-03 : MISCELLANEOUS SLIP BASE POLE & PIT CONNECTION DETAILS.
- S03-01-05-14 : RAG BOLT REINFORCEMENT, SLIP BASE 12.0 m COLUMN, FOUNDATION ARRANGEMENT.

2	TITLEBLOCK & DRAWING NUMBERS FORMATTED	K.T.	MAR'19	C.C.	C.C.
1	CONDUIT SIZE CHANGED	J.C.	MAR'09	A.T.	S.C.
NO	DESCRIPTION	DRN	DATE	CKD	APPD
AMENDMENTS					



DES	M. BOCK	POWER STANDARD DRAWING		
DRN	J. LIVESLY	COLUMN, TAPERED STEEL, 12.0m, OUTREACH TYPE		
CKD	M. BOCK	SLIP-BASE MOUNTED FOUNDATION ARRANGEMENT		
APPD	F. ROBSON	A3	DRAWING NUMBER	S03-01-02-04
SCALE	AS SHOWN			
ISSUED	FEB'97			
ALL DIM.	IN mm			
DRAFTING STANDARD TO A.S.1100		CAD PRODUCT - DO NOT AMEND MANUALLY		AMDT