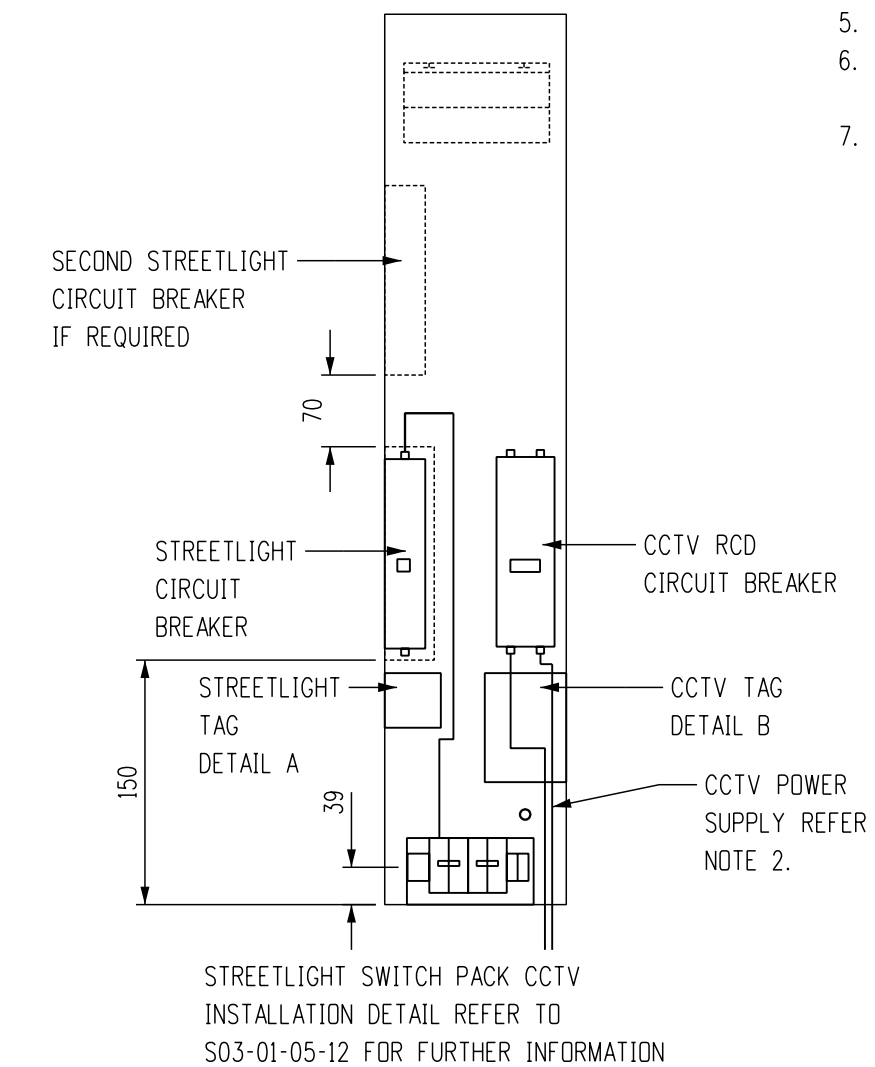


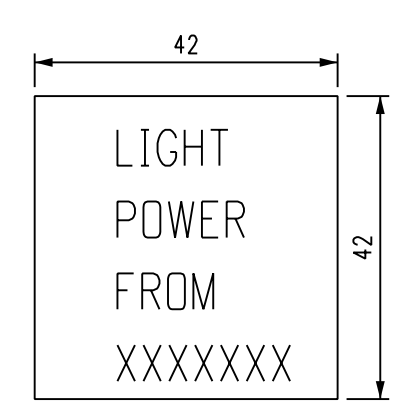
DETAIL C: CONTROL BOX TRAFFOLITE TAG
BLACK LETTERS ON WHITE BACKGROUND
SCALE 1:1



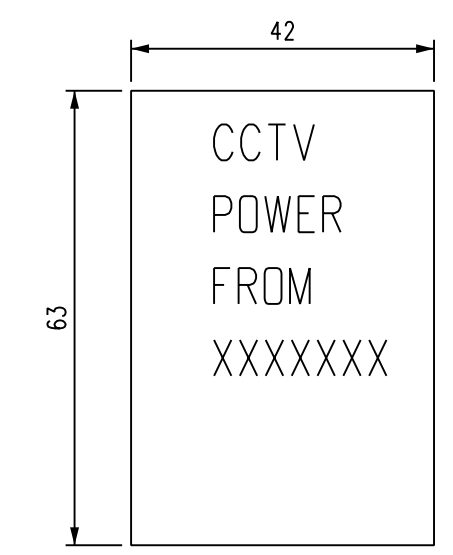
STREETLIGHT SWITCH PACK CCTV
INSTALLATION DETAIL REFER TO
S03-01-05-12 FOR FURTHER INFORMATION

NOTES:

1. STREETLIGHT COLUMN SHALL BE EITHER 9 OR 12M POLES AS SHOWN IN S03-01-01-01.
2. CCTV POWER SUPPLY SHALL BE SOURCED FROM AN UNMETERED SUPPLY AS SHOWN IN S02-02-01-02 WITH AN ISOLATION POINT ACECESSIBLE TO PWC, UNLESS OTHERWISE AGREED TO UPON APPLICATION.
3. BOTH STREETLIGHT AND CCTV POWER SOURCES SHALL BE IDENTIFIED WITH DESTINATION TAGS, REFER S02-01-08-25, ON THEIR RESPECTIVE CABLES AND ALSO WITH A TRAFFOLITE TAG UNDER THEIR RESPECTIVE CIRCUIT BREAKERS, REFER DETAILS A AND B. REPLACE XXXXXX WITH ISOLATION LOCATION.
4. ALL EXTERNAL CCTV ASSOCIATED DEVICES AND CONDUITS SHALL BE BANDIT STRAPPED TO THE POLE.
5. ALL CCTV ASSOCIATED ELECTRICAL EQUIPMENT SHALL BE DOUBLE INSULATED.
6. ALL CCTV INSTALLATIONS SHALL BE UNDER A LICENSED AGREEMENT WITH POWER AND WATER.
7. A TRAFFOLITE WARNING LABEL SHALL BE INSTALLED IN THE STREETLIGHT CONTROL BOX ON EVERY CIRCUIT THAT HAS CCTV EQUIPMENT INSTALLED. REFER DETAIL C.



DETAIL A:
STREETLIGHT TRAFFOLITE TAG
BLACK LETTERS ON WHITE
BACKGROUND
SCALE 1:1



DETAIL B:
CCTV TRAFFOLITE TAG
WHITE LETTERS ON RED
BACKGROUND
SCALE 1:1

2	TITLEBLOCK & DRAWING NUMBER FORMATTED	K.T.	MAR'19	C.C.	C.C.
1	NOTE 2 AMENDED	A.T.	MAY'13	B.C.	B.S.
0	ISSUED FOR CONSTRUCTION	C.C	MAR'13	B.C.	B.S.
NO	DESCRIPTION	DRN	DATE	CKD	APPD
AMENDMENTS					

DES	B.CHEUNG	POWER STANDARD DRAWING	
DRN	A.TAYLOR	9.0 AND 12.0 METER COLUMN OUTREACH TYPE WITH CCTV INSTALLATION	
CKD	B.CHEUNG		
APPD	B.SMALL		
SCALE	AS SHOWN	A3	DRAWING NUMBER S03-01-06-08
ISSUED	MAR 2013		
ALL DIM.	IN mm	DRAFTING STANDARD TO A.S.1100	
		CAD PRODUCT - DO NOT AMEND MANUALLY	

