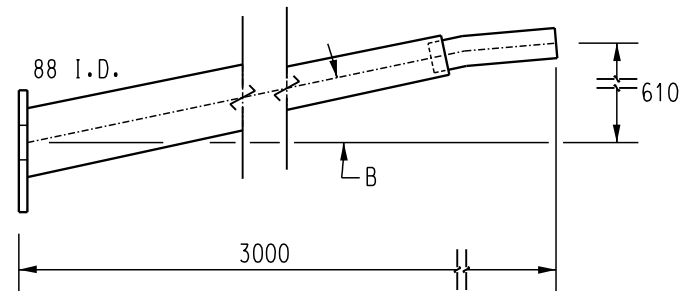
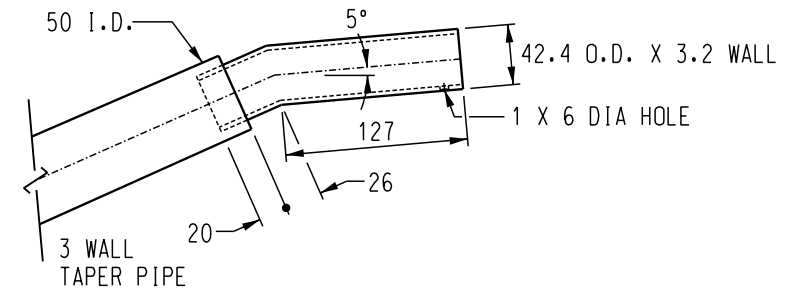


ITEM 1 SCALE 1:10

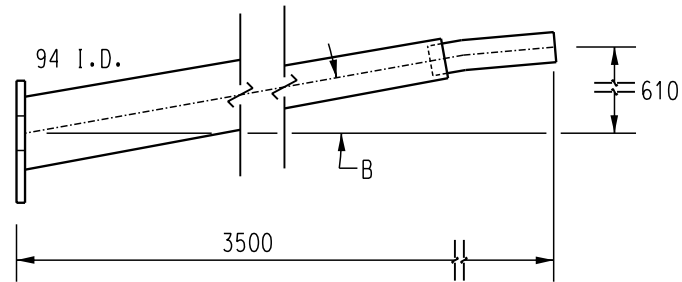


ITEM 3 SCALE 1:10

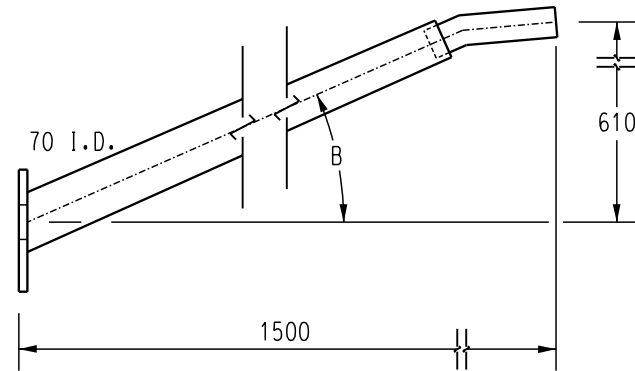


TYPICAL SPIGOT DETAIL

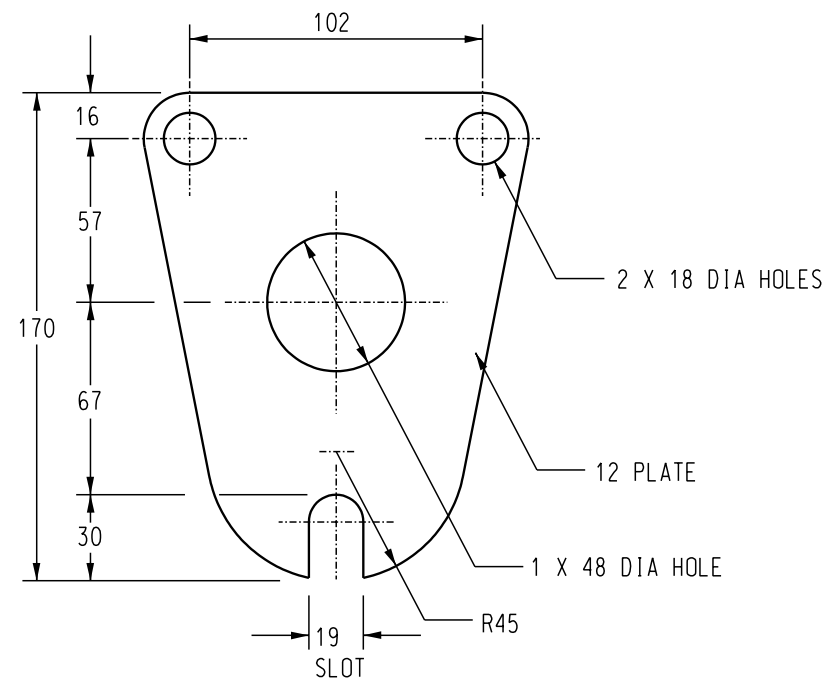
SCALE 1:5



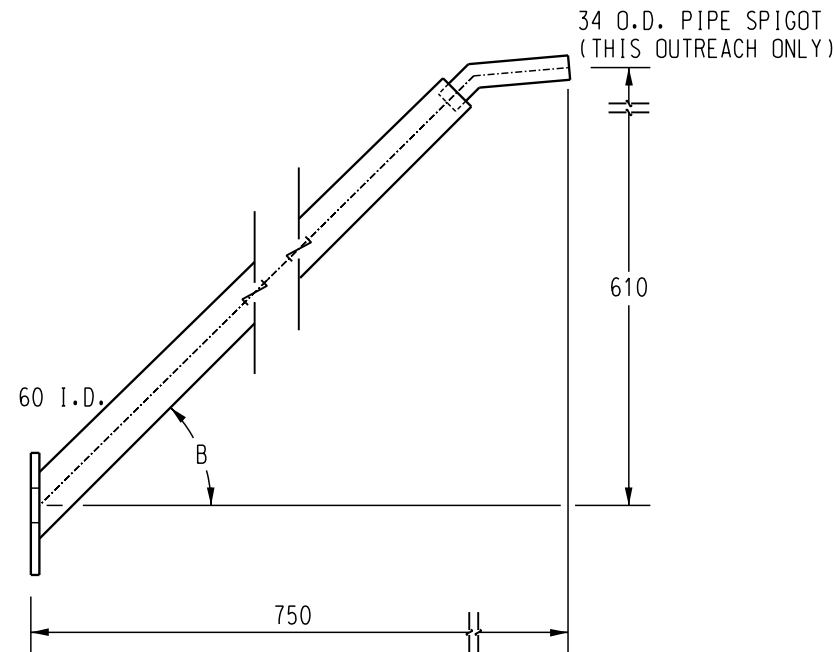
ITEM 2 SCALE 1:10



ITEM 4 SCALE 1:10



MOUNTING FLANGE DETAIL
SCALE 1:2.5



ITEM 5 SCALE 1:10

NOTES:

1. ALL WELDING AND WELD PREPARATION SHALL BE IN ACCORDANCE WITH AS1554.
2. CIRCUMFERENTIAL WELDS TO BE JOGGLED BUTT TYPE. LONGITUDINAL WELDS TO BE SINGLE BUTT TYPE. ALL WELDS TO BE MADE BY CONTINUOUS AUTOMATIC PROCESS AND ARE NOT TO BE DRESSED SMOOTH.
3. AFTER FABRICATION ALL COMPONENTS TO BE ACID DESCALED AND HOT DIPPED GALVANIZED MINIMUM 450g/sq.m TO AS4680.
4. WIND LOADINGS TO COMPLY WITH THE REQUIREMENTS OF AS1170 PART 2, i.e. REGION C AND TERRAIN CATEGORY 3. DESIGN TO BE BASED ON LUMINARIES WITH A WIND AREA OF 0.13sq.m, A MASS OF 12kg AND A DRAG COEFFICIENT OF 0.8 APPLIED TO IT.
5. OUTREACHES ARE TO CONFORM TO THE REQUIREMENTS OF AS4100 AND AS1798.
6. OUTREACHES ARE TO HAVE CONTINUOUS TAPER OVER THEIR ENTIRE LENGTH.
7. OUTREACHES OF A SHARP PRISMATIC SHAPE, i.e. POLYGONAL WILL NOT BE CONSIDERED DUE TO THEIR INCREASED DRAG COEFFICIENT.
8. ALL OUTREACH MANUFACTURERS SHALL COMPLY WITH ISO 3834.

OUTREACH DESCRIPTION					
ITEM	SPIGOT SIZE	ITEM NUMBER	LANTERN MOUNTING HEIGHT	NOMINAL LENGTH 'A'	UPLIFT ANGLE 'B'
1	42mm	6684	12m	4.5m	9°
2	42mm	228536	12m	3.5m	10°
3	42mm	6700	12m	3.0m	12°
4	42mm	10801	9m or 12m	1.5m	24°
5	34mm	287607	10.5m	0.75m	45°

9	TITLEBLOCK & DRAWING NUMBER FORMATTED	K.T.	FEB'19	C.C.	C.C.
8	GALVANIZING STANDARD UPDATED TO AS4680 NOTE 8 ADDED	A.T.	JAN'13	B.C.	B.C.
7	NEW OUTREACH, CHANGE TO MOUNTING FLANGE	RGI	SEP96	MWB	PJD
6	NOTE 4 AMENDED TO INCLUDE DRAG CO-EFFICIENT. NOTE 7 ADDED.	GMCK	SEP91	...	PMC
5	REDRAWN. NOTE 4 AMENDED TO SUIT NEW WIND LOADING CODE	GMCK	FEB91	...	NS
NO	DESCRIPTION	DRN	DATE	CKD	APPD
AMENDMENTS					



NORTHERN TERRITORY

DES	...	POWER STANDARD DRAWING			
DRN	R. INNES	OUTREACH TAPERED STEEL 0.75, 1.5, 3.0, 3.5 & 4.5 metre			
CKD	M. BOCK				
APPD	P. DEWAR	A3	DRAWING NUMBER	S03-01-01-10	
SCALE	1:5				
ISSUED	FEB'91	DRAWING NUMBER S03-01-01-10			
ALL DIM.	IN mm				
DRAFTING STANDARD TO A.S.1100		CAD PRODUCT - DO NOT AMEND MANUALLY		9 AMDT	