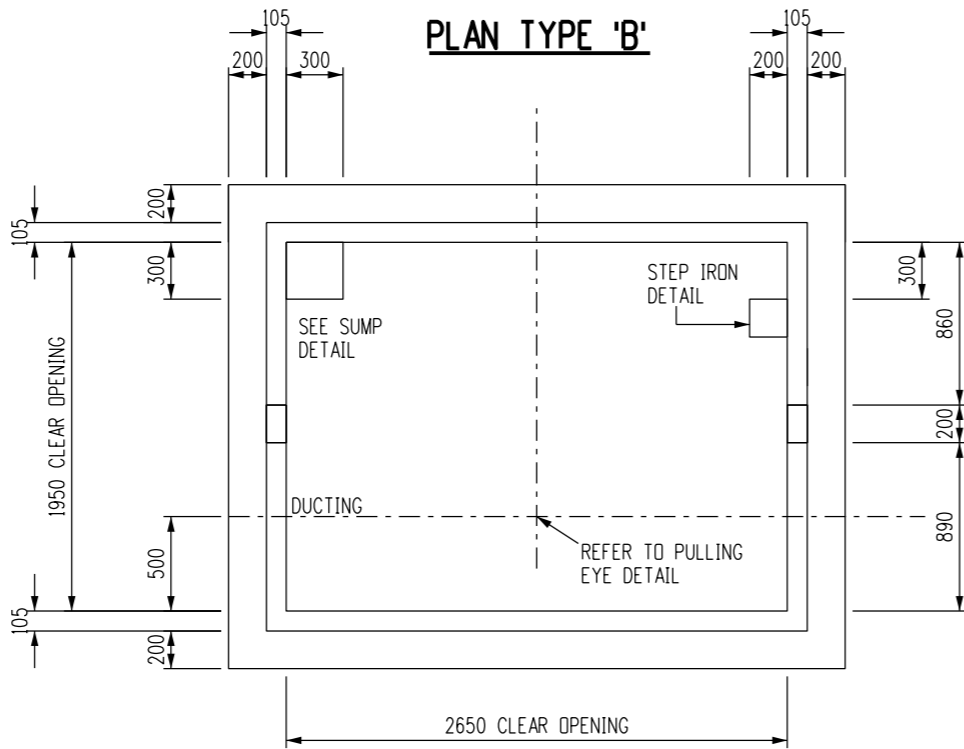
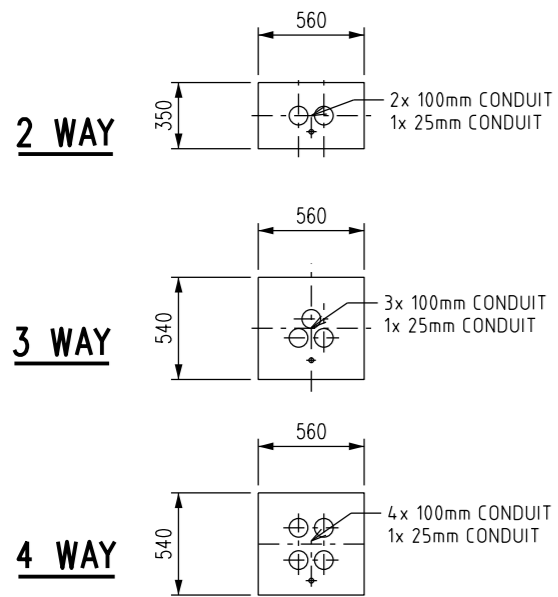
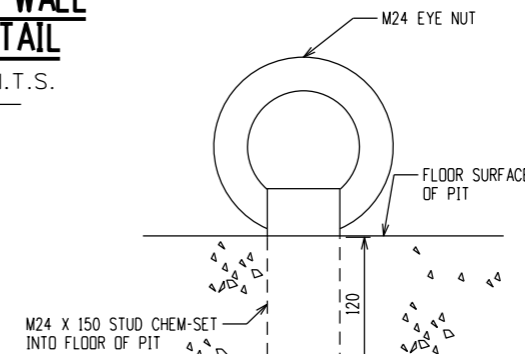
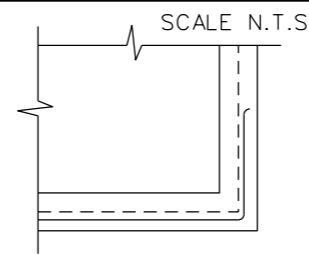


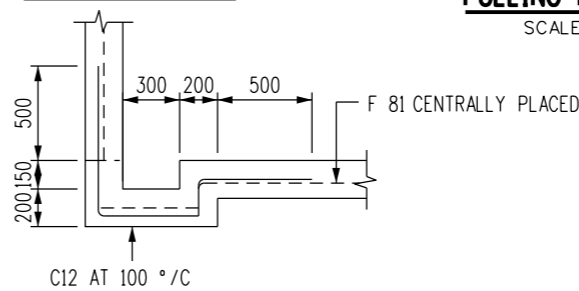
PIT WALL REINFORCING AT CONDUIT ENTRY



TYPICAL SIDE END WALL REINFORCING DETAIL



SUMP DETAILS



NOTES:

1. ALL CONCRETE SHALL BE GRADE 20/20
2. PULLING EYE TO BE CONSTRUCTED OF M24X150 HOT DIPPED GALVANIZED STUD CHEM-SET INTO PIT FLOOR WITH M24 EYE NUT. REFER PULLING EYE DETAIL.
3. ALL REINFORCEMENT MESH F81 CENTRALLY PLACED IN WALLS.
4. ALL CONDUITS TO BE PROVIDED WITH DRAW WIRE AND CAPPED.
5. PWC TO INSPECT PRIOR TO POURING CONCRETE.
7. ALL CONDUIT TO BE ORANGE HD COMPLYING WITH AS 2053.1

NO	DESCRIPTION	DRN	DATE	CKD	APPD
3	REMOVED NOTE 6 & CU EARTH STRAP, REPLACED WITH 25mm CONDUIT. ADDED CONDUIT DETAIL & NOTE 7.	A.N.	MAY'21	A.N.	B.C.
2	TITLEBLOCK & DRAWING NUMBER FORMATTED	K.T.	FEB'19	C.C.	C.C.
1	REDRAWN IN CAD, DIMENSIONS UPDATED	C.C.	OCT'11	A.T.	S.C.
AMENDMENTS					

PowerWater
NORTHERN TERRITORY

DES	A.T.	POWER STANDARD DRAWING		
DRN	C.COPPINS	CIVIL STANDARD CABLE PITS PLAN & DETAILS		
CKD	A.T.			
APPD	A.T.	A3	DRAWING NUMBER	S02-02-06-10
SCALE	1:40			
ISSUED	JUL'11			
ALL DIM.	IN mm			
DRAFTING STANDARD TO A.S.1100		CAD PRODUCT - DO NOT AMEND MANUALLY		AMDT