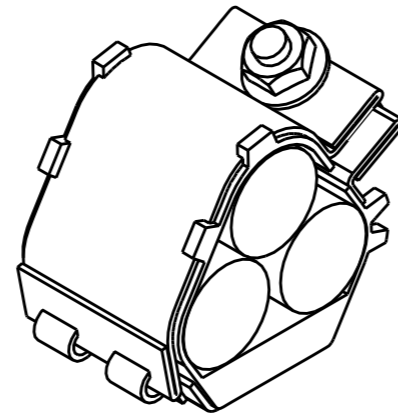
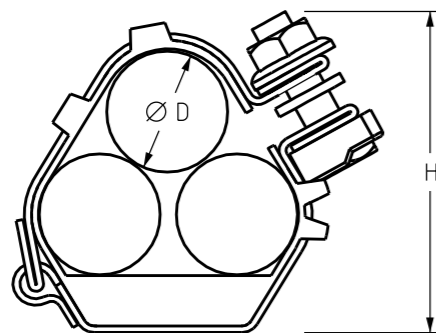


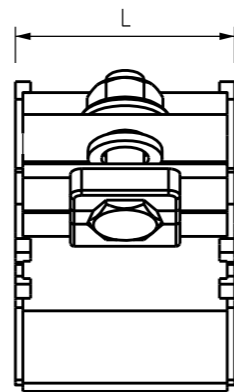
TOP VIEW
N.T.S.



ISOMETRIC VIEW
N.T.S.



FRONT VIEW
N.T.S.



SIDE VIEW
N.T.S.

NOTES:

1. MAXIMUM CLEAT SPACING SHALL BE 1500mm
2. ATTACH CABLE CLEAT TO UNISTRUT CHANNELS WITH M12 BOLTS THROUGH THE BASE OF THE CLEAT

ITEM NUMBER	ØD (mm)	H (mm)	W (mm)	L (mm)	APPLICABLE CABLES
502015	23-28mm	83mm	96mm	54mm	11KV 35sqmm
502014	27-32mm	88mm	97mm	54mm	22KV 35sqmm
502013	30-35mm	91mm	99mm	54mm	11KV 95sqmm
502012	36-42mm	100mm	124mm	54mm	11KV 240sqmm, 22KV 120sqmm
502713	44-50mm	117mm	130mm	54mm	11KV 400sqmm
502011	48-55mm	121mm	132mm	54mm	11KV 300,400sqmm, 22KV 240sqmm
502010	51-58mm	128mm	136mm	54mm	11KV 630sqmm
502009	55-62mm	135mm	160mm	54mm	11KV 800sqmm, 22KV 630sqmm
502234	84-94mm	135mm	135mm	54mm	3 CORE 11KV 400sqmm

NO	DESCRIPTION	DRN	DATE	CKD	APPD
2	ADDED VIEW'S ISOMETRIC, TOP VIEW	CC.	MAY'20	B.V.	B.V.
1	TITLEBLOCK & DRAWING NUMBER FORMATTED	K.T.	DEC'18	CC.	CC.
0	ISSUED FOR CONSTRUCTION	A.T.	JAN'15	I.B.	B.C.
AMENDMENTS					



DES	B.CHEUNG	POWER STANDARD DRAWING		
DRN	A.TAYLOR	HARDWARE, CABLE CLEATS TRIFOIL AND SINGLE CORE HV CABLES		
CKD	I.BASHIR			
APPD	B.CHEUNG	A3	DRAWING NUMBER	S01-01-04-53
SCALE	N.T.S.			
ISSUED	JAN 2015	CAD PRODUCT - DO NOT AMEND MANUALLY		
ALL DIM. IN	mm			
DRAFTING STANDARD TO A.S.1100		AMDT		