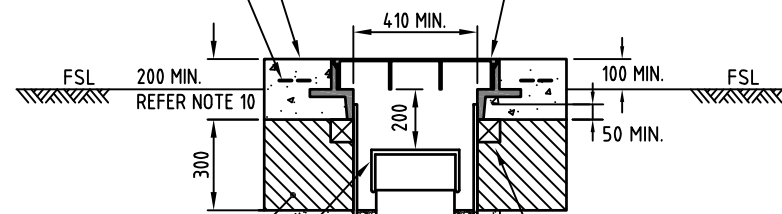


LIGHT DUTY CONCRETE ACCESS COVER SURROUND 1000 x 1000

SL81 MESH 50 MIN. COVER ALL AROUND

CLASS B DN375 DI COVER AND FRAME FOR NON TRAFFICABLE AREAS (SHALLOW FRAME STYLE SHOWN). NOT SUITABLE FOR ROAD RESERVE OR ABORIGINAL COMMUNITIES.



3% CEMENT STABILISED SAND

DN300 OR DN225 PVC LOCKING OR SCREWED CAP

DN400 OR DN375 PVC SN4 MIN OR EQUIVALENT STIFFNESS SHROUD PIPE 500 MIN. LONG

HARDWOOD, CONCRETE OR RECYCLED PLASTIC BEARERS (75 x 75 MIN.)

TYPE 2 GRAVEL/BEDDING BETWEEN DN300 SHROUD AND DN150 SEWER INSPECTION RISER

UP TO TWO DN150 PROPERTY CONNECTIONS TO RISER PERMITTED PROVIDED TOTAL LOADING IS LESS THAN 20 EP

DN300 OR DN225 PVC SN8 SO-SP (SCJ) PIPE RISER SHAFT

DN225 PVC SN8 SHORT RADIUS POST FORMED BEND SO-SP (SCJ). REFER NOTE 6.

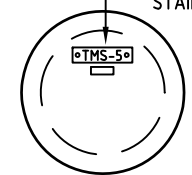
SHOWN AS PVC MAINTENANCE SHAFT CHAMBER WITH SCJ TO CONNECT TO SHORT RADIUS BEND AND PVC MAINTENANCE SHAFT RISER, REFER NOTE 1.

PIPE OVERLAY 100 MIN. REFER NOTE 11.

BEDDING OR PIPE UNDERLAY 100 MIN. REFER NOTE 11.

**ELEVATION
TERMINAL MAINTENANCE SHAFT
TYPICAL ARRANGEMENT**

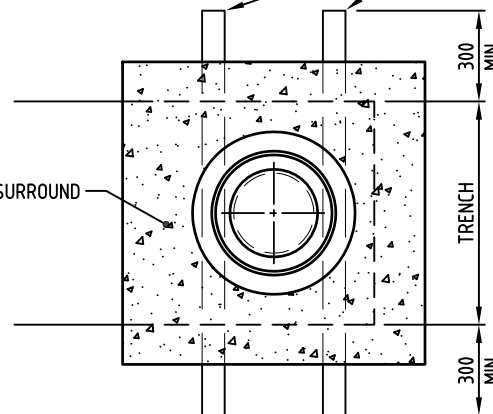
MAINTENANCE SHAFT NUMBER PLATE TO BE ATTACHED TO ACCESS CAP WITH STAINLESS STEEL SCREWS, REFER NOTE 8.



**PLAN
DETAIL OF ACCESS CAP**

NUMBER CAN BE ENGRAVED IN CONCRETE SURROUND. REFER NOTE 12.

BEARERS - HARDWOOD, CONCRETE OR RECYCLED PLASTIC (75 x 75 MIN.)



PLAN

LIGHT DUTY CONCRETE ACCESS COVER SURROUND 1000 x 1000

SL81 MESH 50 MIN. COVER ALL AROUND

DN400 OR DN375 PVC MIN. OR EQUIVALENT STIFFNESS SHROUD PIPE 300 MIN. LONG

CLASS B DN375 DI COVER AND FRAME FOR NON TRAFFICABLE AREAS (SHALLOW FRAME STYLE SHOWN). NOT SUITABLE FOR ROAD RESERVE OR ABORIGINAL COMMUNITIES.

DN300 OR DN225 LOCKING OR SCREWED CAP

3% CEMENT STABILISED SAND

HARDWOOD, CONCRETE OR RECYCLED PLASTIC BEARERS (75 x 75 MIN.)

TYPE 2 GRAVEL/BEDDING BETWEEN DN300 SHROUD AND DN150 SEWER INSPECTION RISER

100 MIN. REFER NOTE 7.

PIPE OVERLAY 100 MIN. REFER NOTE 11.

BEDDING OR PIPE UNDERLAY 100MIN. REFER NOTE 11.

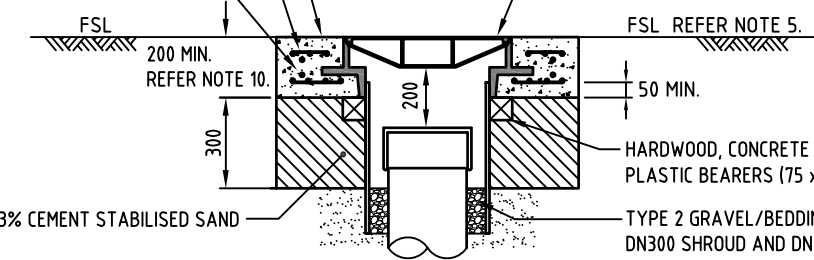
**ELEVATION
TERMINAL MAINTENANCE SHAFT
SHALLOW ARRANGEMENT**

HEAVY DUTY CONCRETE ACCESS COVER SURROUND 1000 x 1000

SL62 MESH TOP AND BOTTOM 50 MIN. COVER ALL AROUND

2 NO W6.3 RINGS AT 50 CRS.

CLASS D DN375 DI ACCESS COVER AND FRAME FOR ROAD RESERVE, FOOTPATH OR ABORIGINAL COMMUNITIES INSTALLATION OR SIMILAR



**ELEVATION
HEAVY DUTY COVER**

3% CEMENT STABILISED SAND

HARDWOOD, CONCRETE OR RECYCLED PLASTIC BEARERS (75 x 75 MIN.)

TYPE 2 GRAVEL/BEDDING BETWEEN DN300 SHROUD AND DN150 SEWER INSPECTION RISER

NOTES:

- APPROVED MAINTENANCE SHAFTS MAY BE MANUFACTURED FROM VARIOUS MATERIALS (E.G. PVC, POLYPROPYLENE) AND VARIOUS DESIGNS. AS SUCH JOINTING ARRANGEMENTS MAY VARY FROM THAT SHOWN ON THIS STANDARD DRAWING.
- FOR ALICE SPRINGS AND DARWIN, MAXIMUM DEPTH TO INVERT OF MAINTENANCE SHAFT SHALL NOT EXCEED MANUFACTURER'S RECOMMENDATION OR 4500mm, WHICHEVER IS THE LESSER FOR OTHER CENTRES, MAXIMUM DEPTH TO INVERT OF MAINTENANCE SHAFT NOT TO EXCEED 3000mm.
- CONCRETE SHALL BE GRADE N32 (32MPa, 20 MAX. AGGREGATE) COMPLYING WITH AS1379.
- PVC PIPE INSTALLATION SHALL BE IN ACCORDANCE WITH AS 2032. PIPE INSTALLATION SHALL COMPLY WITH THE PROJECT SPECIFICATION.
- IN NON TRAFFICABLE AREAS IN ABORIGINAL COMMUNITIES, THE FSL IS TO BE 100 BELOW THE TOP OF THE HEAVY DUTY ACCESS COVER SURROUND.
- USE A SHORT RADIUS POST FORMED BEND OF APPROPRIATE ANGLE TO ADJUST THE RISER SHAFT TO NOT GREATER THAN 0.5° FROM VERTICAL.
- PLACE TYPE 1 SURROUND ABOUT MAINTENANCE SHAFT RISER IN LIFTS OF THE SAME HEIGHT AS ADJACENT TRENCH BACKFILL AND USE TEMPORARY SHIELDS SPANNING THE TRENCH TO SEPARATE SURROUND AND TRENCH BACKFILL.
- MAXIMUM VERTICAL DEFLECTION AT MAINTENANCE SHAFT OUTLET IS ONE DEGREE UNLESS OTHERWISE PERMITTED BY MANUFACTURER.
- ENGRAVE MAINTENANCE SHAFT NUMBER ON 150 x 50 PLASTIC EXTERIOR ENGRAVING LAMINATE. LAMINATE TO BE 1.5mm THICK WHITE OVER BLACK. LETTERS TO BE 30mm HIGH. ENGRAVING TO BE 4mm WIDE.
- DEPTH OF CONCRETE FOR SURROUND TO SUIT HEIGHT OF CAST IRON MAINTENANCE SHAFT SURFACE ACCESS COVER AND FRAME.
- PROVIDE PIPELINE UNDERLAY AND OVERLAY IN ACCORDANCE WITH THE PROJECT SPECIFICATION.
- FOR CAST IN-SITU CONCRETE SURROUNDS, MAINTENANCE SHAFT NUMBER MAY BE ENGRAVED INTO SURROUND, MINIMUM 50mm LETTERING (TMS + NUMBER).
- REFER W2-2-07 FOR ALTERNATIVE ACCESS COVER TYPE.
- TERMINAL MAINTENANCE SHAFT NOT PERMITTED FOR USE AS A SEWER DROP.

2	GENERAL AMENDMENTS 2018.	P.W.	SEPT '18	I.L.	D.C.
1	NOTE 15 ADDED. TITLE CHANGED.	RGI	AUG '08	R.J.	J.P.
NO	DESCRIPTION	DRN	DATE	CKD	APPD
	AMENDMENTS				



DES	-	SEWERAGE STANDARD DRAWING	
DRN	K.I.	CONNECTIONS	
CHK	R.J.	TERMINAL MAINTENANCE SHAFT AND	
APPD	J.P.	PROPERTY CONNECTION DETAIL	
SCALE	N.T.S.	A3	DRAWING NUMBER W2-1-06
ISSUED	JUN '07		2
ALL DIM. IN mm			
DRAFTING STANDARD TO A.S.1100		CAD PRODUCT - DO NOT AMEND MANUALLY	